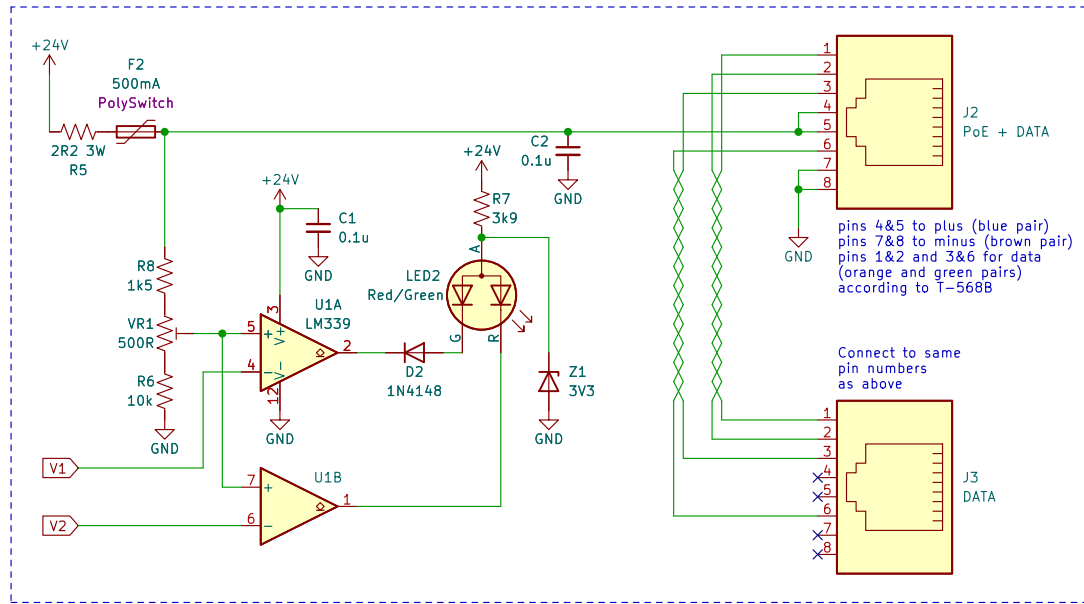


Unused comparator sections

Some Raspberry Pi power data from the Net:

Pi-1B consumes about 0.7W when idle.
 Pi-3 consumes about 3.6W when maxed out.
 Pi-4 consumes about 3-6W depending on load.

Duplicate for each PoE injector port



pins 4&5 to plus (blue pair)
 pins 7&8 to minus (brown pair)
 pins 1&2 and 3&6 for data
 (orange and green pairs)
 according to T-568B

Connect to same
 pin numbers
 as above

Multiport Passive PoE Injector for 10/100 Ethernet
 with indicators for power and short circuit trip.
 Antti J. Niskanen / OH2GVB

Sheet: /
 File: pi_fake_poe.kicad_sch

Title:

Size: A4 Date:
 KiCad E.D.A. kicad 6.0.11+dfsg-1-bpo11+1

Rev:
 Id: 1/1