

RENAULT

7 Trim and upholstery

71A BODY INTERIOR TRIM

72A SIDE OPENING ELEMENT LINING

73A NON-SIDE OPENING ELEMENT LINING

75A FRONT SEAT FRAMES AND RUNNERS

76A REAR SEAT FRAMES AND RUNNERS

77A FRONT SEAT TRIM

78A REAR SEAT LINING

X84, and B84 or C84 or G84 or S84

77 11 318 162

OCTOBER 2004

Edition Anglaise

"The repair methods given by the manufacturer in this document are based on the technical specifications current when it was prepared.

The methods may be modified as a result of changes introduced by the manufacturer in the production of the various component units and accessories from which his vehicles are constructed."

All copyrights reserved by Renault.

The reproduction or translation in part of whole of the present document, as well as the use of the spare parts reference numbering system, are prohibited without the prior written consent of Renault.

Mégane II - Section 7

Contents

	Page			
71A	BODY INTERIOR TRIM	72A	SIDE OPENING ELEMENT LINING	
	A-pillar trim: Removal - Refitting	71A-1	Front side door trim: Removal - Refitting 72A-1	
	B-pillar lower trim: Removal - Refitting	71A-3	Front door flap: Removal - Refitting 72A-7	
	B-pillar upper trim: Removal - Refitting	71A-4	Rear side door trim: Removal - Refitting 72A-10	
	Front door sill lining: Removal - Refitting	71A-7	Rear door flap: Removal - Refitting 72A-14	
	Rear door sill lining: Removal - Refitting	71A-9		
	C-pillar lower trim: Removal - Refitting	71A-10	73A	NON-SIDE OPENING ELEMENT LINING
	Rear panel trim: Removal - Refitting	71A-11		Bonnet soundproofing: Removal - Refitting 73A-1
	Rear quarter panel trim: Removal - Refitting	71A-13		Tailgate lining: Removal - Refitting 73A-2
	Rear end panel lining: Removal - Refitting	71A-18	75A	FRONT SEAT FRAMES AND RUNNERS
	Rear wheel arch lining: Removal - Refitting	71A-19		Complete front seat: Removal - Refitting 75A-1
	Headlining: Removal - Refitting	71A-20		Front seat frame: Removal - Refitting 75A-3
	Luggage compartment carpet: Removal - Refitting	71A-32		Front seat runner: Removal - Refitting 75A-13
	Floor carpet: Removal - Refitting	71A-33	76A	REAR SEAT FRAMES AND RUNNERS
	Rear load compartment lining: Removal - Refitting	71A-38		Rear bench seatback: Removal - Refitting 76A-1
				Rear bench seatback locking: Removal - Refitting 76A-3

Contents

76A REAR SEAT FRAMES AND RUNNERS

Rear bench seat base: Removal - Refitting	76A-5
Rear bench seatback frame 1/3 and 2/3: Removal - Refitting	76A-6

77A FRONT SEAT TRIM

Front seatback trim: Removal - Refitting	77A-1
Front seat base trim: Removal - Refitting	77A-6

78A REAR SEAT LINING

1/3 and 2/3 rear bench seat seatback trim: Removal - Refitting	78A-1
1/3 and 2/3 rear bench seat trim: Removal - Refitting	78A-4
Rear bench seat single unit seatback trim: Removal - Refitting	78A-5
Rear bench seat single unit seat base trim: Removal - Refitting	78A-8

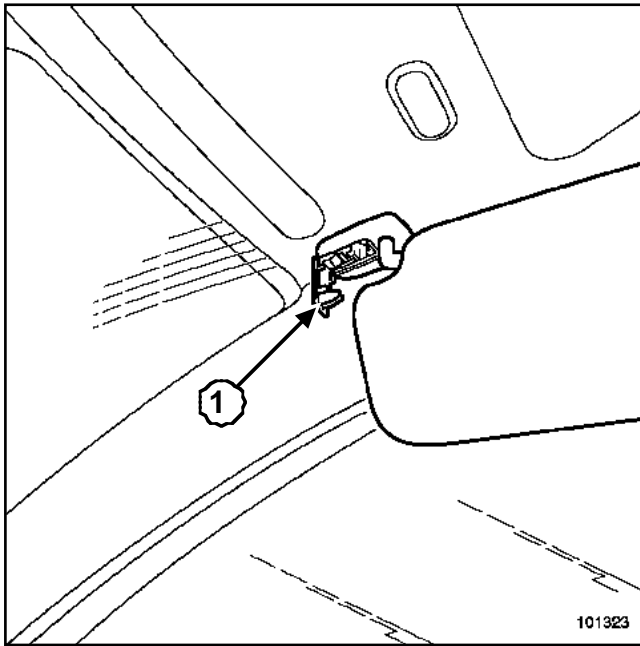
BODY INTERIOR TRIM

A-pillar trim: Removal - Refitting

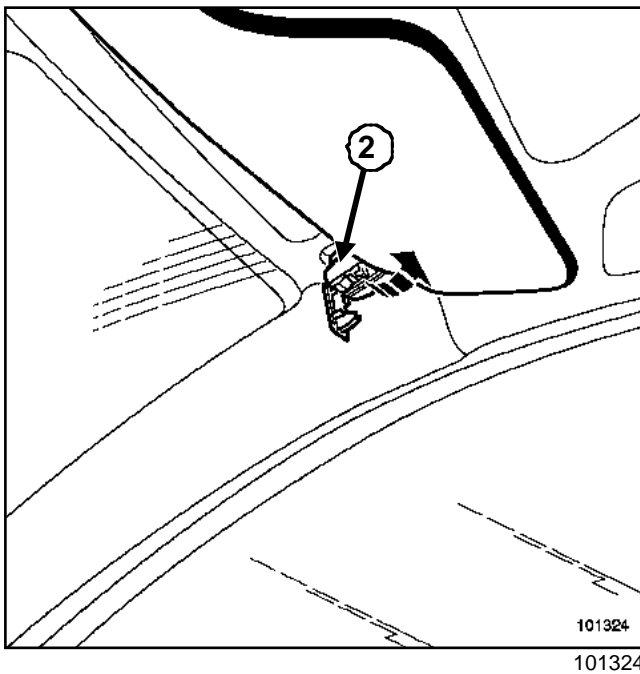
71A

B84 or C84

REMOVAL



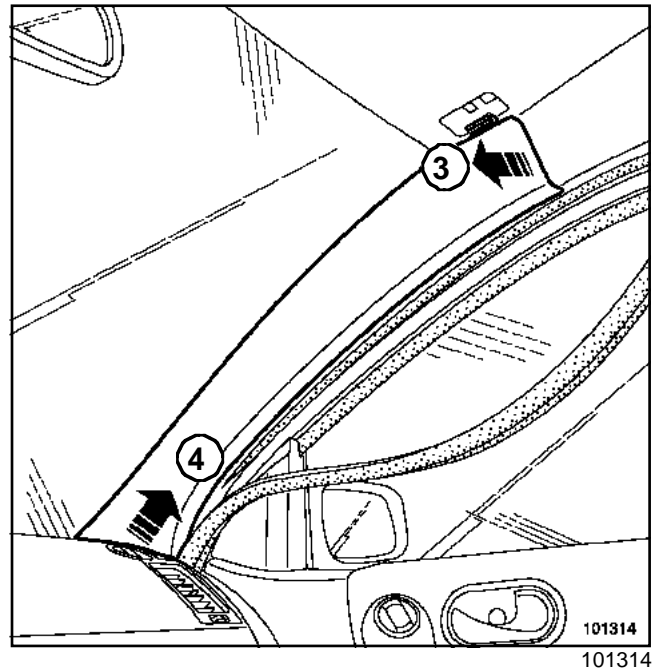
- Unclip the mounting clip (1).



- Disconnect:
 - the clip (2),
 - the sun visor.

WARNING

The frame seals should be handled carefully to avoid any risk of damage or marking.



- Partially remove the seal.
- Unclip the trim (3) and (4).

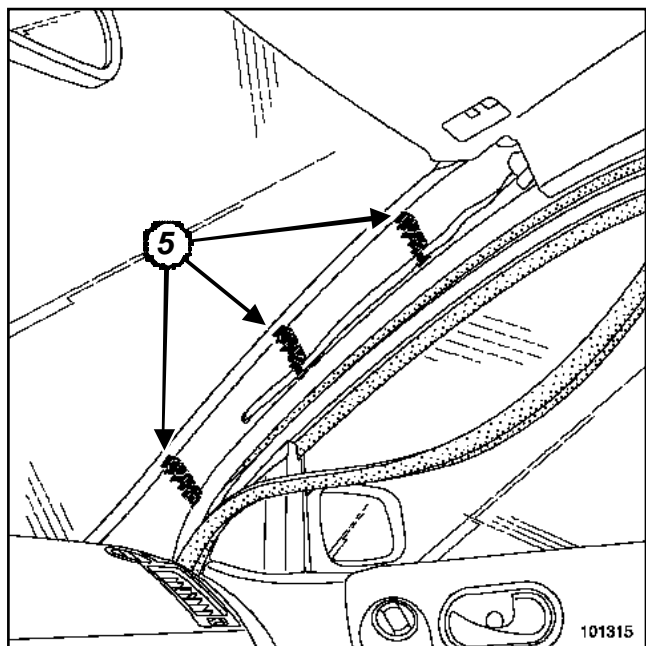
BODY INTERIOR TRIM

A-pillar trim: Removal - Refitting

71A

B84 or C84

REFITTING



- Check the condition of clips (5) (part number **82 00 100 314**) before refitting the trim.

WARNING

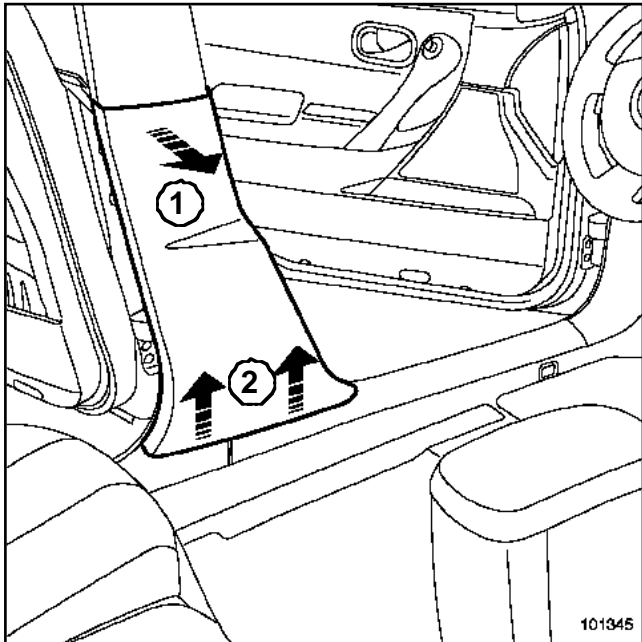
The Carminat aerial wire is attached to the left-hand A-pillar mounting clips.

- Proceed in the reverse order to removal.

B84

REMOVAL

- Move the front seat forward.



- Unclip trim upper section (1).
- Remove trim (2).

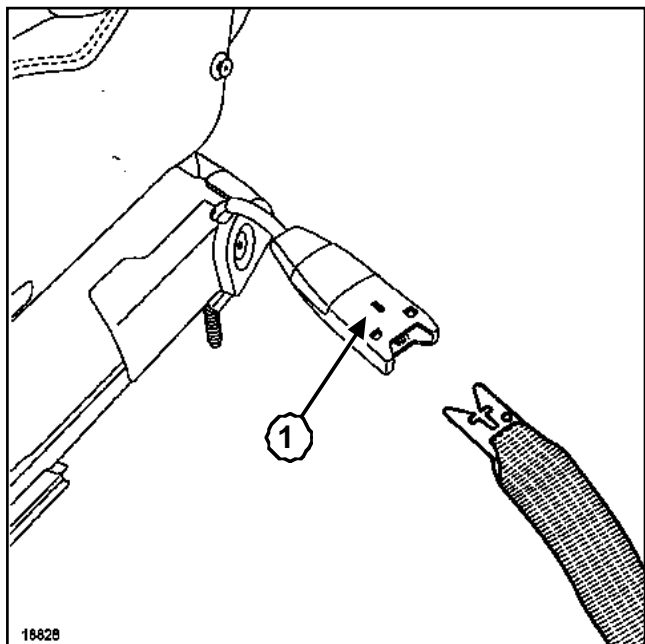
REFITTING

- Proceed in the reverse order to removal.

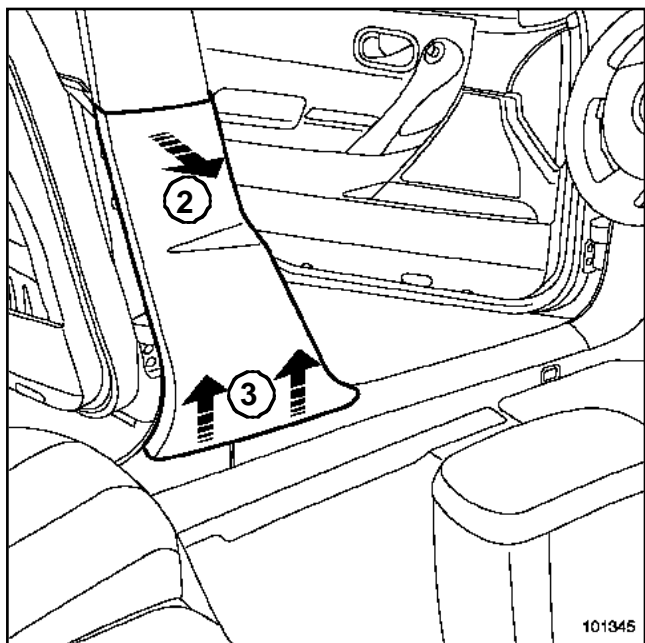
B84

REMOVAL

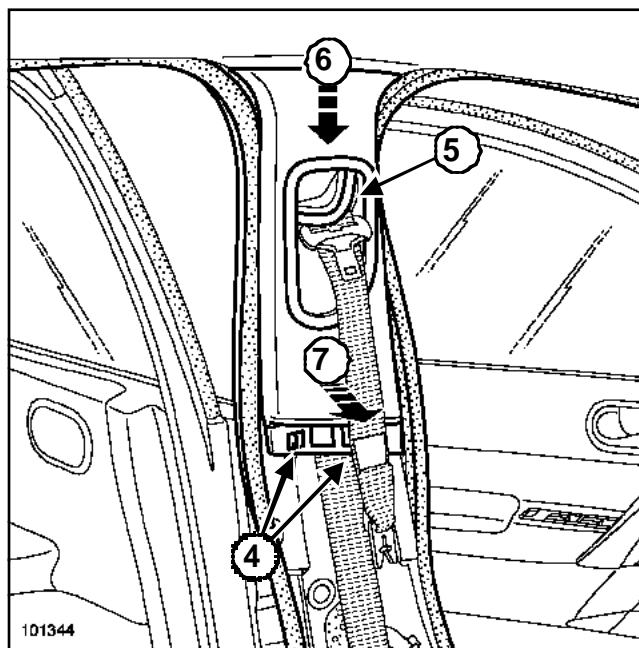
- Move the front seat forwards.



- Undo the seat belt by pressing catch (1).



- Unclip the upper section of the trim (2).
- Remove trim (3).



- Partially remove the door seals.
- Unclip the lower retaining clips (4).
- Remove:
 - the trim (6) and (7),
 - the seat belt strap via the opening (5).

REFITTING

- Proceed in the reverse order to removal.

BODY INTERIOR TRIM

B-pillar upper trim: Removal - Refitting

71A

C84

Tightening torques

seat belt rail mounting bolt	21 Nm
------------------------------	-------

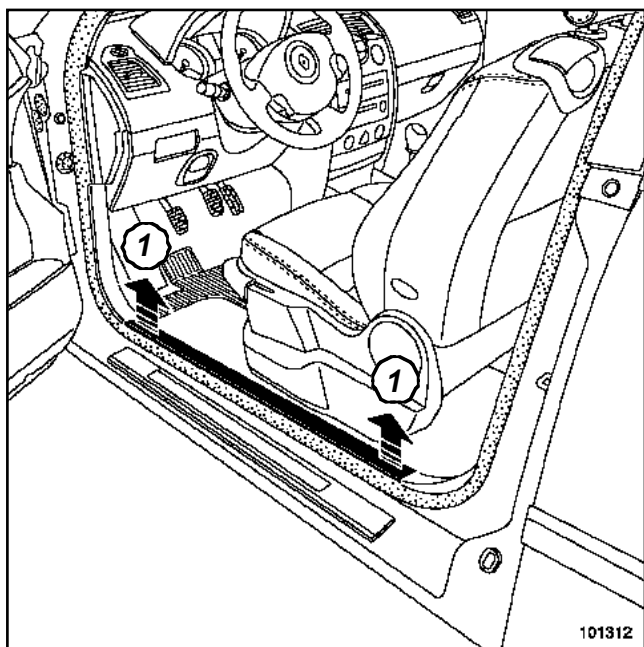
REMOVAL

□

IMPORTANT

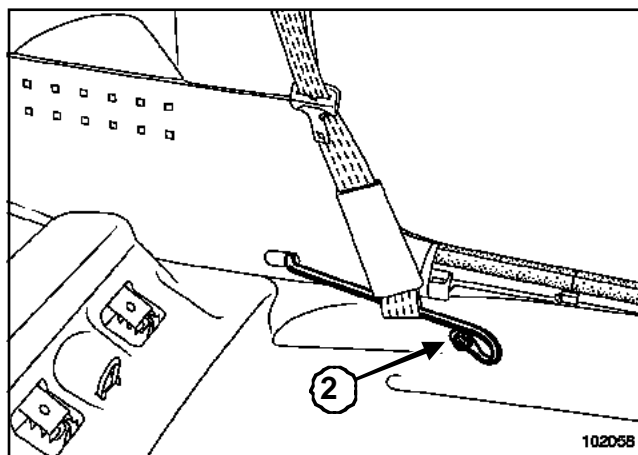
Before carrying out any work on a safety system, be sure to lock the airbag computer using the diagnostic tools (see **88C, Airbags and pretensioners, Computer locking procedure**). When this function is activated, all the trigger lines are inhibited and the airbag warning light on the instrument panel lights up continuously (ignition on).

□ Move the front seat forwards.



101312

□ Unclip the sill trim on the front doors (1).

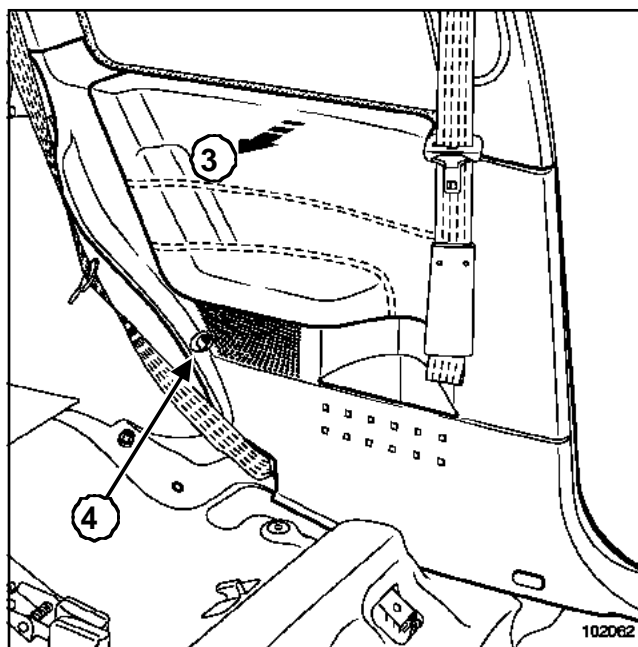


102058

□ Remove:

- the bench seat seat base,
- rail mounting bolt (2).

□ Remove the strap retaining rail.



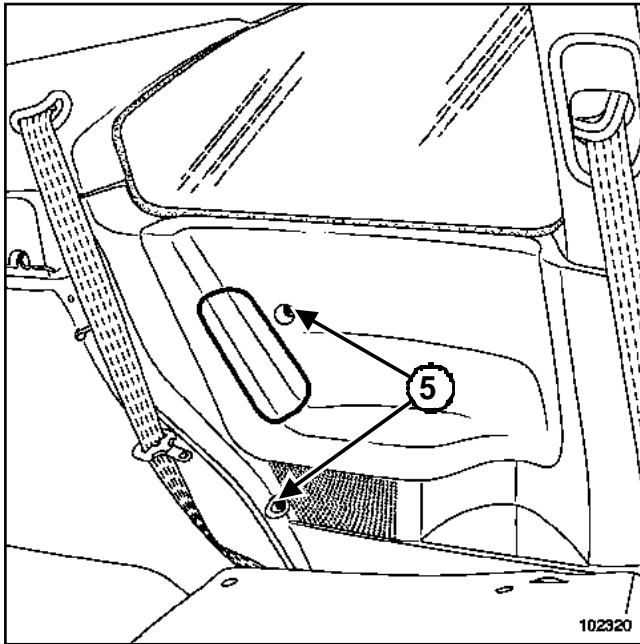
102062

□ Remove bolt (4).

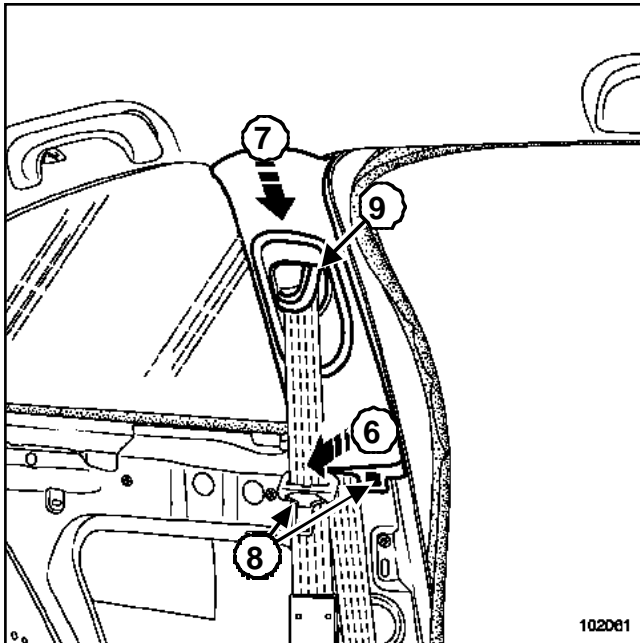
□ Unclip trim (3).

C84

For a vehicle fitted with rear lateral airbags



- Remove both bolts (5).
- Unclip the rear wing trim.



- Partially remove the door seal.
- Unclip the lower retaining clips (8).
- Remove:
 - trim (6) and (7),
 - the seat belt strap through the opening (9).

REFITTING

- Proceed in the reverse order to removal.
- Tighten to torque the **seat belt rail mounting bolt (21 Nm)**.

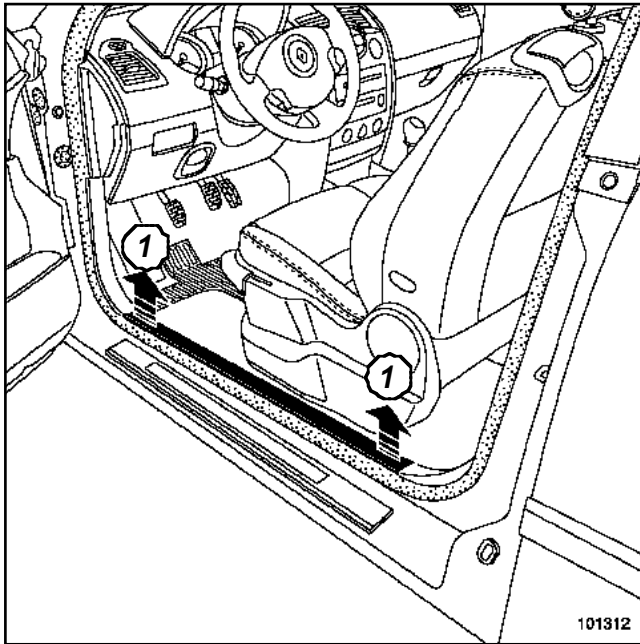
BODY INTERIOR TRIM

Front door sill lining: Removal - Refitting

71A

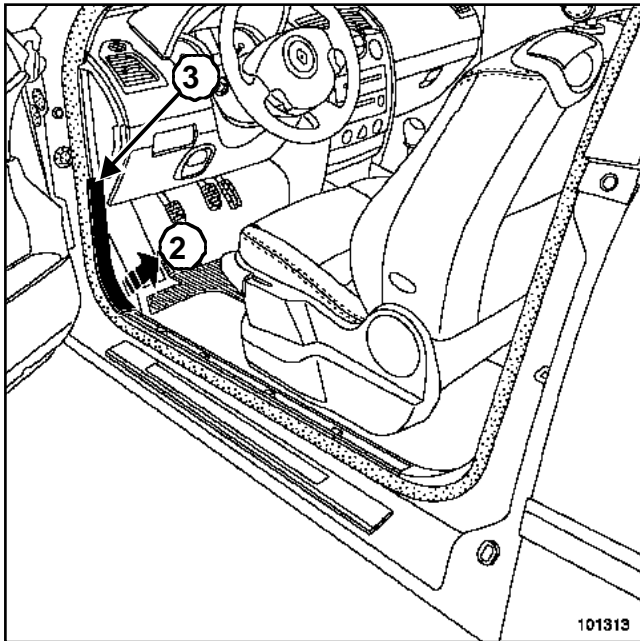
C84

REMOVAL



101312
101312

- Unclip trim (1).



101313
101313

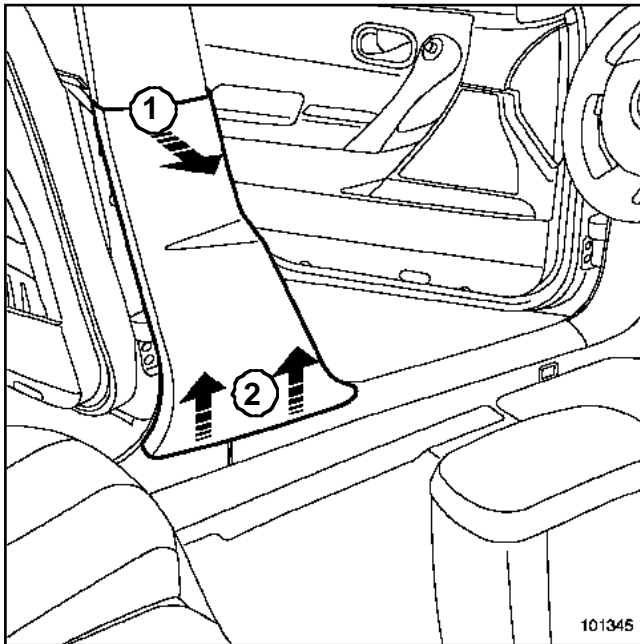
- Remove the dashboard side face.
- Unclip:
 - clip (3),
 - trim (2).

REFITTING

- Proceed in the reverse order to removal.

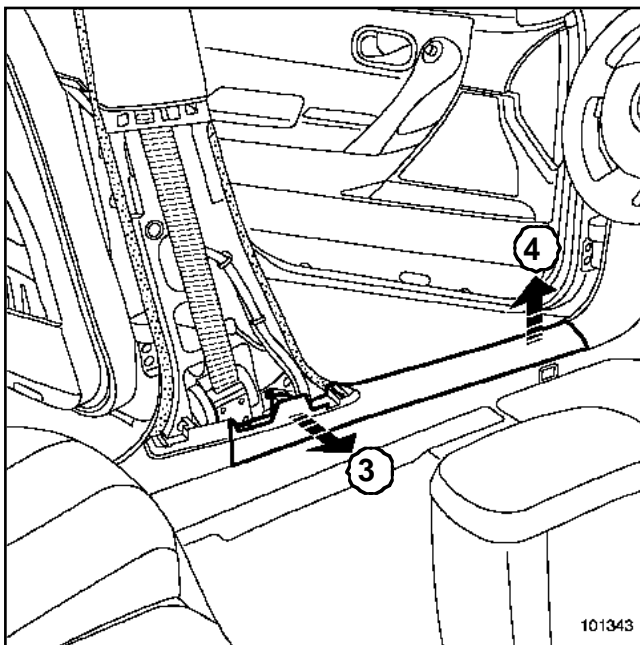
B84

REMOVAL



101345

- Unclip the trim in the direction of (1) and (2).



101343

- Unclip the trim in the direction of (3) and (4).

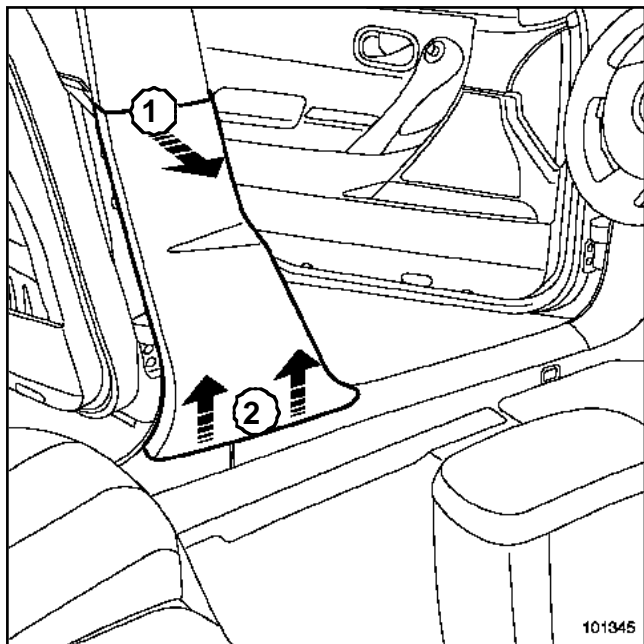
REFITTING

- Proceed in the reverse order to removal.

B84

REMOVAL

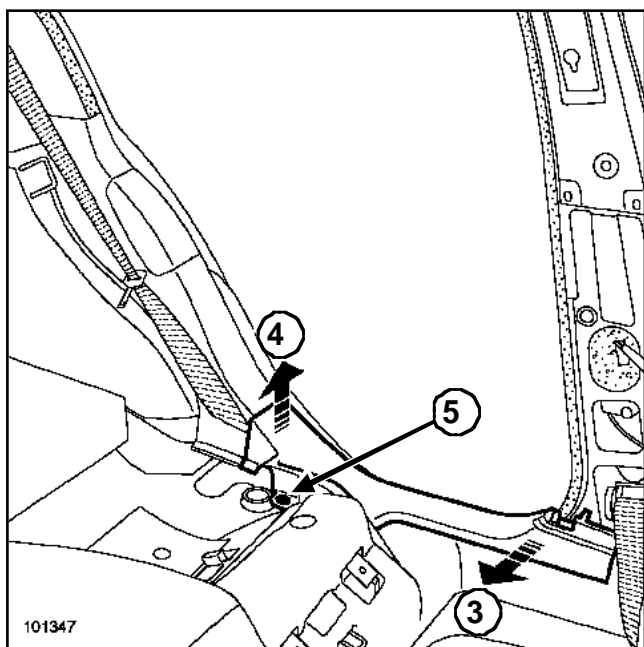
- Move the front seat forwards.



101345

101345

- Unclip the upper section of trim (1).
- Remove trim (2).



101347

101347

- Remove:
 - the bench seat seat base,
 - clip (5) using a pair of unclipping pliers.
- Unclip trim (3) and (4).

REFITTING

- Proceed in the reverse order to removal.

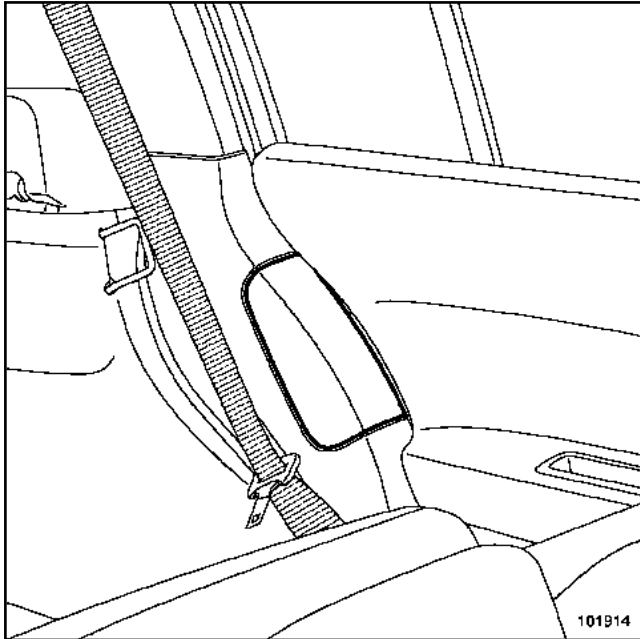
BODY INTERIOR TRIM

C-pillar lower trim: Removal - Refitting

71A

B84

REMOVAL



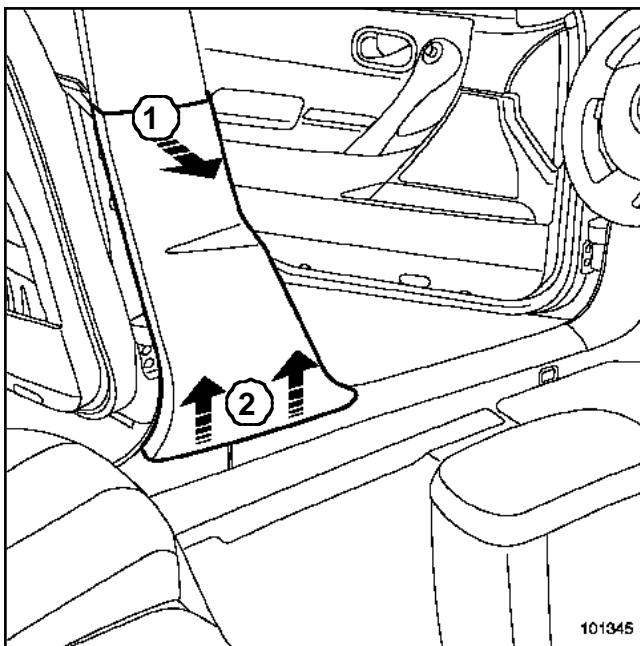
101914



IMPORTANT

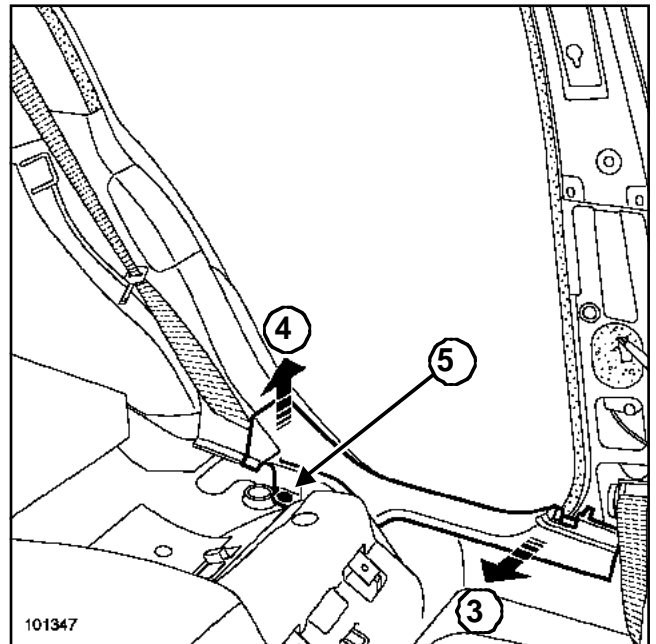
Before starting any work on the airbag system, lock the computer using diagnostic tools ((see **8, Electrical equipment**)).

- Move the front seat forwards.



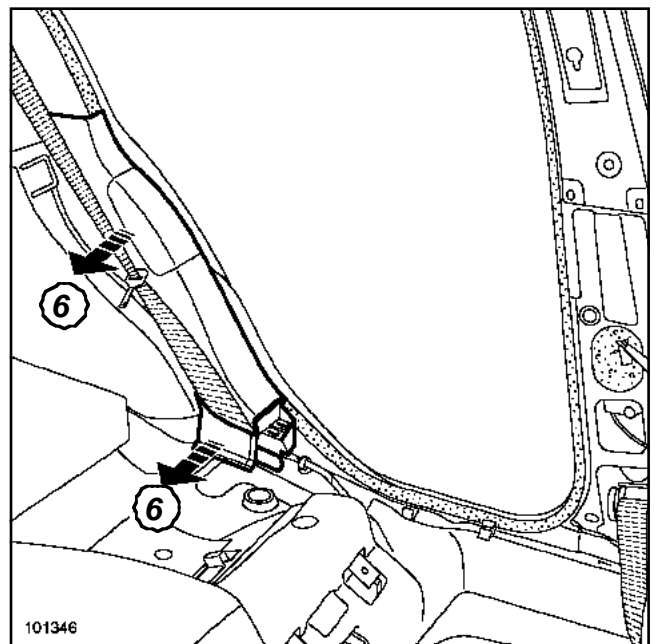
101345

- Unclip the upper section of trim (1).
□ Remove trim (2).



101347

- Remove:
- the bench seat seat base,
 - clip (5) using a pair of unclipping pliers.
- Unclip the trim (3) and (4).



101346

- Unclip the trim (6).

REFITTING

- To refit, proceed in the reverse order of removal.

BODY INTERIOR TRIM

Rear panel trim: Removal - Refitting

71A

C84

Equipment required

diagnostic tool

Tightening torques

seat belt rail mounting
bolt

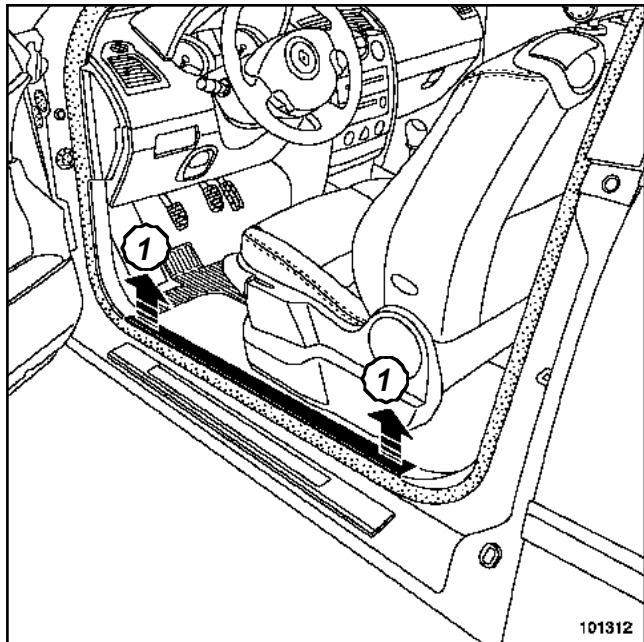
21 Nm

REMOVAL

IMPORTANT

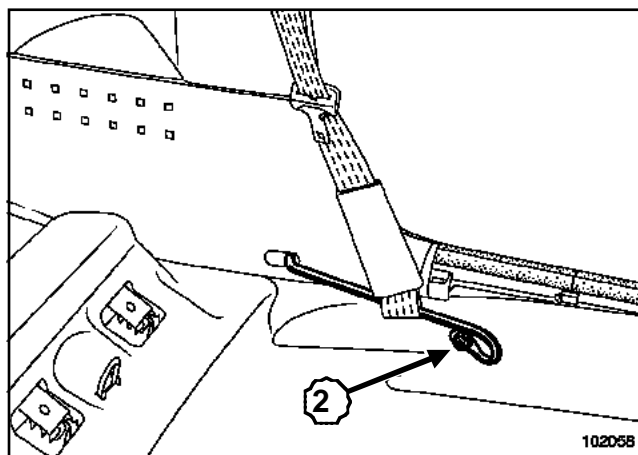
Before carrying out any work on a safety system component, be sure to lock the airbag computer using **diagnostic tool** (refer to **88C, Airbags and pretensioners, airbag computer locking procedure**).

When this function is activated, all the trigger lines are inhibited and the airbag warning light on the instrument panel lights up continuously (ignition on).



101312

Unclip the sill lining on the front doors (1).

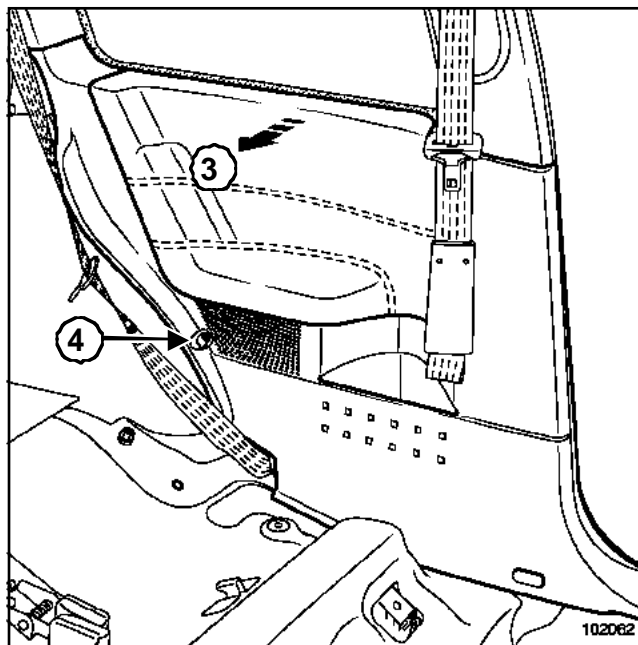


102058

Remove:

- the bench seat seat base,
- bolt (2).

Remove the strap retaining rail.



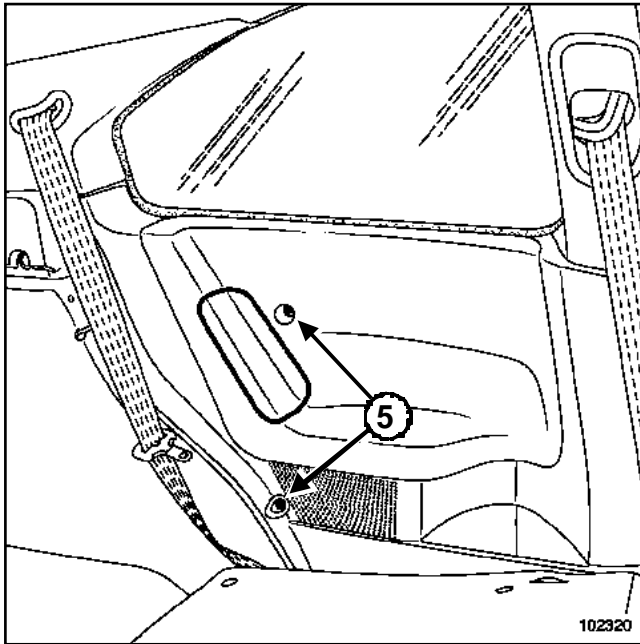
102062

Remove bolt (4).

Unclip the trim (3).

C84

For a vehicle fitted with rear lateral airbags



102320
102320

- Remove both bolts (5).
- Unclip the trim.

REFITTING

- Proceed in the reverse order to removal.
- Tighten to torque the **seat belt rail mounting bolt (21 Nm)**.

Rear quarter panel trim: Removal - Refitting

B84

Equipment required

diagnostic tool

Tightening torques

rear seat belt lower mounting bolts	21 Nm
-------------------------------------	-------

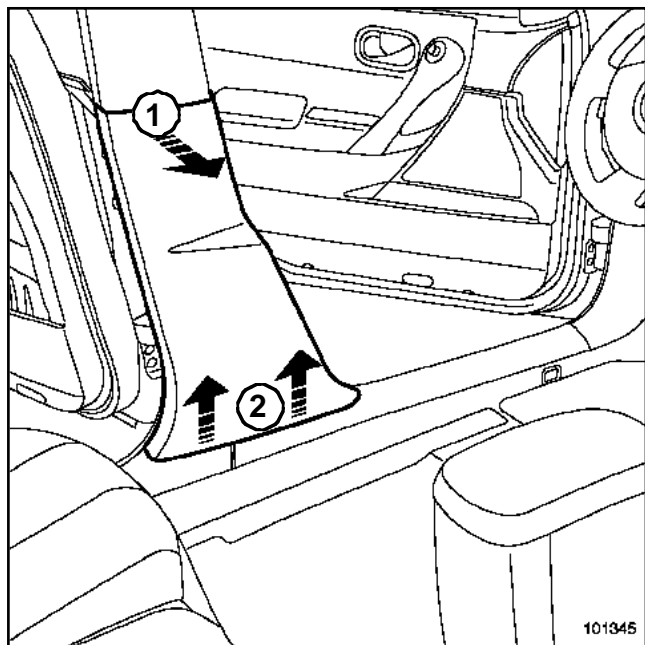
REMOVAL

□

IMPORTANT

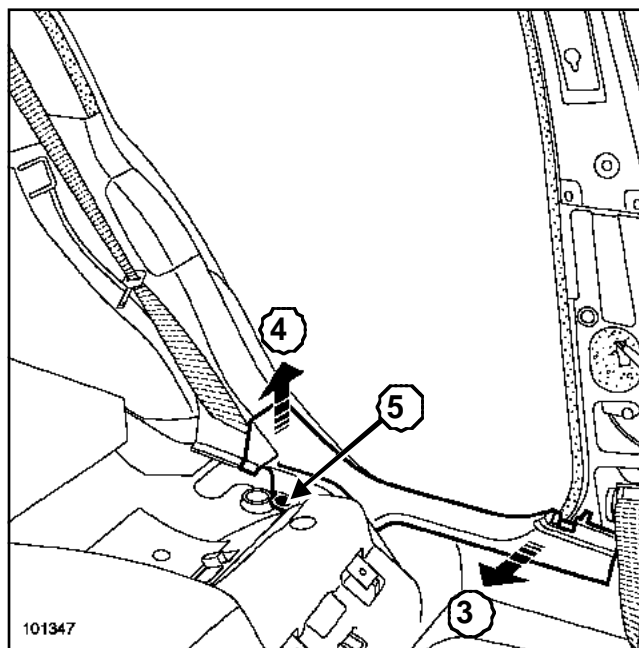
For a vehicle equipped with rear lateral airbags, be sure to lock the airbag computer using the **diagnostic tool** before removing the trim (see **88C, Airbags and pretensioners, Airbag locking procedure**).

□ Move the front seat forwards.



□ Unclip the upper section of the trim (1).

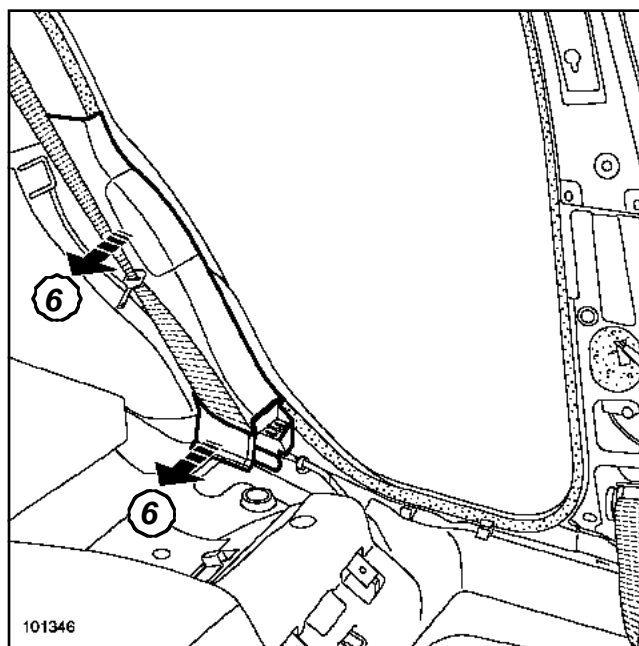
□ Remove the trim (2).



□ Remove:

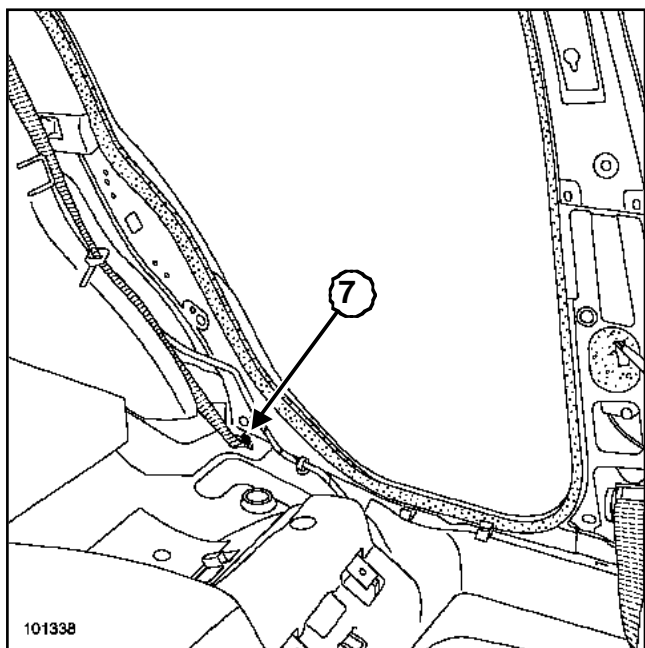
- the bench seat seat base,
- clip (5) using a pair of unclipping pliers.

□ Unclip the trim (3) and (4).

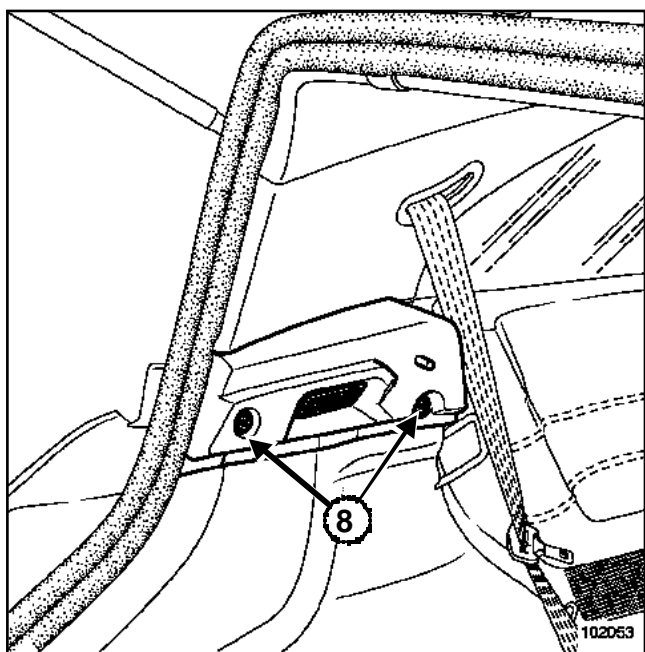


□ Unclip the trim (6).

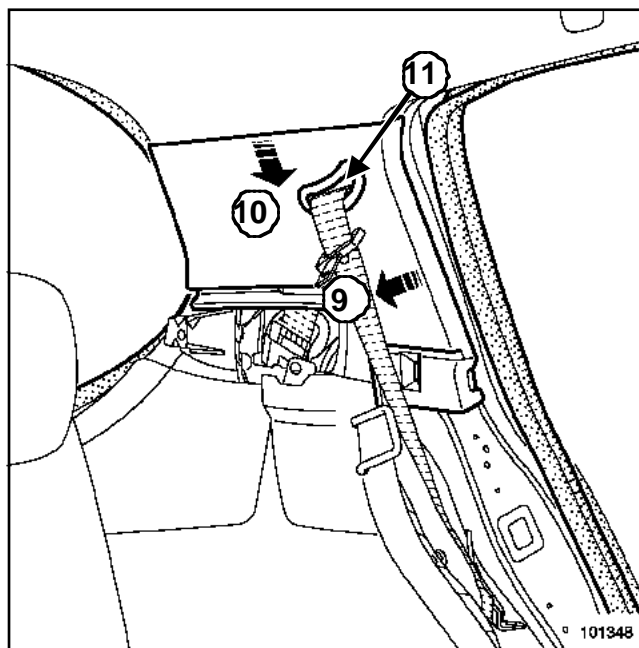
B84



- Remove seat belt lower mounting bolt (7).



- Remove bolts (8).
- Partially remove the parcel shelf.
- Disconnect the boot lighting connector.



- Unclip the trim (9).
- Remove:
 - the trim (10),
 - the seat belt strap via opening (11).

REFITTING

- Proceed in the reverse order to removal.
- Tighten to torque the rear seat belt lower mounting bolts (21 Nm).

Rear quarter panel trim: Removal - Refitting

C84

Equipment required

diagnostic tool

Tightening torques

seat belt mounting bolts	21 Nm
seat belt rail mounting bolts	21 Nm

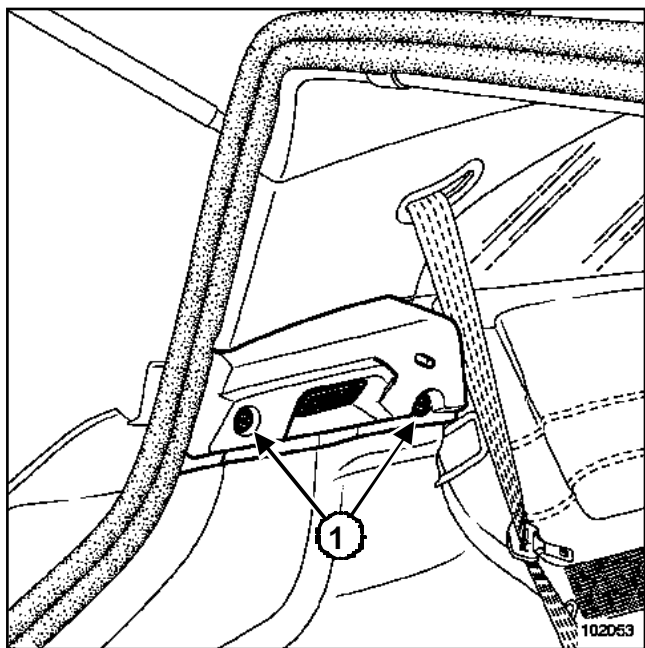
REMOVAL

□

IMPORTANT

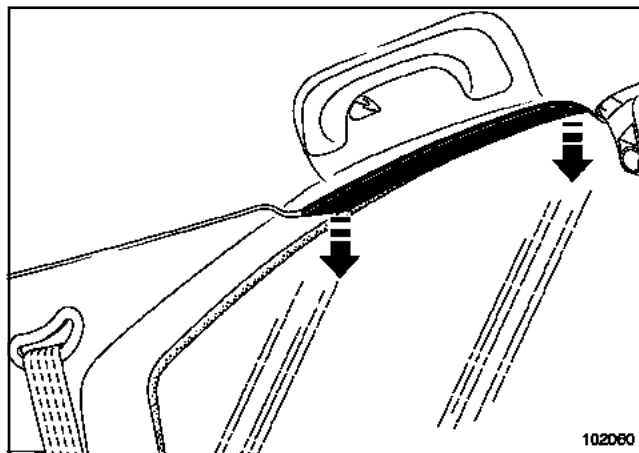
For a vehicle equipped with rear lateral airbags, be sure to lock the airbag computer using the **diagnostic tool** before removing the rear wing trim (see **88C, Airbags and pretensioners, Airbag computer locking procedure**).

- Remove the rear parcel shelf.



102053

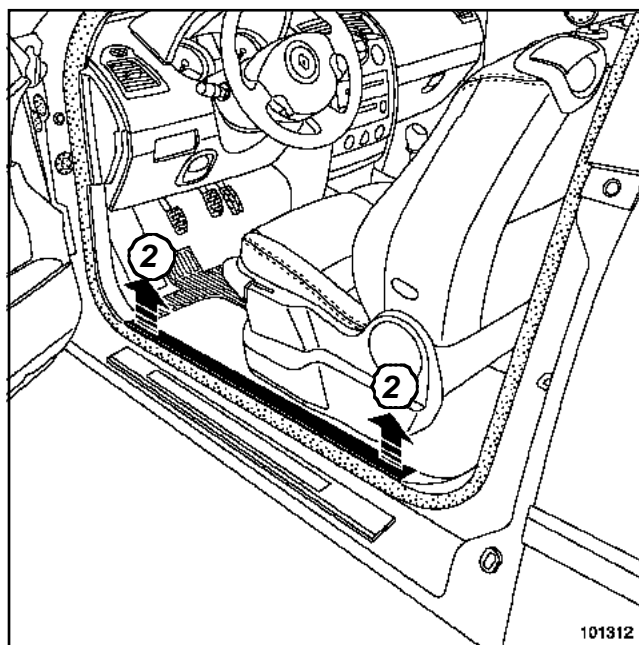
- Remove bolts (1).
 □ Partially remove the parcel shelf.
 □ Disconnect the boot lighting connector.



102060

102060

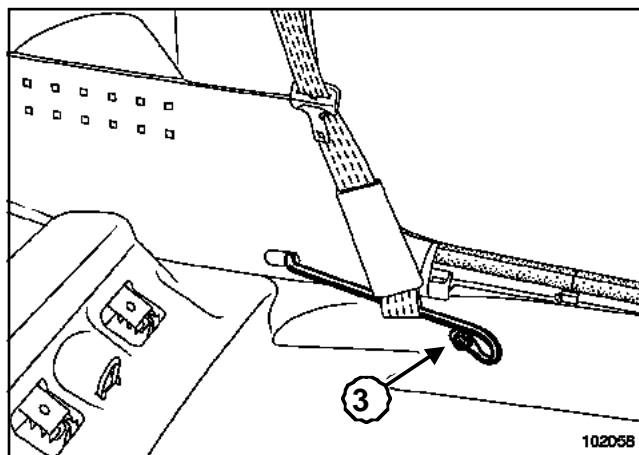
- Unclip the upper trim.



101312

101312

- Unclip front sill trim (2).



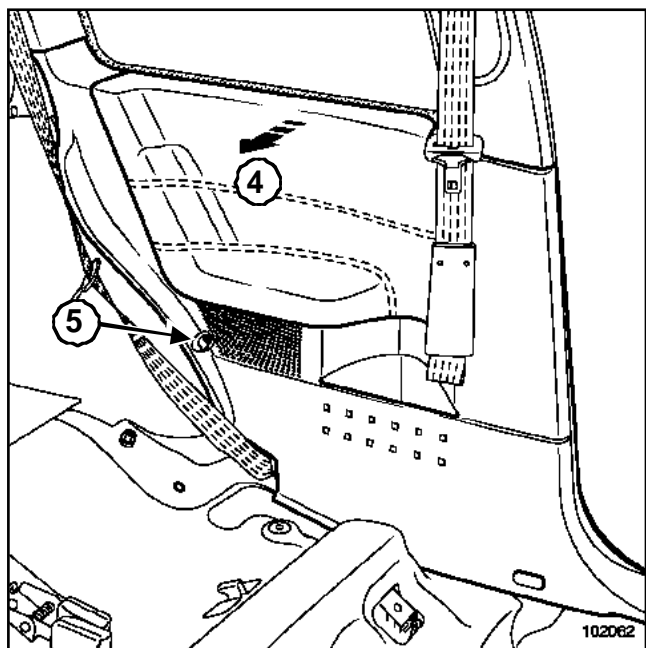
102058

102058

- Remove seat belt rail bolt (3).

Rear quarter panel trim: Removal - Refitting

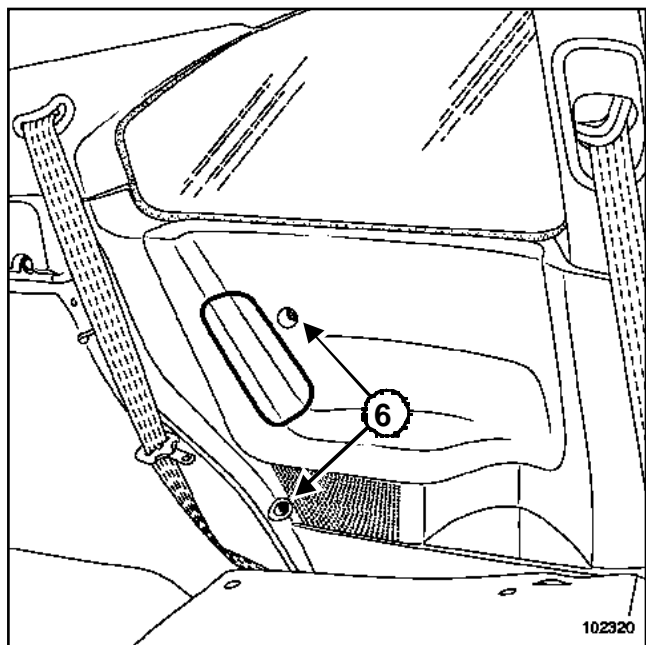
C84



102062

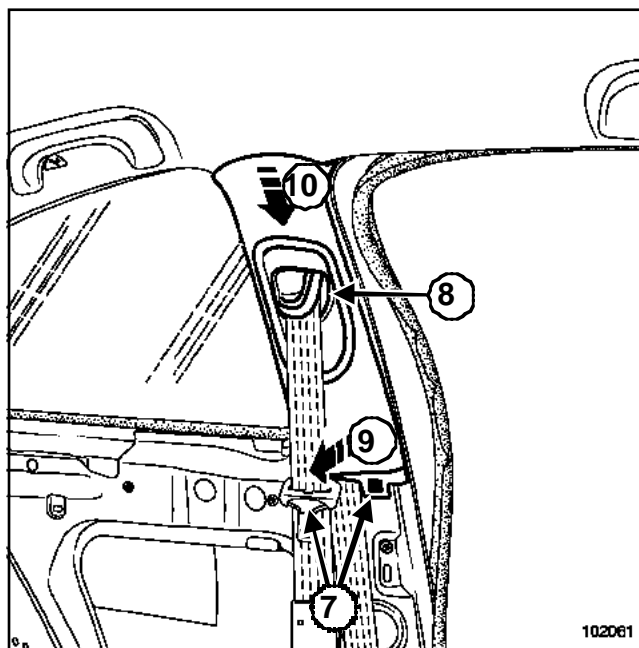
- Remove bolt (5).
- Unclip rear wing trim (4).

For a vehicle fitted with rear lateral airbags



102320

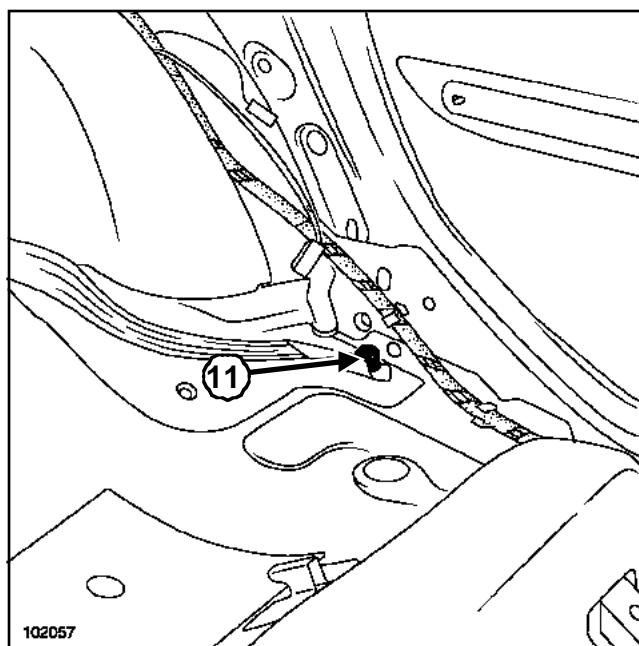
- Remove both bolts (6).
- Unclip the rear wing trim.



102061

102061

- Partially remove the door seal.
- Unclip lower mounting clips (7).
- Remove:
 - the trim (9) and (10),
 - the seat belt strap through the opening (8).

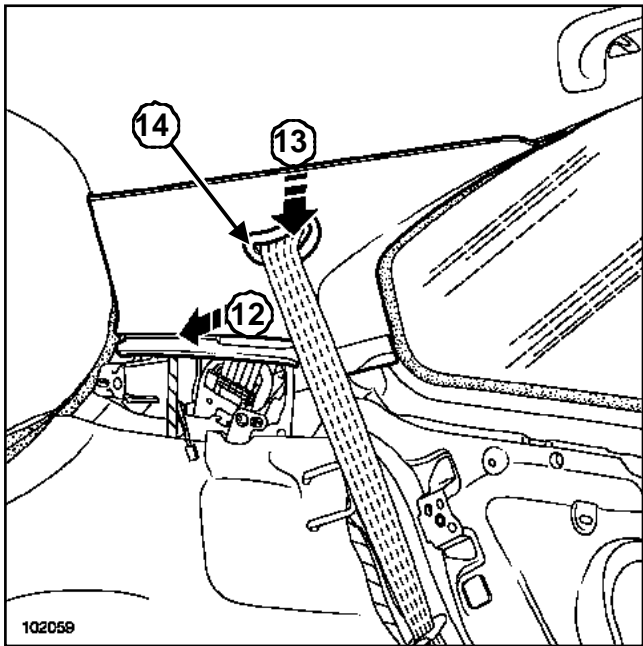


102057

102057

- Remove seat belt lower mounting bolt (11).

C84



102059

- Partially remove the luggage compartment seal.
- Unclip the rear quarter panel trim (12).
- Remove:
 - the trim (13),
 - the seat belt strap via opening (14).

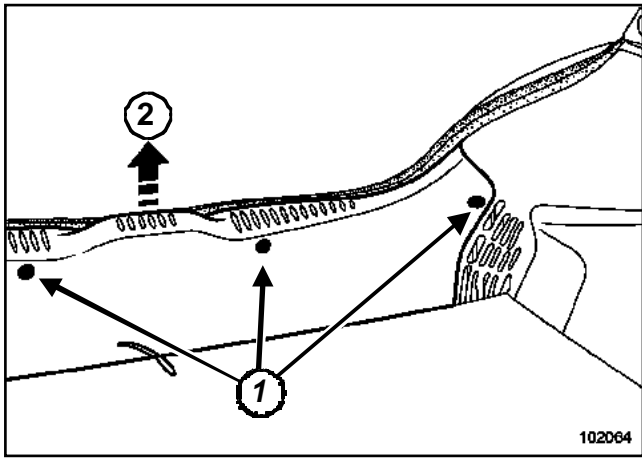
REFITTING

- Proceed in the reverse order to removal.
- Tighten to torque:
 - seat belt mounting bolts (21 Nm),
 - seat belt rail mounting bolts (21 Nm).

Rear end panel lining: Removal - Refitting

B84 or C84

REMOVAL



- Remove:
 - the bolts (1),
 - the striker panel trim.
- Remove trim (2).

REFITTING

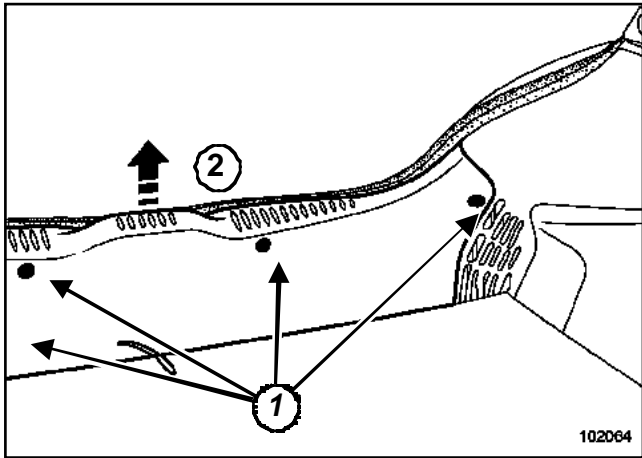
- Proceed in the reverse order to removal.

Rear wheel arch lining: Removal - Refitting

B84 or C84

REMOVAL

- Remove the rear parcel shelf.



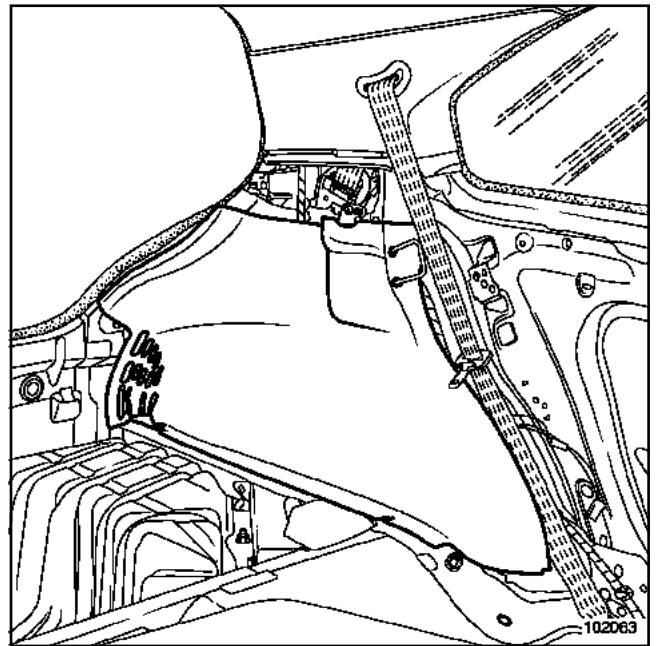
- Remove:
 - the bolts (1),
 - the striker panel trim.
- Remove trim (2).

I - SPECIAL NOTES ON THE 5-DOOR VERSION

- Remove the upper trim from the rear inner sill (see 71A, **Body internal trims, Rear inner sill upper trim**).

II - SPECIAL NOTES ON THE 3-DOOR VERSION

- Remove the seat panel trim (see 71A, **Body internal trims, Rear panel trim**).



- Partially remove the luggage compartment seal.
- Pull out the trim from the wheel arch.

REFITTING

- Proceed in the reverse order to removal.

BODY INTERIOR TRIM

Headlining: Removal - Refitting

71A

B84

Special tooling required

Car. 1597 Lever for removing rear turning handle clips

Equipment required

diagnostic tool

Tightening torques

rear seat belt lower mounting bolts **21 Nm**

REMOVAL

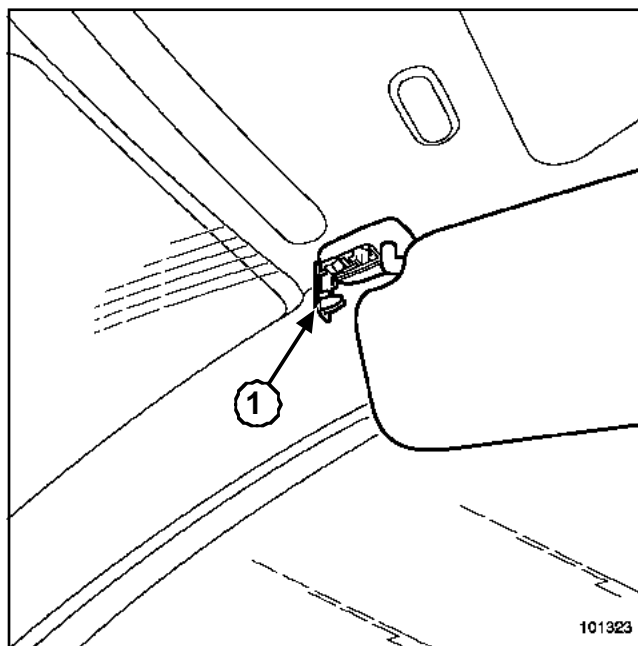
IMPORTANT

Before carrying out any work on or near a safety system component, lock the airbag computer using the **diagnostic tool**. When this function is inhibited, the instrument panel warning light is lit (ignition on).

IMPORTANT

It is not permitted to handle pyrotechnic systems (airbags and pretensioners) near to a source of heat or flame: there is a risk of the airbags or pretensioners being triggered.

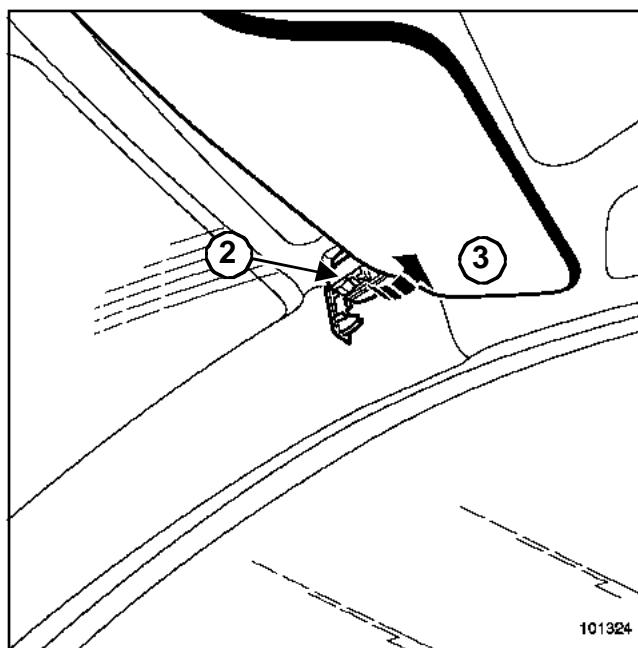
- Lock the airbag computer using the **diagnostic tool** (see **MR 364 Mechanical, 88C, Airbag and pretensioners, Precautions for repair**).
- Disconnect the battery (see **MR 364 Mechanical, 80A Battery, Battery: Removal - Refitting**).



101323

101323

- Unclip mounting clip (1)



101324

101324

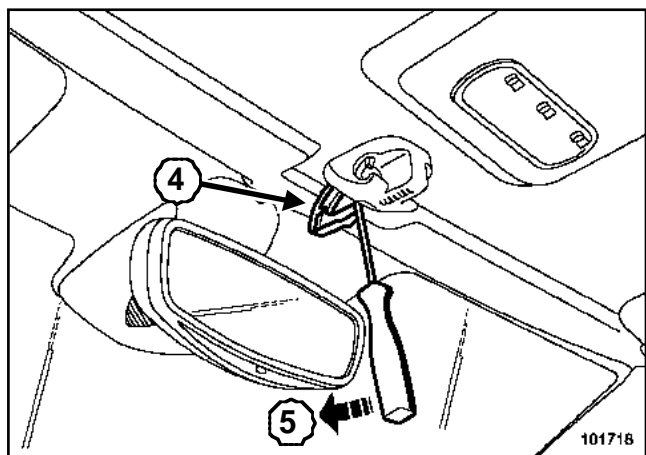
- Remove:
 - the clip (2),
 - the sun visor (3).

BODY INTERIOR TRIM

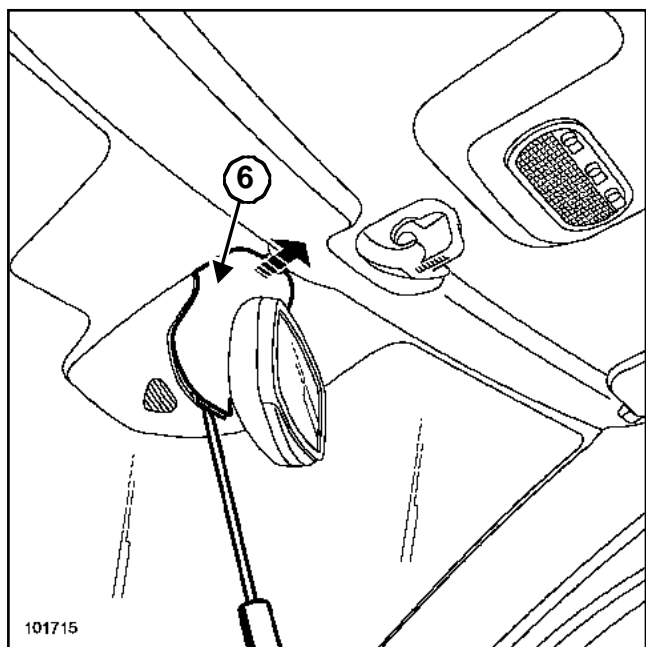
Headlining: Removal - Refitting

71A

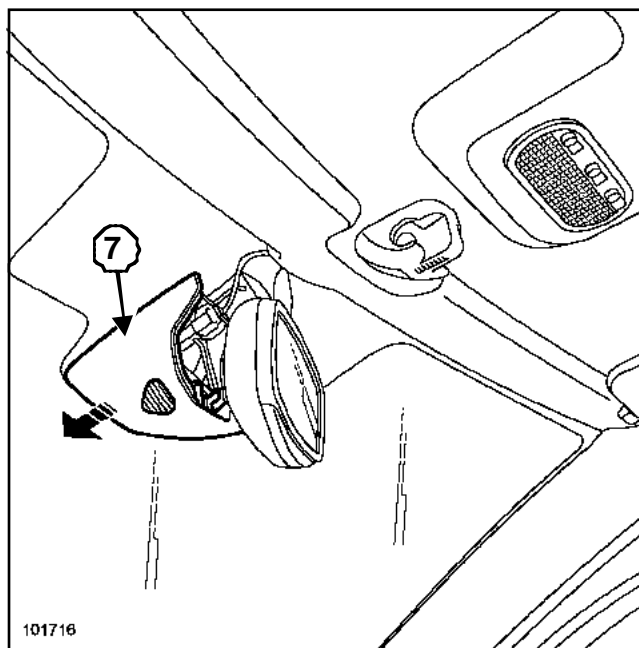
B84



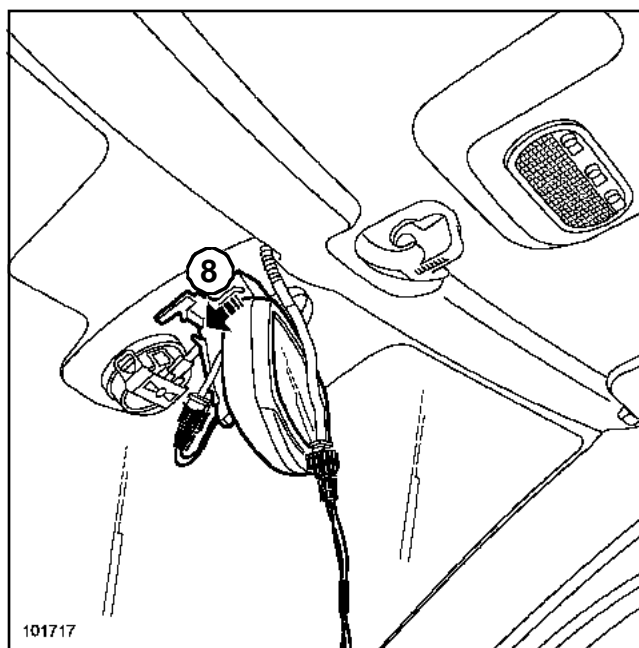
- Unfasten clip (4).
- Apply a pressure to the screwdriver in the direction of (5).
- Remove the assembly.



- Unclip upper cover (6).



- Unclip lower trim (7)



- Disconnect the connectors.
- Remove rear view mirror (8).

WARNING

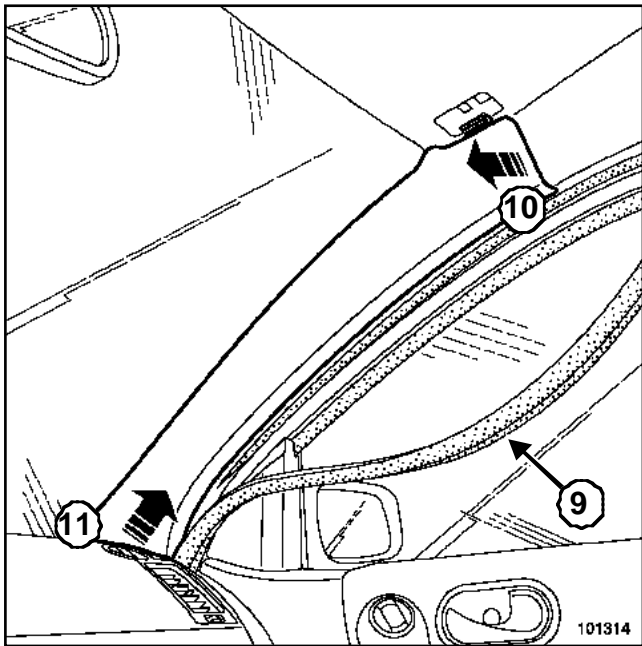
When removing the rear view mirror, avoid damaging the rain sensor.

BODY INTERIOR TRIM

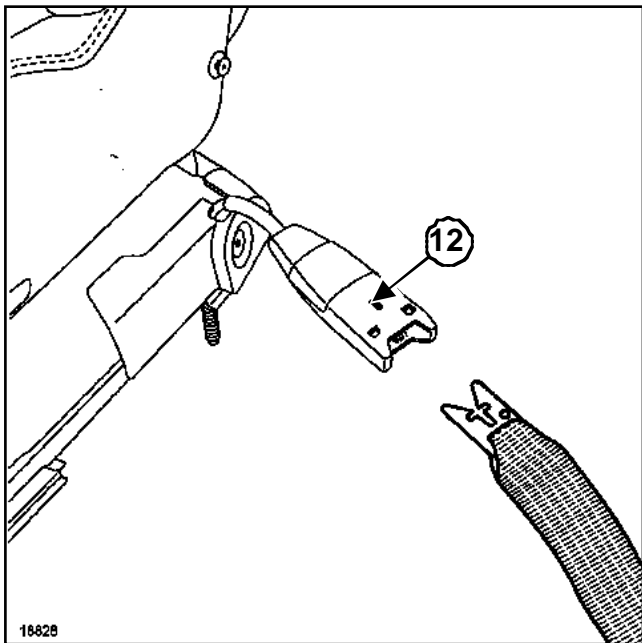
Headlining: Removal - Refitting

71A

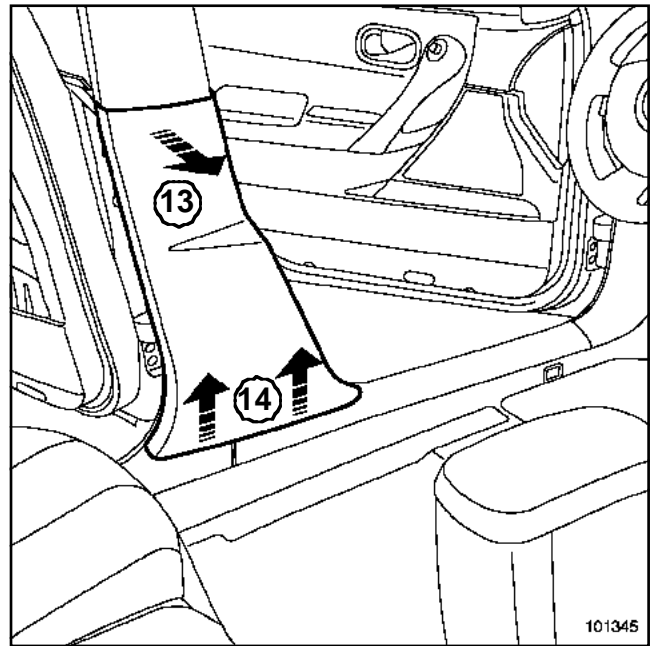
B84



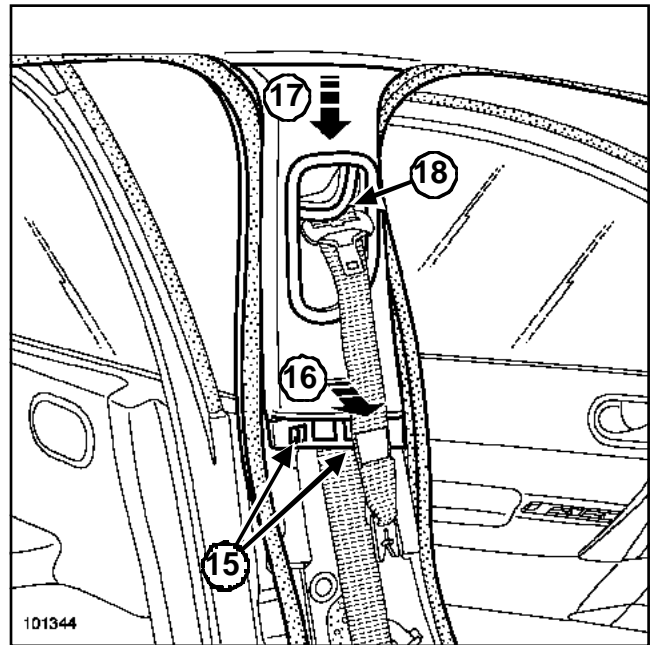
- Partially withdraw seal (9).
- Unclip the trim in the direction of (10) and (11).
- Move the front seat forwards.



- Undo the seat belt by pressing catch (12).



- Unclip the upper section of the trim (13).
- Remove trim (14)



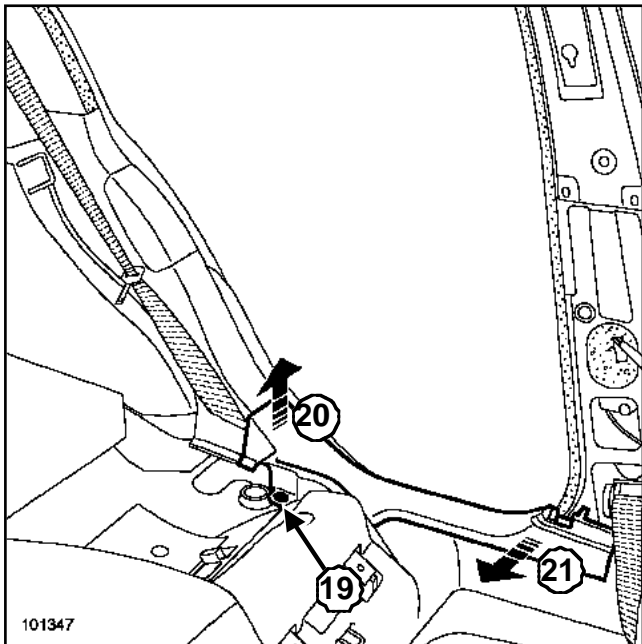
- Partially remove the door seals.
 - Unclip lower retaining clips (15)
- Remove:
- the trim in the direction of (16) and (17),
 - the seat belt strap through opening (18).

BODY INTERIOR TRIM

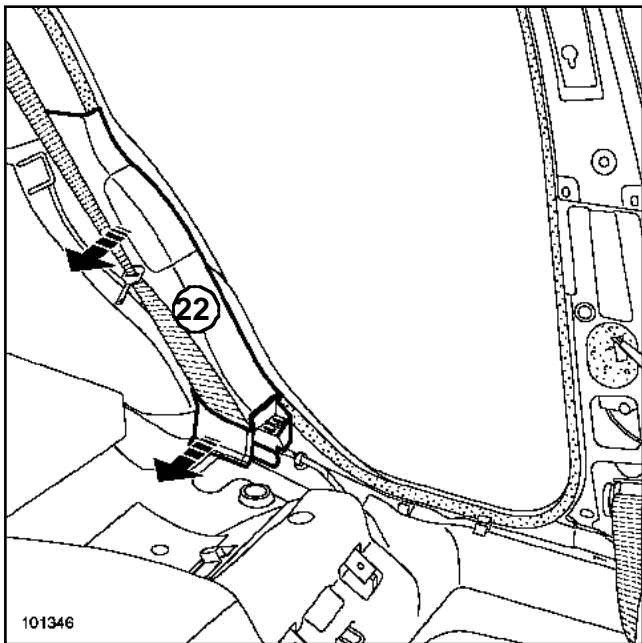
Headlining: Removal - Refitting

71A

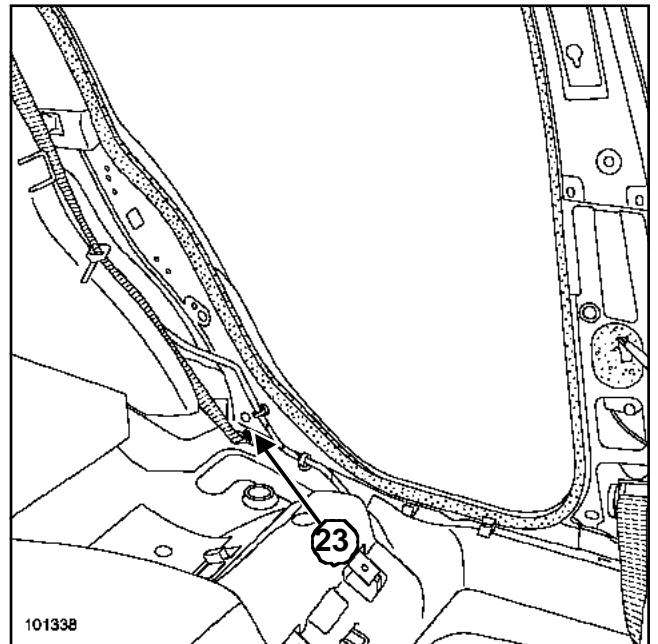
B84



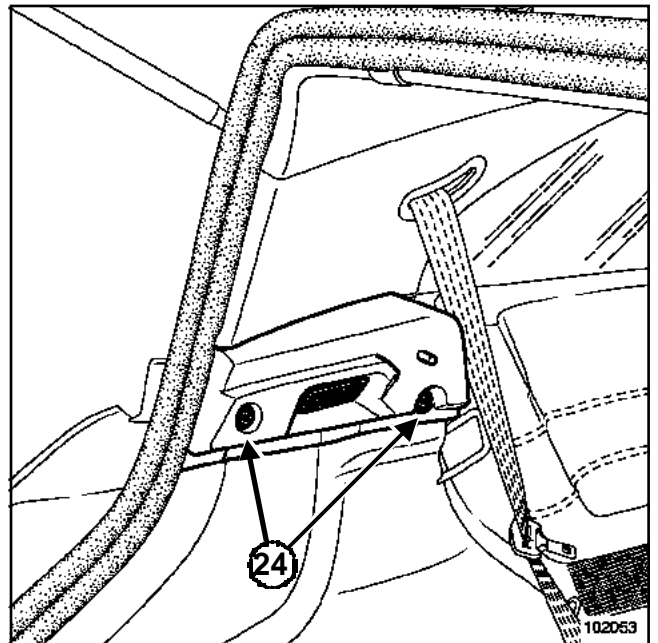
- Tilt the bench seat base.
- Remove clip (19) using a pair of unclipping pliers.
- Unclip the trim in the direction of (20) and (21).



- Unclip trim (22).



- Remove seat belt mounting bolt (23).



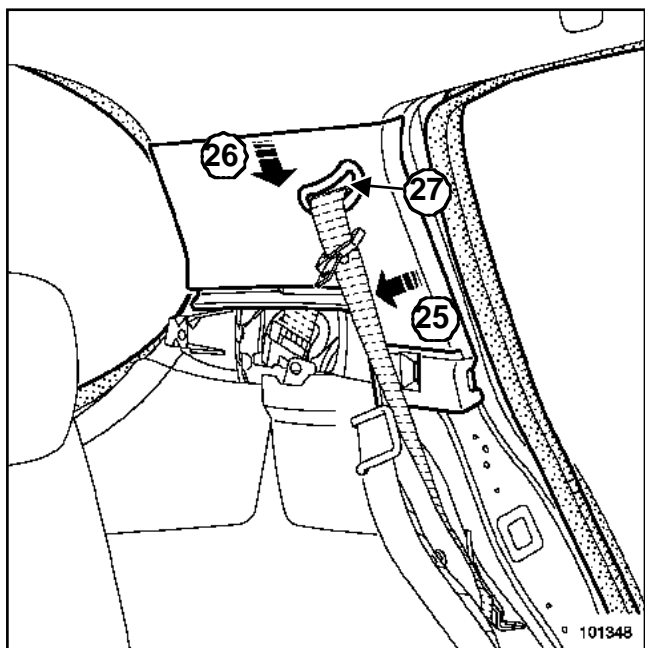
- Remove bolts (24).
- Partially remove the parcel shelf.
- Disconnect the boot lighting connector.

BODY INTERIOR TRIM

Headlining: Removal - Refitting

71A

B84

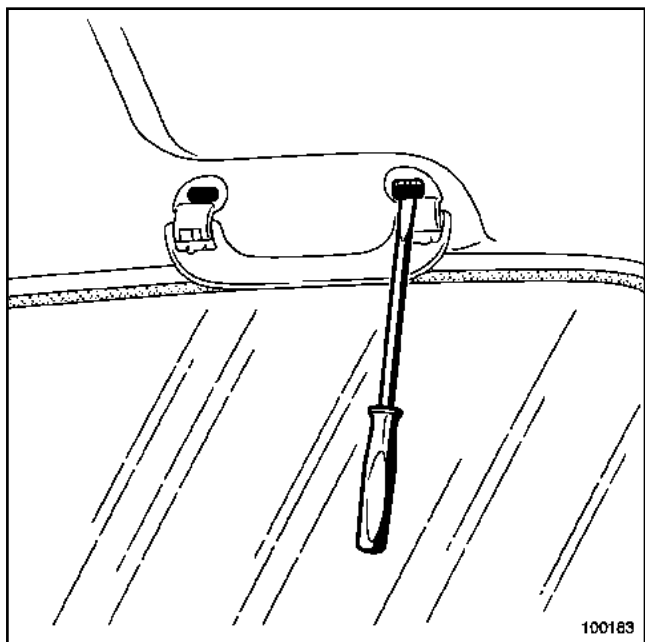


101348

- Unclip trim (25).

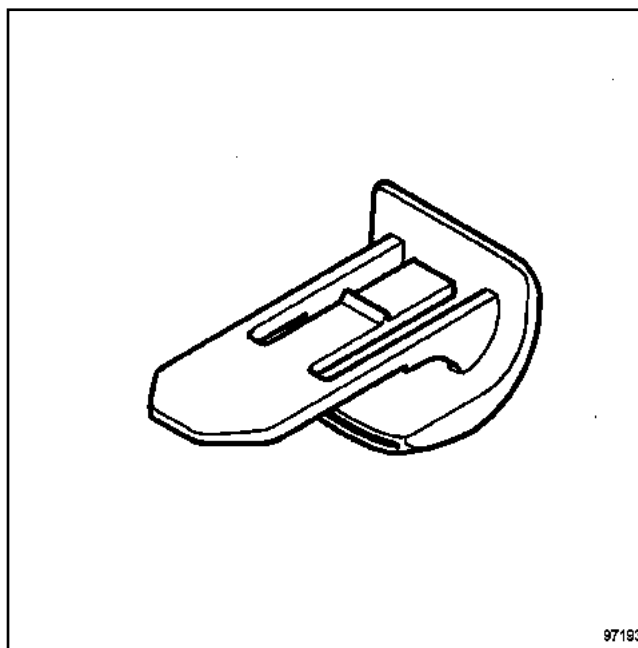
Remove:

- trim (26),
- the seat belt strap through opening (27)



100183

- Remove the grab handles using (Car. 1597).



97193

97193

- Unclip the two upper clips to the rear of the trim.

-

WARNING

The following headlining removal operations require two people.

- Carefully remove the headlining (Velcro strips).
- Fit the trim on the headrest and disconnect the various connectors.
- Carefully remove the trim through the boot lid to prevent it from bending.

SPECIAL NOTES ON REMOVING THE HEADLINING FROM A ROOF WITH A SUNROOF:

-

Note:

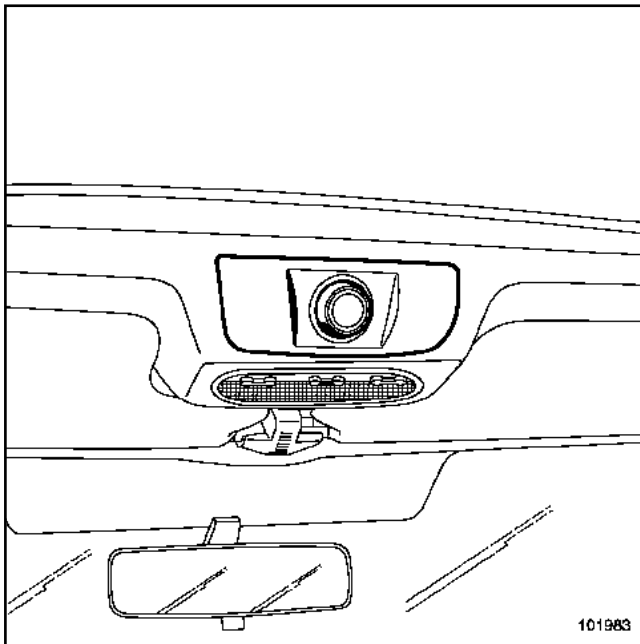
- The following procedure deals only with those components which are featured when the vehicle is fitted with a sunroof.
- The rest of the procedure is the same as for a model without a sunroof.

BODY INTERIOR TRIM

Headlining: Removal - Refitting

71A

B84



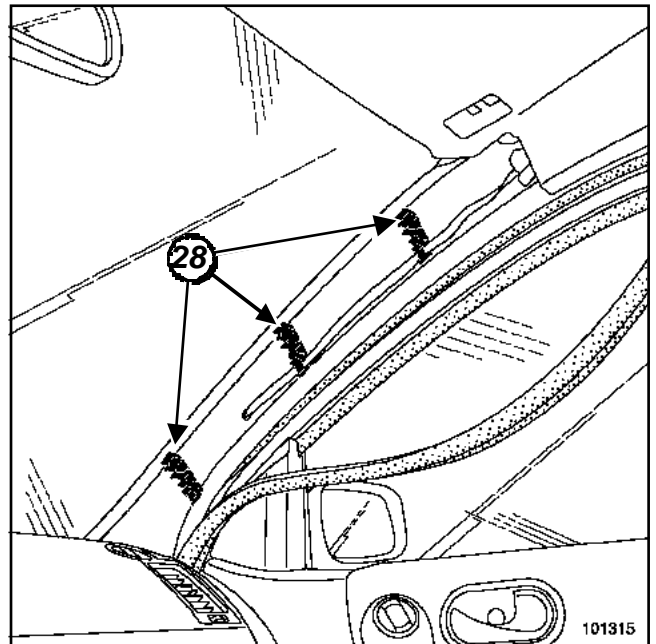
- Remove the sunroof opening control.
- Disconnect the connectors.

WARNING

The trim must be handled carefully because cutting the sunroof makes the two side edges more fragile (risk of bending).

REFITTING

- Return the trim via the boot lid.
- Connect the connectors.
- Centre the trim while fitting the grab handles.



- Check, before refitting, the condition of clips (28) (part no. 82 00 100 314).

WARNING

The Carminat aerial wire is attached to the left-hand A-pillar mounting clips.

- Proceed in the reverse order to removal.
- Tighten to torque the rear seat belt lower mounting bolts (21 Nm).
- Connect the battery (see MR 364 Mechanical, 80A Battery, Battery: Removal - Refitting).
- Unlock the airbag computer using the diagnostic tool (see MR 364 Mechanical, 88C, Airbag and pretensioners, Precautions for repair).

BODY INTERIOR TRIM

Headlining: Removal - Refitting

71A

C84

Special tooling required

Car. 1597 Lever for removing rear turning handle clips

Equipment required

diagnostic tool

Tightening torques

seat belt rail mounting **21 Nm**
bolts

□

IMPORTANT

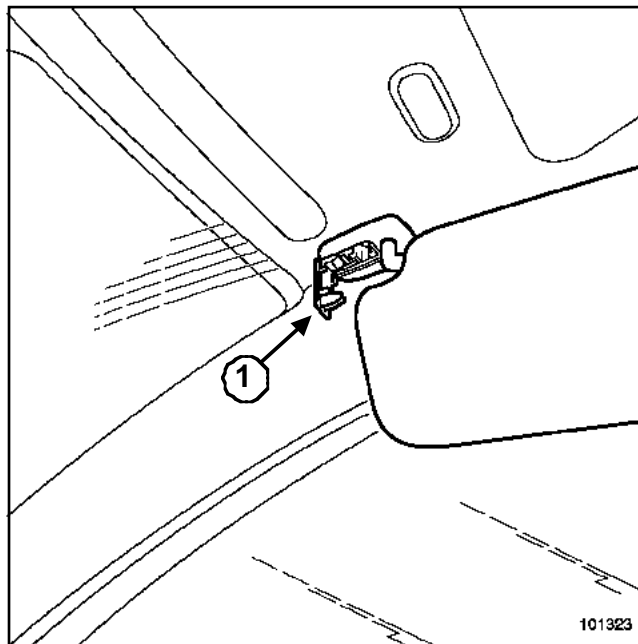
Before carrying out any work on or near a safety system component, lock the airbag computer using the **diagnostic tool**. When this function is inhibited, the instrument panel warning light is lit (ignition on).

IMPORTANT

It is not permitted to handle pyrotechnic systems (airbags and pretensioners) near to a source of heat or flame: there is a risk of the airbags or pretensioners being triggered.

- Lock the airbag computer using the **diagnostic tool** (see **MR 364 Mechanical, 88C, Airbag and pretensioners, Precautions for repair**).
- Disconnect the battery (see **MR 364 Mechanical, 80A Battery, Battery: Removal - Refitting**).

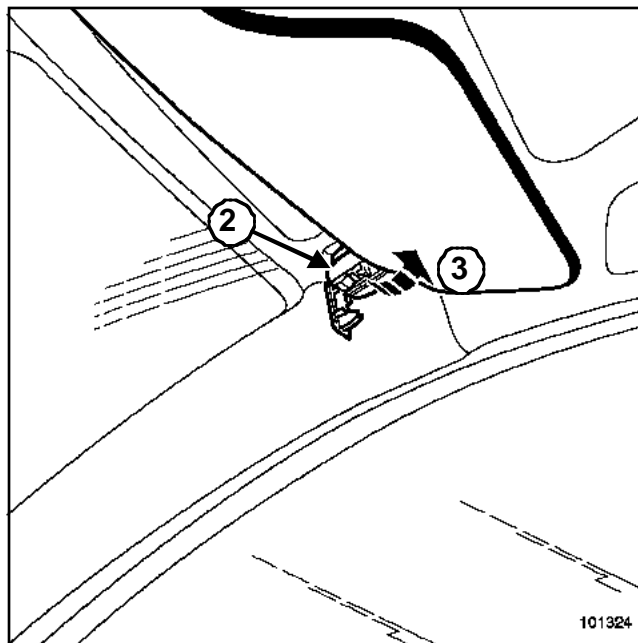
REMOVAL



101323

101323

- Unclip mounting clip (1)



101324

101324

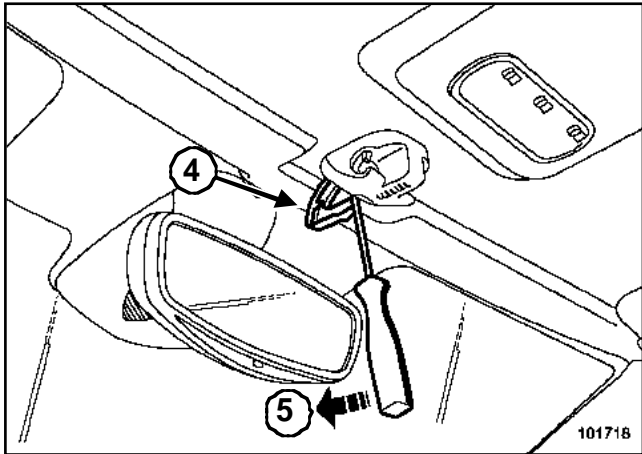
- Remove:
 - the clip (2),
 - the sun visor (3).

BODY INTERIOR TRIM

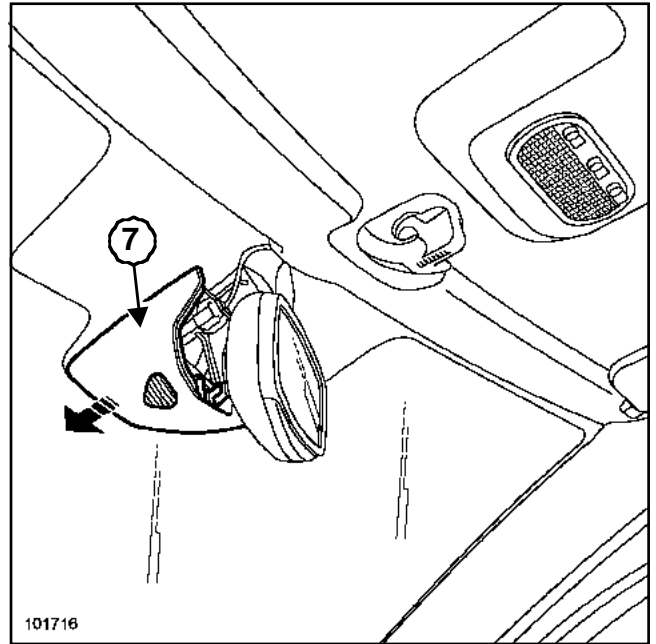
Headlining: Removal - Refitting

71A

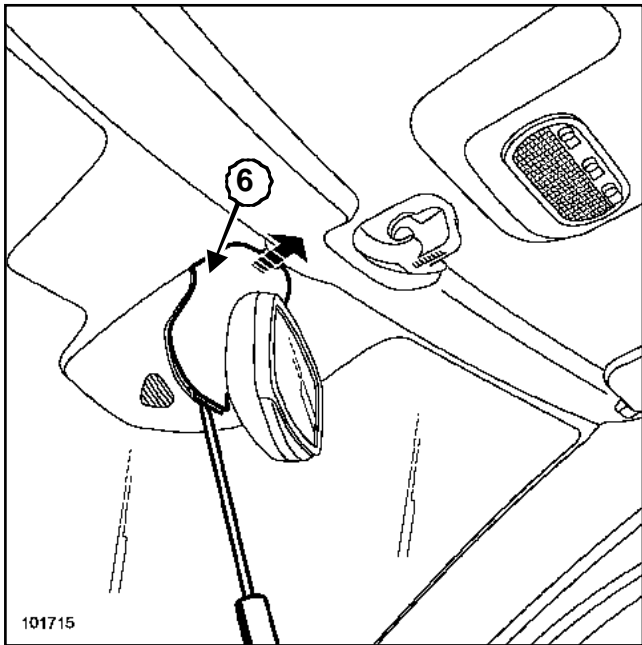
C84



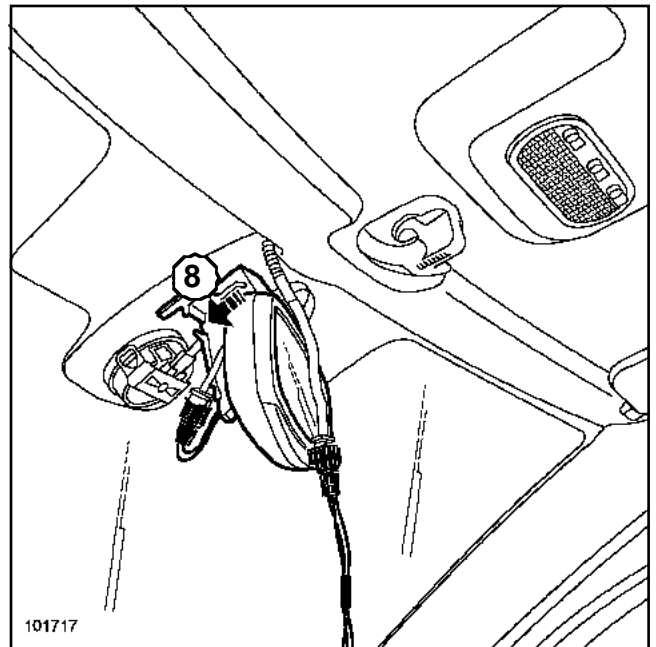
- Unfasten clip (4).
- Apply a pressure to the screwdriver in the direction of (5).
- Remove the assembly.



- Unclip lower trim (7).



- Unclip the upper cover (6).



- Disconnect the connectors.
- Remove rear view mirror (8).

IMPORTANT

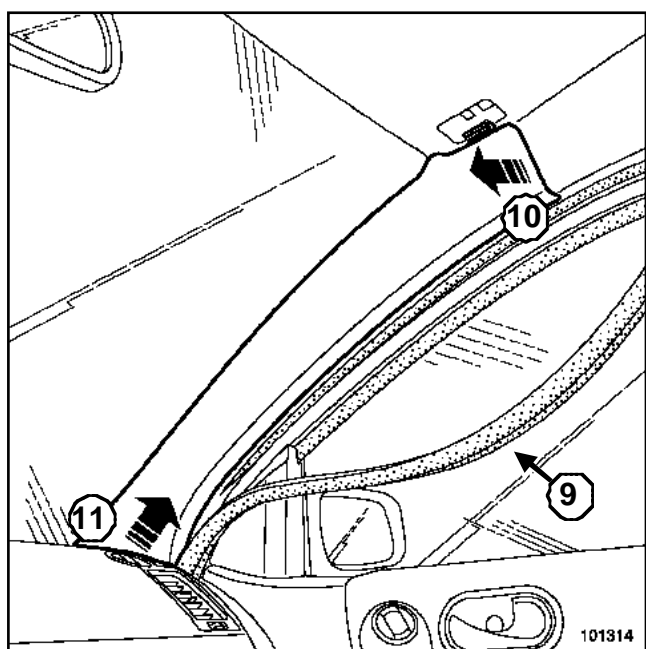
When removing the rear view mirror, avoid damaging the rain sensor.

BODY INTERIOR TRIM

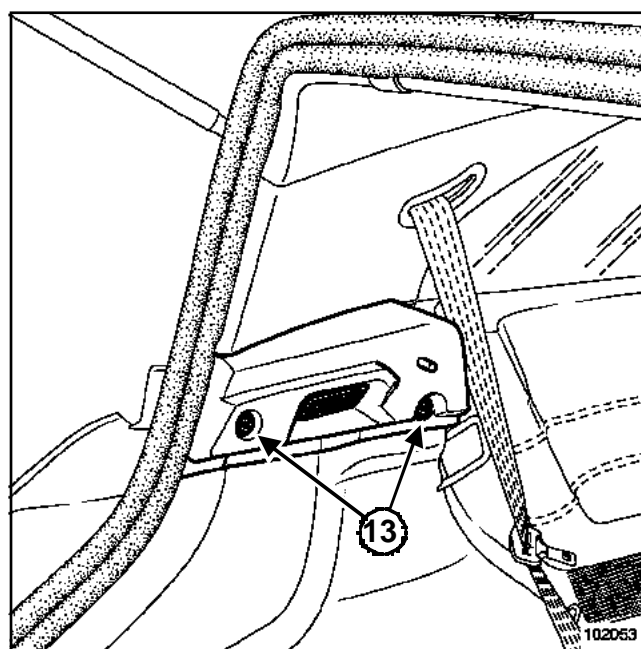
Headlining: Removal - Refitting

71A

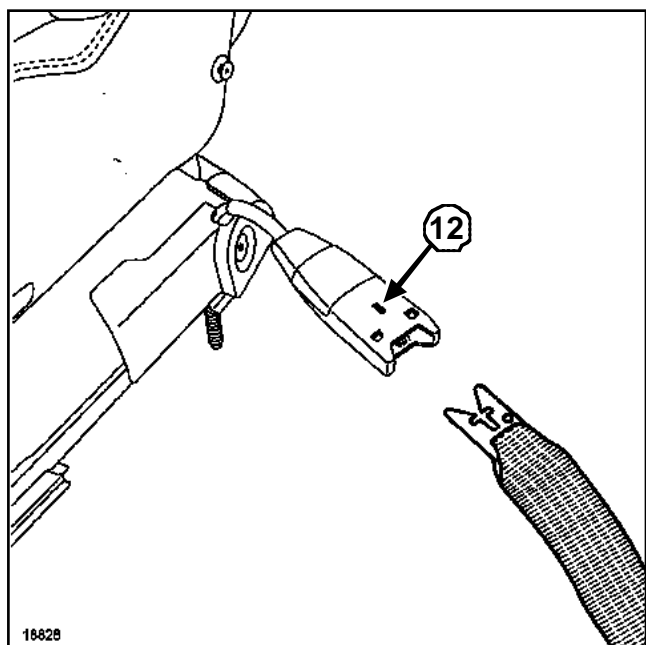
C84



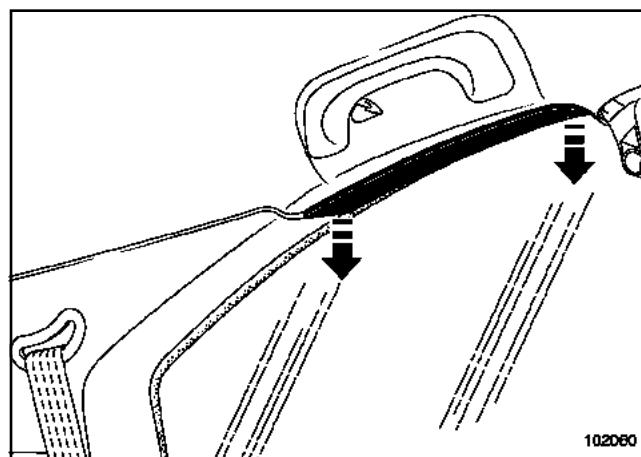
- Partially withdraw seal (9).
- Unclip the trim (10) and (11).
- Move the front seats forward.



- Remove the bolts (13).
- Partially release the parcel shelf.
- Disconnect the boot lighting connector.



- Undo the seat belt by pressing catch (12).
- Remove the rear parcel shelf.



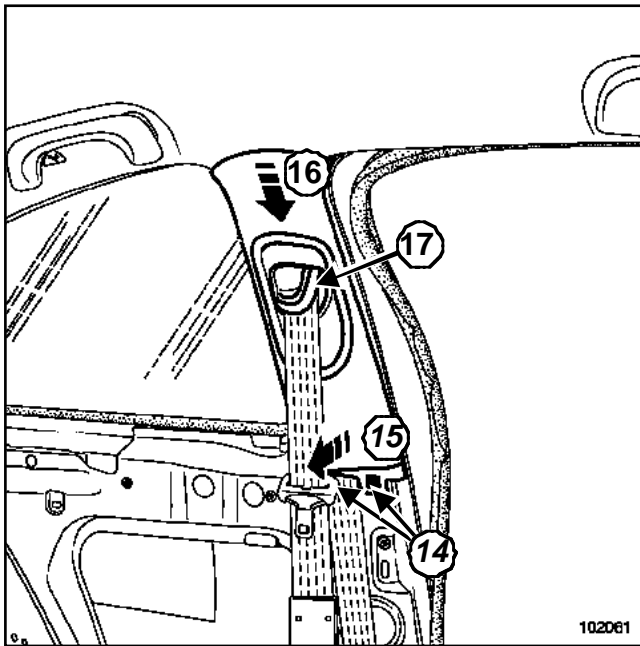
- Unclip the upper trim.
- Remove the rear panel trim (see 71A, **Body internal trims, Rear panel trim**).

BODY INTERIOR TRIM

Headlining: Removal - Refitting

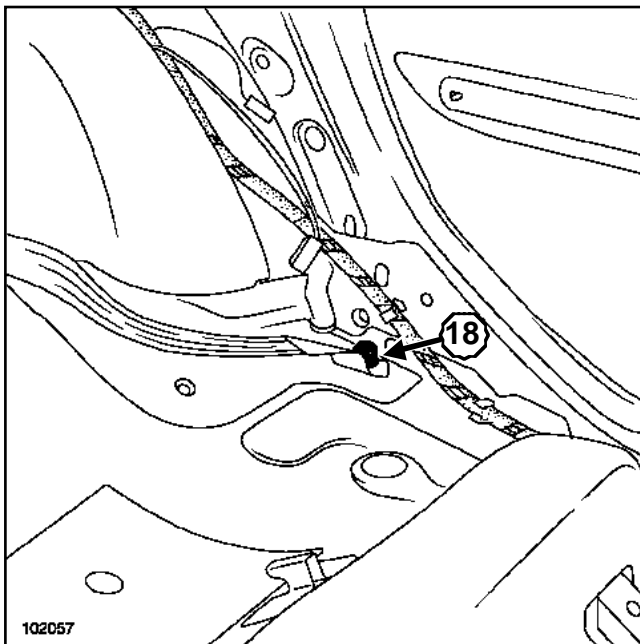
71A

C84



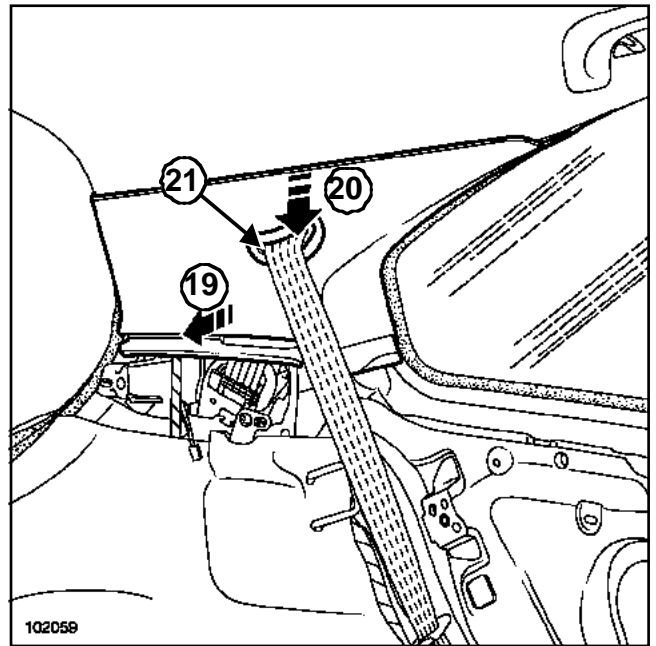
102061
102061

- Partially remove the door seal.
- Unclip lower mounting clips (14).
- Remove:
 - the trim in the direction of (15) and (16),
 - the seat belt strap through opening (17)



102057
102057

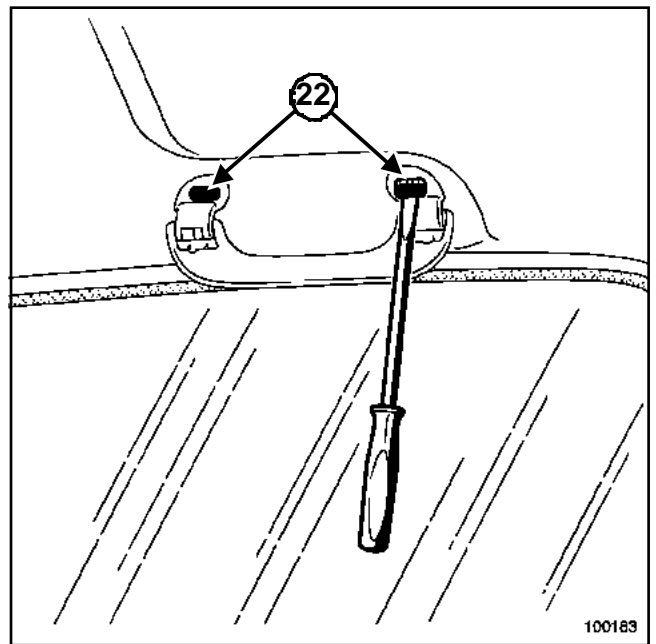
- Remove seat belt lower mounting (18).



102059

102059

- Partially remove the luggage compartment seal.
- Unclip the rear quarter panel trim in the direction of (19) and (20).
- Remove the seat belt strap through opening (21).



100183

100183

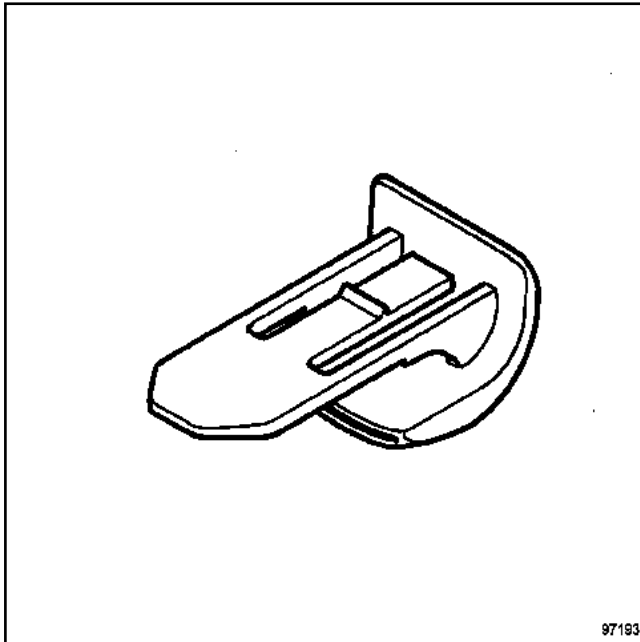
- Unclip pins (22) and remove the grab handles using (Car. 1597).

BODY INTERIOR TRIM

Headlining: Removal - Refitting

71A

C84



- Unclip the upper clips to the rear of the trim.

WARNING

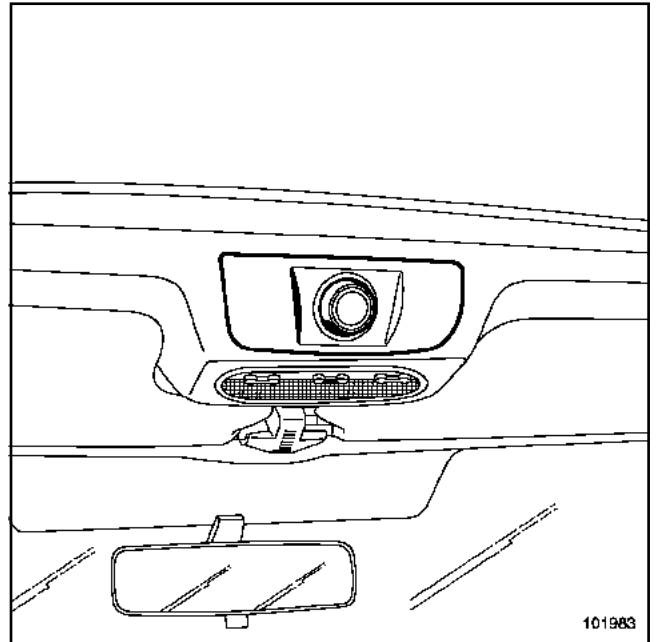
The following headlining removal operations require two people.

- Carefully remove the headlining (Velcro strips).
- Fit the trim on the headrest and disconnect the various connectors.
- Carefully remove the trim through the boot lid to prevent it from bending.

SPECIAL NOTES ON REMOVING THE HEADLINING FROM A ROOF WITH A SUNROOF:

Note:

- This procedure deals only with components which are present if the vehicle is fitted with a sunroof.
- The rest of the procedure is the same as for a model without a sunroof.



- Remove the sunroof opening control.
- Disconnect the connectors.

WARNING

The trim must be handled carefully because cutting the sunroof makes the two side edges more fragile (risk of bending).

REFITTING

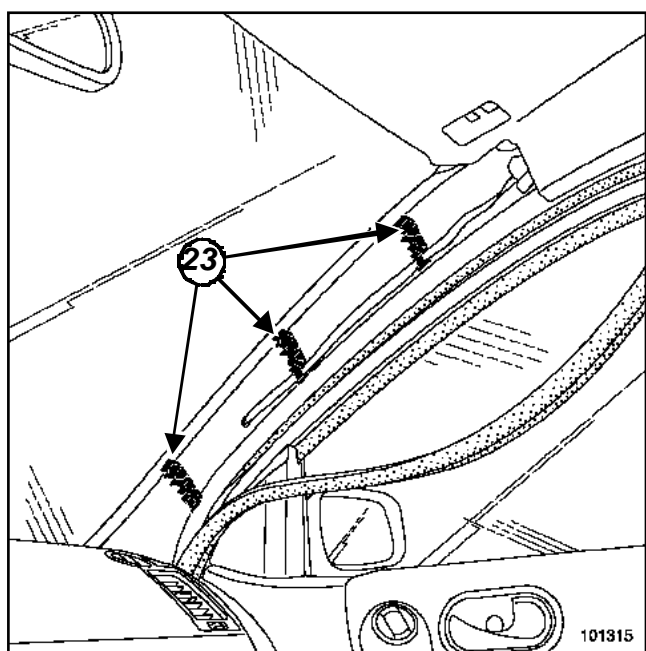
- Return the trim via the boot lid.
- Connect the connectors.
- Centre the trim while fitting the grab handles.

BODY INTERIOR TRIM

Headlining: Removal - Refitting

71A

C84



- Check, before refitting, the condition of clips (23) (part no. **82 00 100 314**).

WARNING

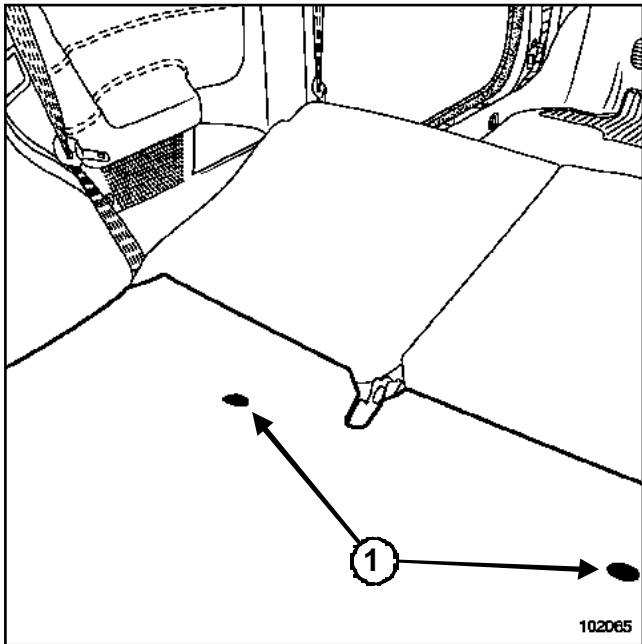
The Carminat aerial wire is attached to the left-hand A-pillar mounting clips.

- Proceed in the reverse order to removal.
- Tighten to torque the **seat belt rail mounting bolts (21 Nm)**.
- Connect the battery (see **MR 364 Mechanical, 80A Battery, Battery: Removal - Refitting**).
- Unlock the airbag computer using the **diagnostic tool** (see **MR 364 Mechanical, 88C, Airbag and pretensioners, Precautions for repair**).

Luggage compartment carpet: Removal - Refitting

B84 or C84

REMOVAL



102065

- Pull down bench seat seatbacks.
- Release clips (1) using a pair of unclipping pliers.
- Remove the boot carpet.

REFITTING

- Check the clips are secure.
- Proceed in the reverse order to removal.

BODY INTERIOR TRIM

Floor carpet: Removal - Refitting

71A

B84

Equipment required

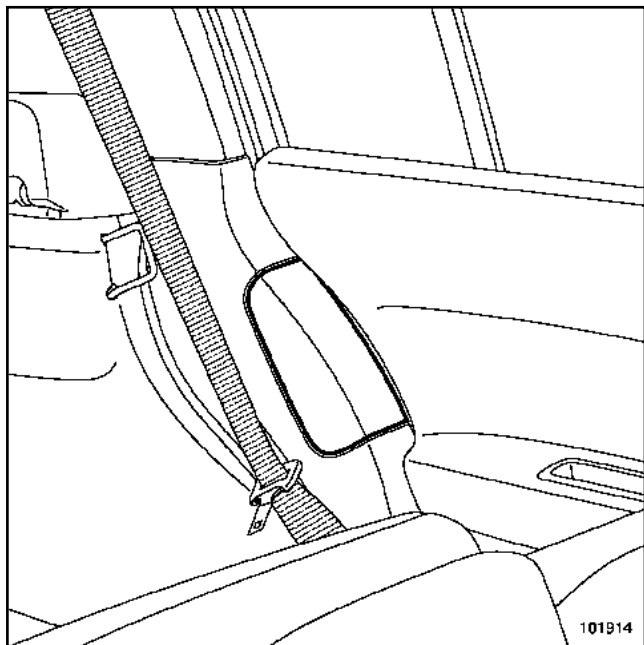
diagnostic tool

REMOVAL

□

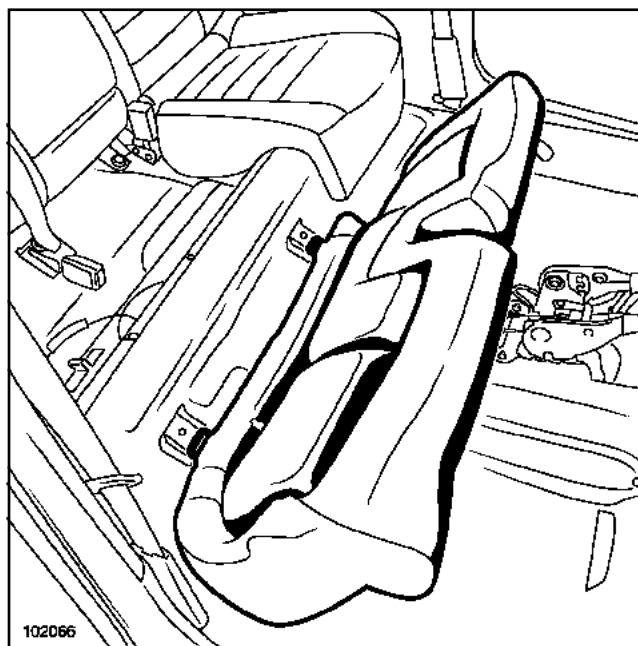
IMPORTANT

Before carrying out any work on a safety system component, lock the airbag computer using the **diagnostic tool** (see **88C, Airbags and pretensioners, Airbag computer locking procedure**). When this function is activated, all the ignition lines are disabled and the airbag warning light on the instrument panel lights up when the ignition is switched on.



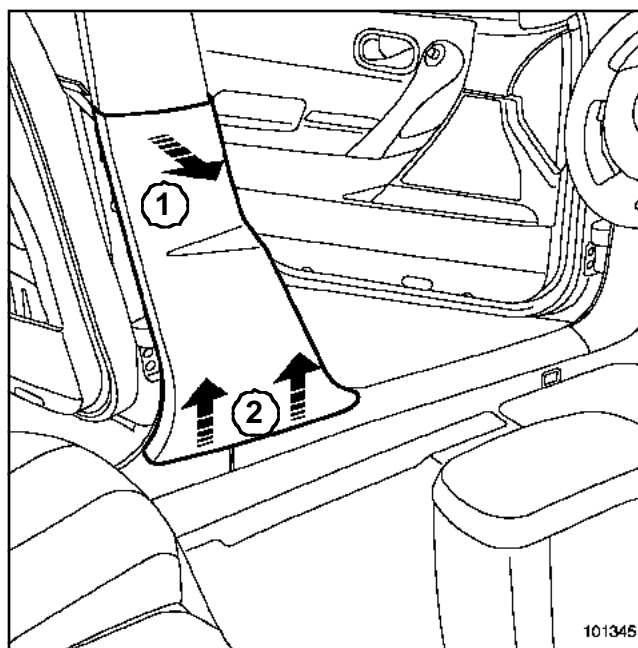
□ Remove:

- the front seats (see **75A, Front seat frames and runners, Complete front seat**) observing the safety instructions,
- the centre console (see **57A, Interior accessories, Centre console**).
- the parking brake control (see **37A, Mechanical component controls, Parking brake lever**),



102066

□ Tilt the seat base to unclip it.



101345

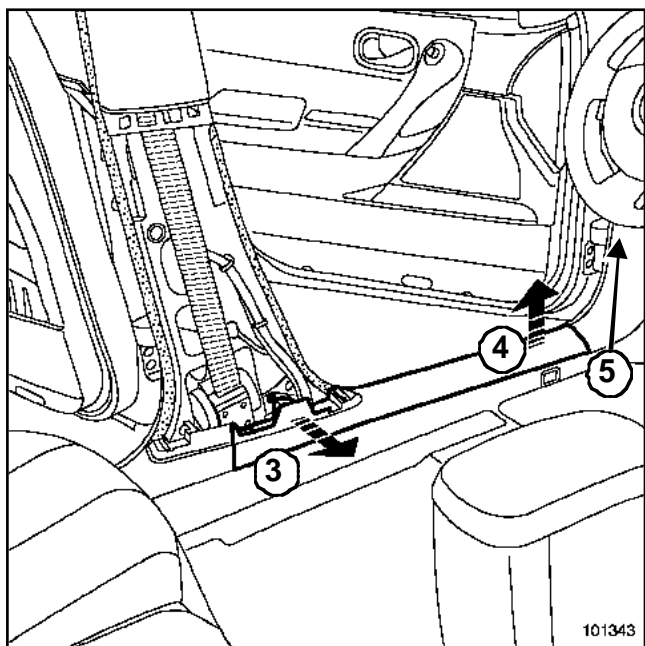
□ Unclip the trim in the direction of (1) and (2).

BODY INTERIOR TRIM

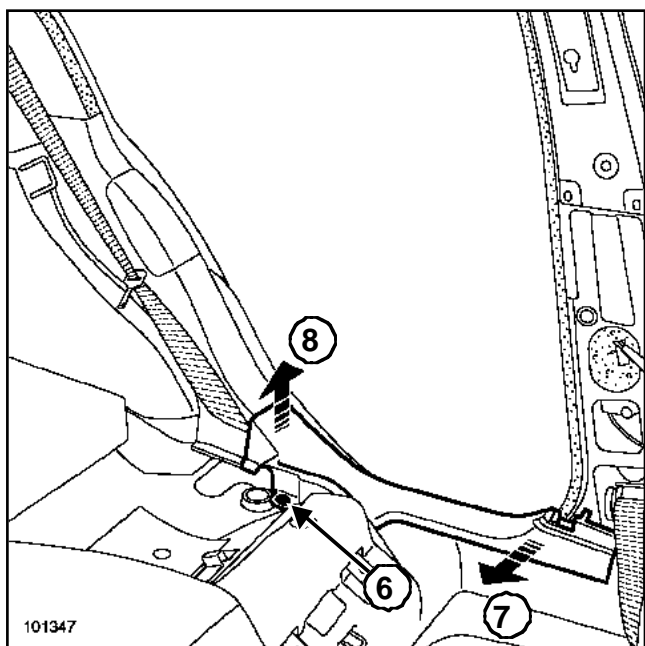
Floor carpet: Removal - Refitting

71A

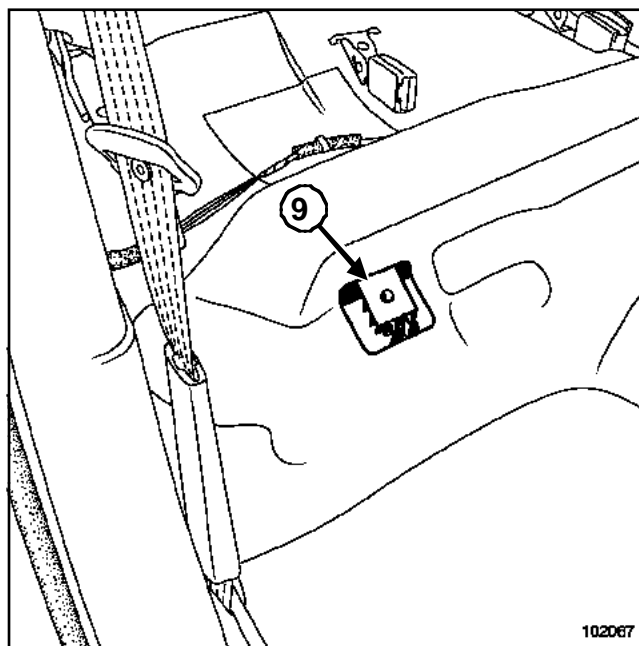
B84



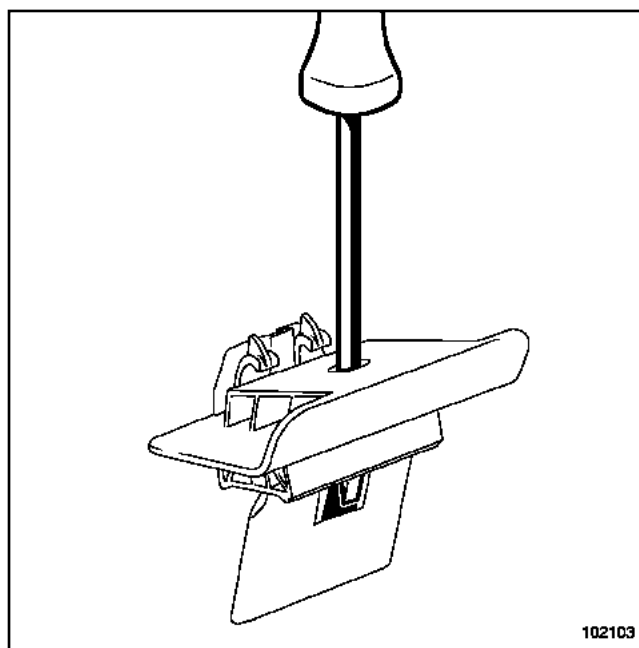
- Remove the dashboard side face.
- Unclip:
 - clip (5),
 - the trim in the direction of (3) and (4).



- Remove clip (6) with a pair of unclipping pliers.
- Unclip the trim in the direction of (7) and (8).



- Insert a screwdriver into opening (9).



- Remove the clip by applying pressure with the screwdriver.
- Remove the carpet.

REFITTING

- Proceed in the reverse order to removal.

BODY INTERIOR TRIM

Floor carpet: Removal - Refitting

71A

C84

Equipment required

diagnostic tool

Tightening torques

seat belt rail mounting bolts

21 Nm

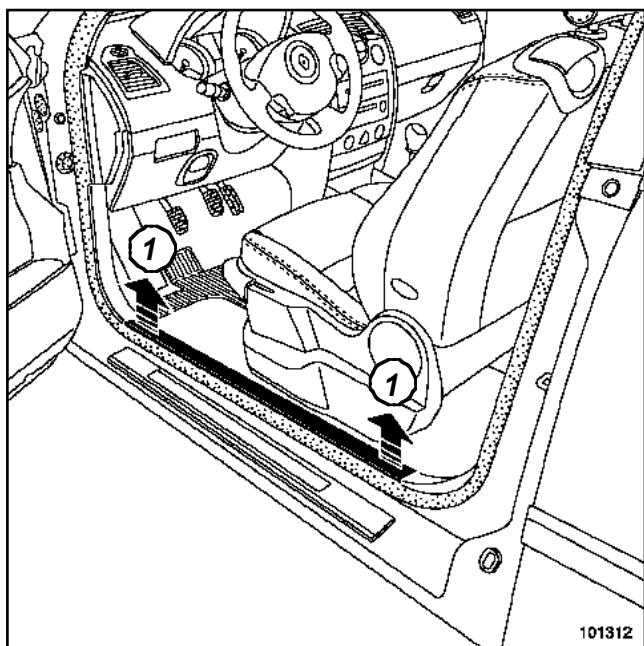
REMOVAL

IMPORTANT

Before carrying out any work on a safety system component, lock the airbag computer using the **diagnostic tool** (see **88C, Airbags and pretensioners, Airbag computer locking procedure**). When this function is activated, all the ignition lines are disabled and the airbag warning light on the instrument panel lights up when the ignition is switched on.

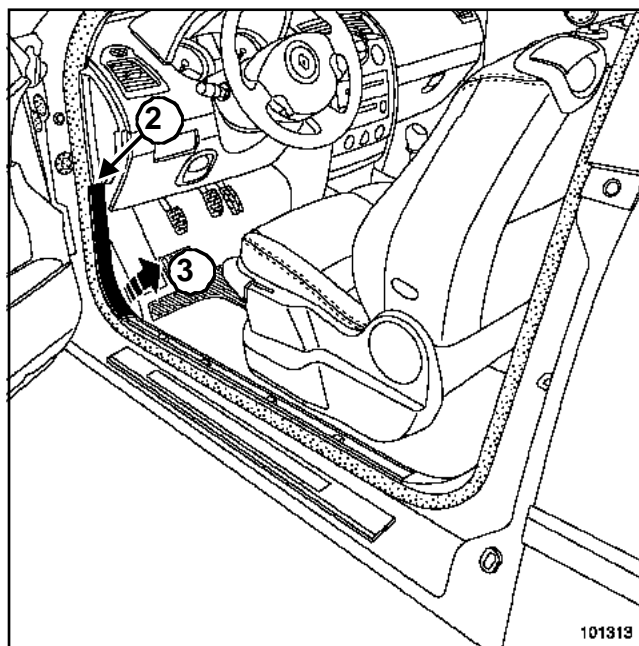
Remove:

- the front seats (see **75A, Front seat frames and runners, Complete front seat**),
- the centre console (see **57A, Interior accessories, Centre console**).
- the parking brake control (see **37A, Mechanical component controls, Parking brake lever**),



101312

Unclip front door sill lining (1).



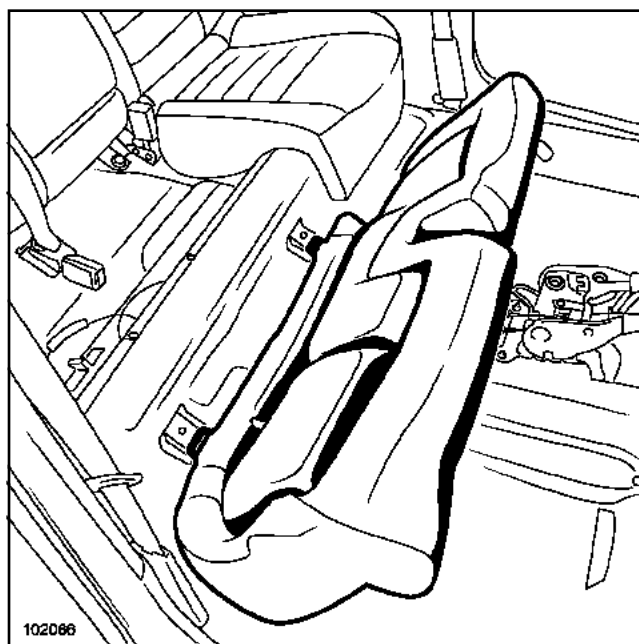
101313

101313

Remove the dashboard side face.

Unclip:

- clip (2),
- trim (3).



102066

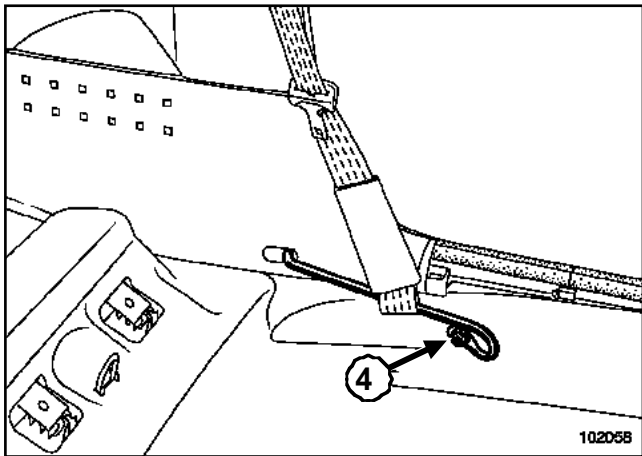
Tilt the seat base to unclip it.

BODY INTERIOR TRIM

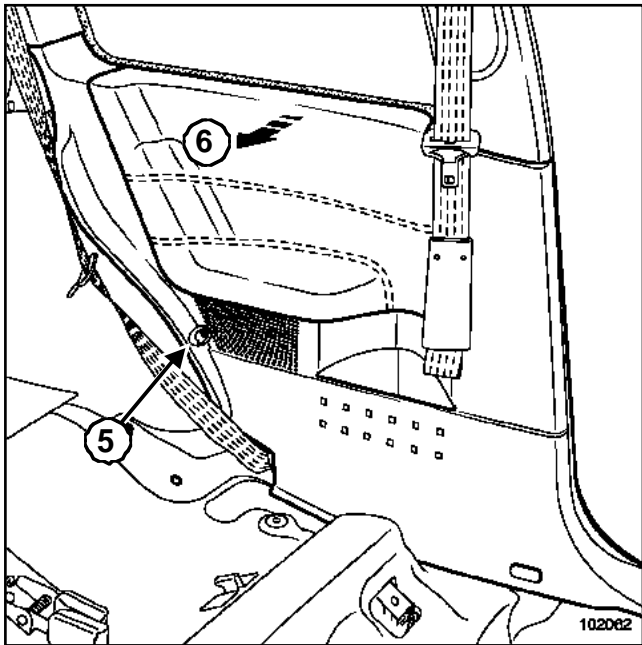
Floor carpet: Removal - Refitting

71A

C84

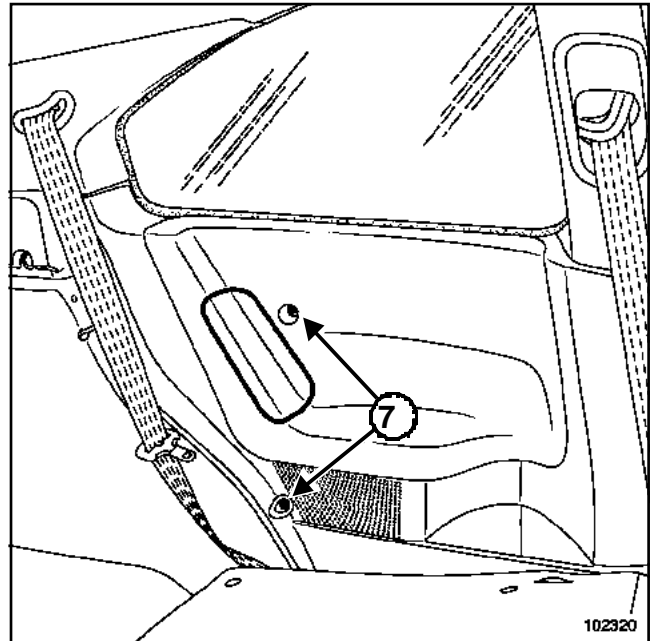


- ❑ Remove bolt (4).

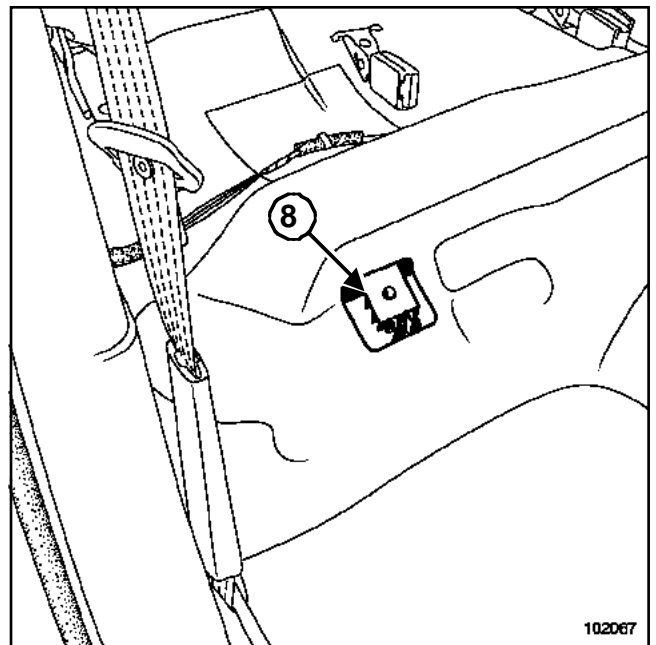


- ❑ Remove bolt (5).
- ❑ Unclip trim (6).

For a vehicle fitted with rear side airbags



- ❑ Remove both bolts (7).



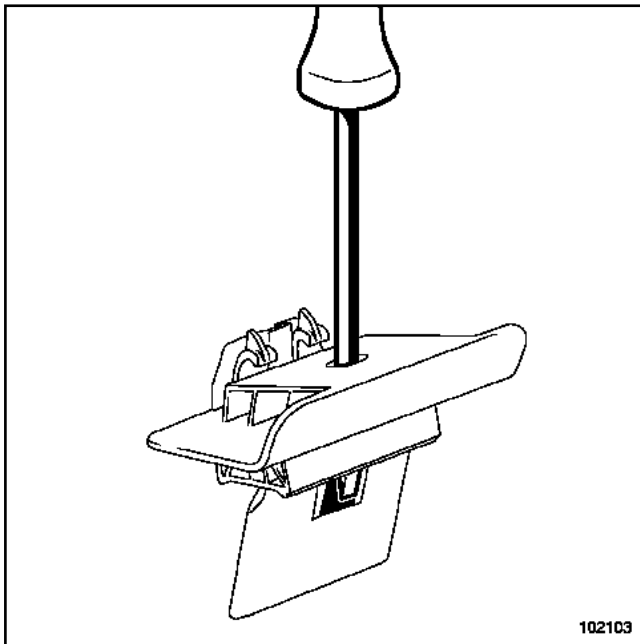
- ❑ Insert a screwdriver into opening (8).

BODY INTERIOR TRIM

Floor carpet: Removal - Refitting

71A

C84



102103

102103


- Remove the clip by applying pressure with the screwdriver.
- Remove the carpet.

REFITTING

- Proceed in the reverse order to removal.
- Tighten to torque the **seat belt rail mounting bolts (21 Nm)**.

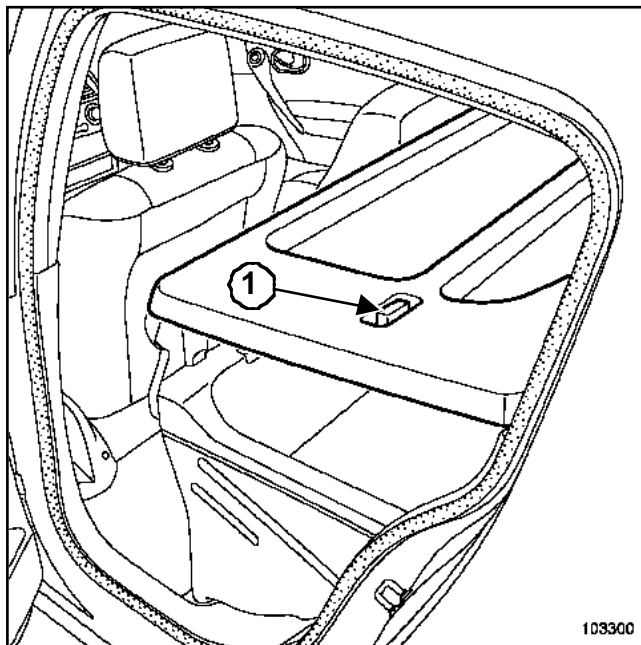
Rear load compartment lining: Removal - Refitting

G84 or S84

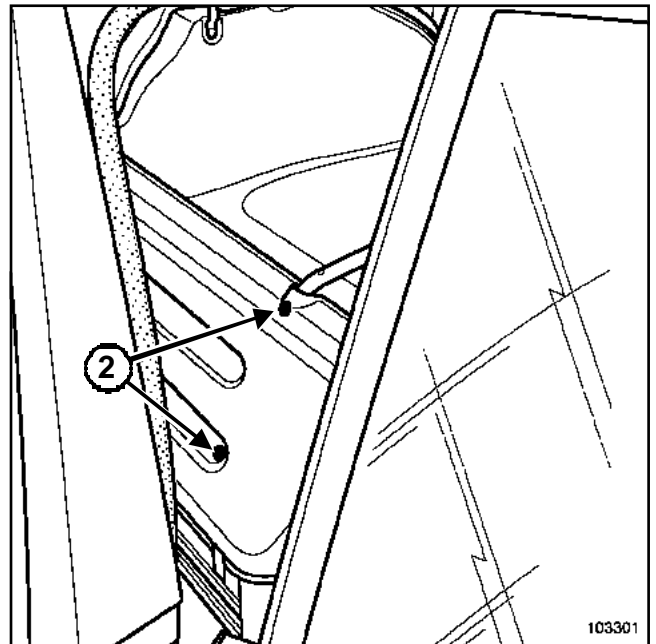
Tightening torques 	
bolts (3)	8 Nm
bolts (6)	2 Nm
bolts (9)	21 Nm
bolts (12)	21 Nm

REMOVAL

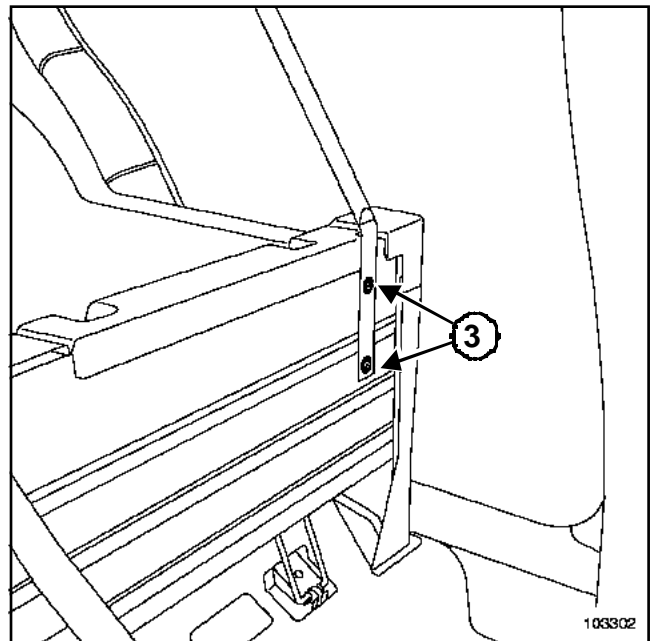
- Remove the rear parcel shelf.



- Loosen catches (1).
- Remove the centre parcel shelf.



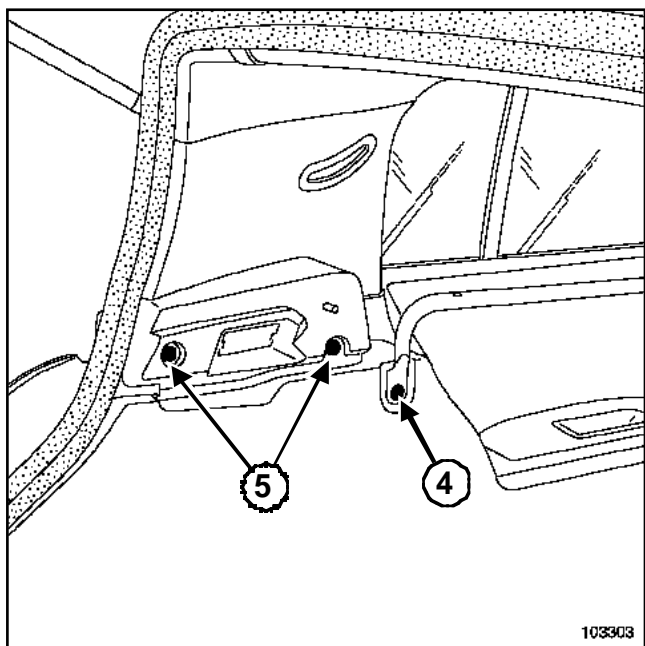
- Remove:
 - clips (2) using a pair of unclipping pliers,
 - the partition panel.



- Remove bolts (3).

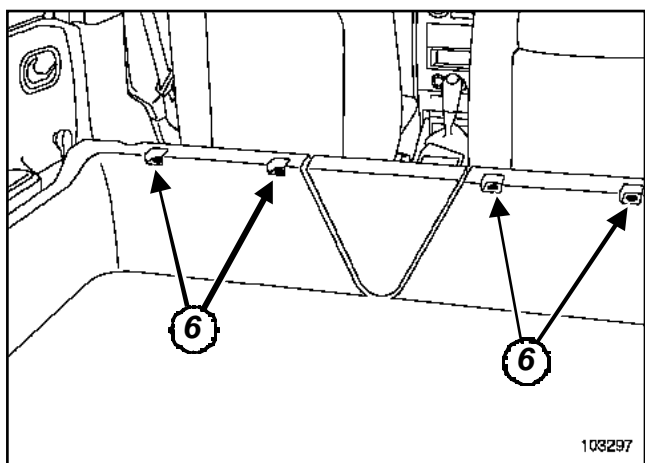
Rear load compartment lining: Removal - Refitting

G84 or S84



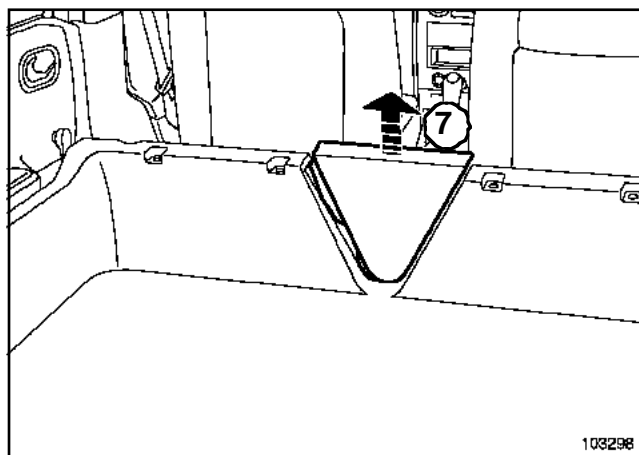
103303

- Loosen bolt (4) without removing it.
- Remove:
 - the side arches,
 - parcel shelf mounting bolts (5),
 - the parcel shelf partially.
- Disconnect the luggage compartment light.
- Remove the parcel shelf.



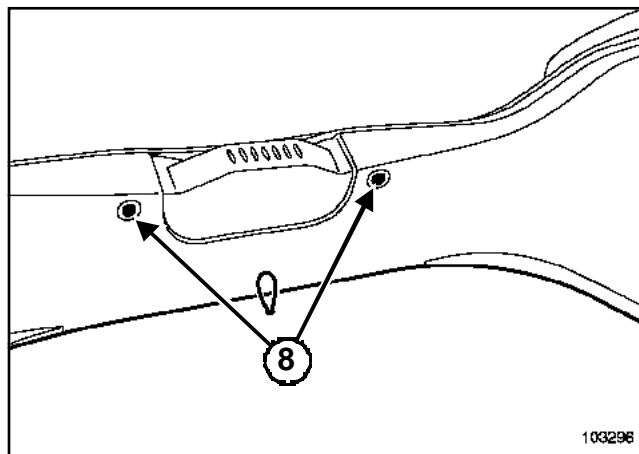
103297

- Remove bolts (6).



103296

- Lift the compartment slightly.
- Remove triangular section (7).

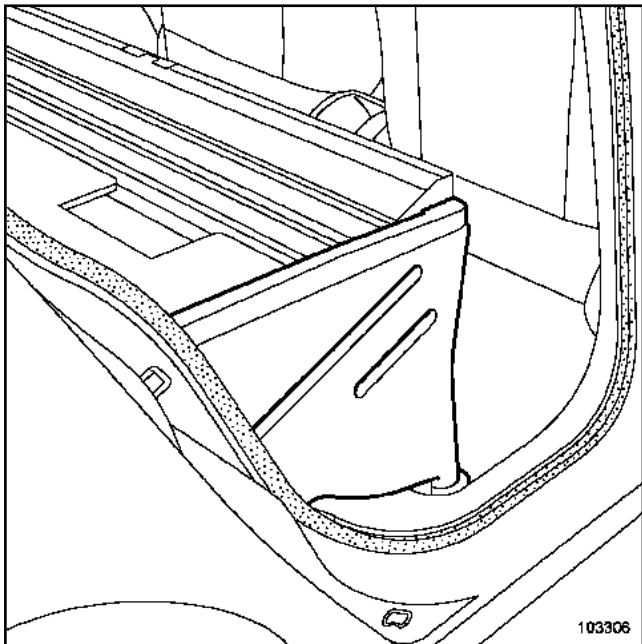


103296

- Remove:
 - bolts (8),
 - the emergency spare wheel flap.
- Release the compartment through the boot lid by bending it slightly.

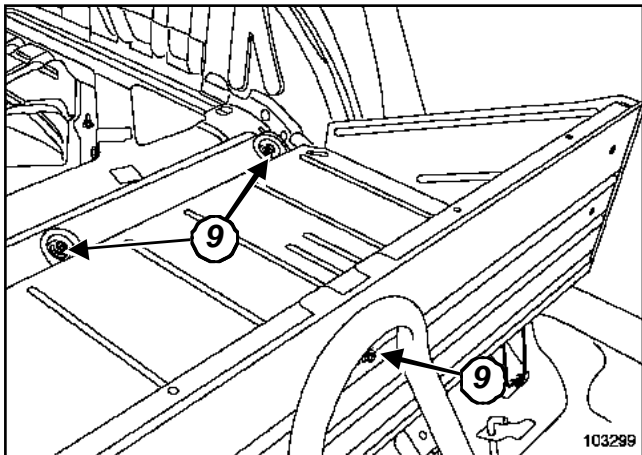
Rear load compartment lining: Removal - Refitting

G84 or S84



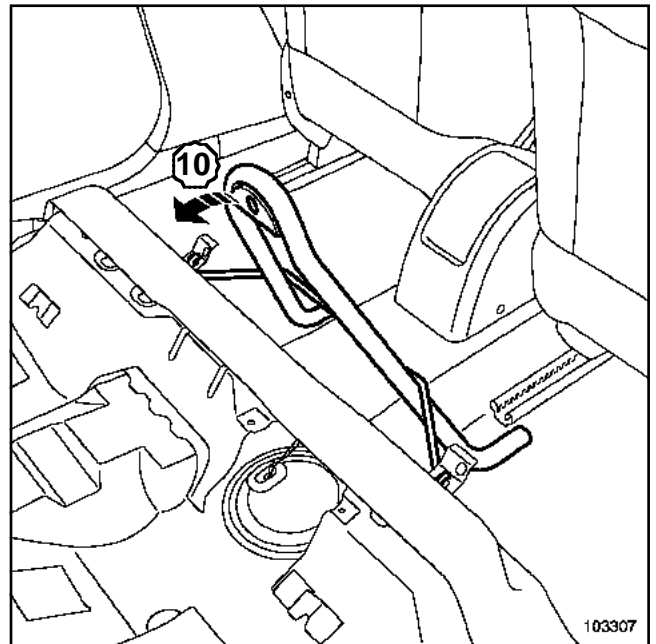
103306
103306

- Remove the side trims.
- Remove the soundproofing material.



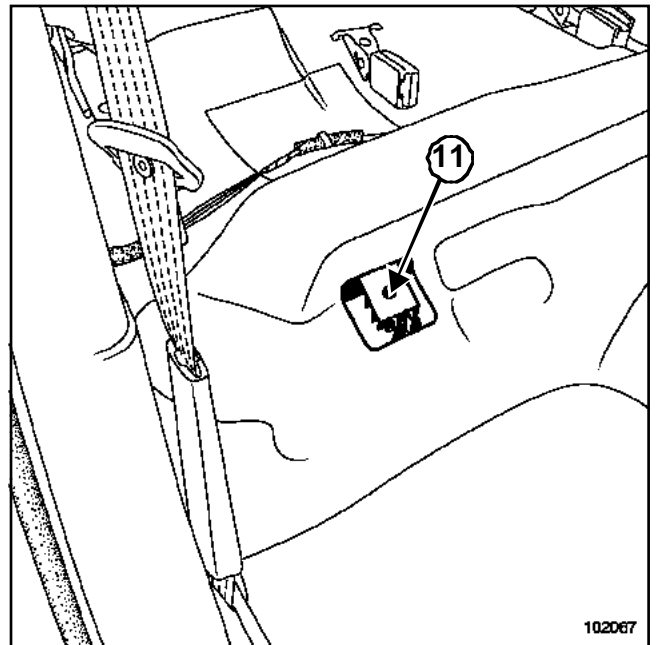
103299
103299

- Remove bolts (9).
- Unclip the floor from the bench seat mounting clips.
- Remove the floor panel (this operation requires two people).



103307
103307

- Remove load stop bracket (10).

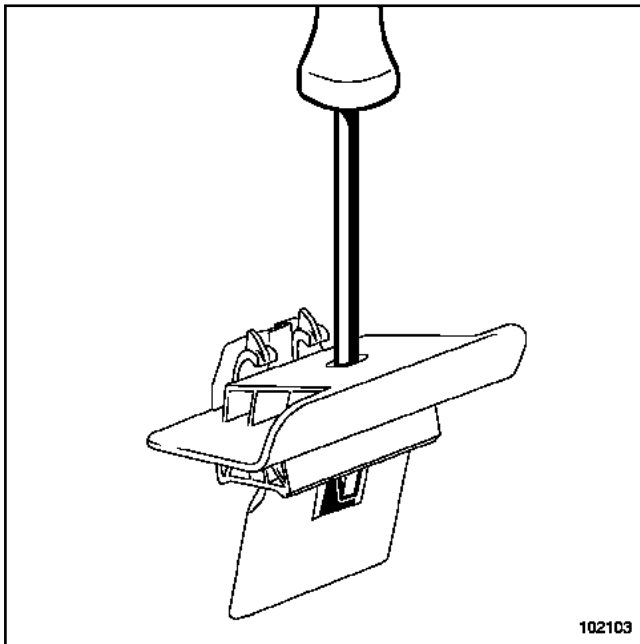


102067
102067

- Insert a screwdriver into opening (11).

Rear load compartment lining: Removal - Refitting

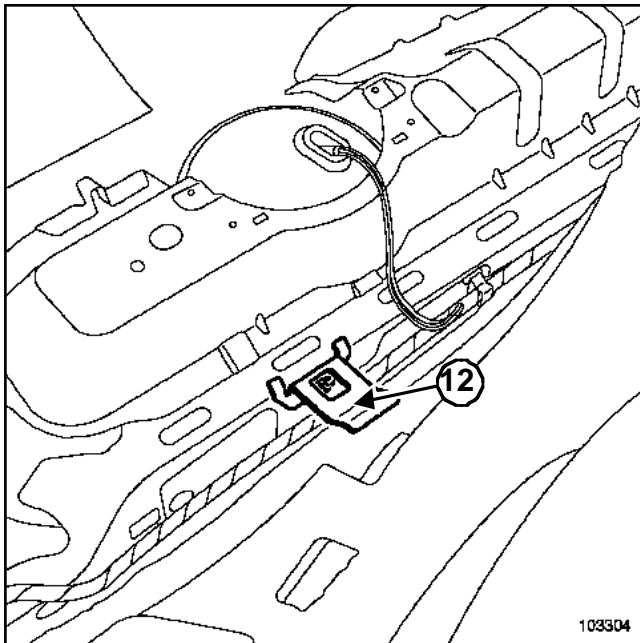
G84 or S84



102103

102103

- Remove the clip by applying pressure with the screwdriver.



103304

103304

- Pull back the carpet slightly.
- Remove load stop brackets (12).

REFITTING

- Proceed in the reverse order to removal.
- Tighten to torque:
 - the **bolts (3) (8 Nm)**,
 - the **bolts (6) (2 Nm)**,

- the **bolts (9) (21 Nm)**,
- the **bolts (12) (21 Nm)**,

SIDE OPENING ELEMENT LINING

Front side door trim: Removal - Refitting

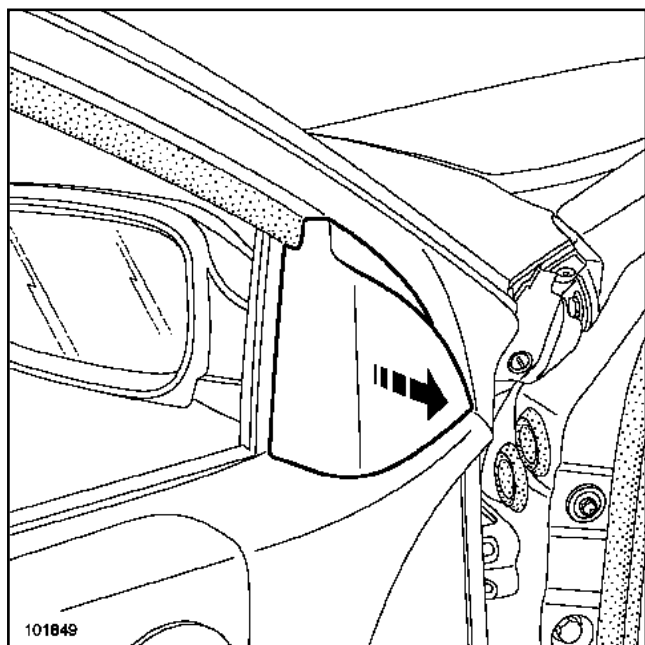
72A

B84 or C84

Note:

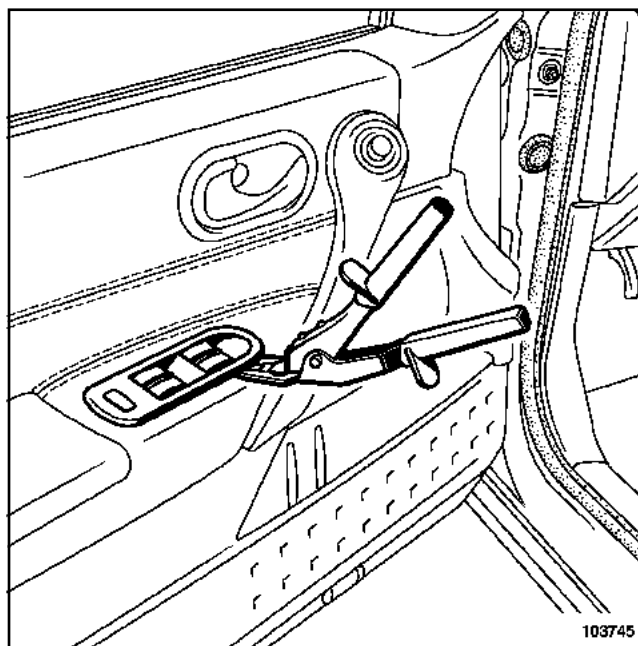
In the event of a door replacement or operation on the bodywork (see 47A, **Side opening elements, Front side door**).

REMOVAL



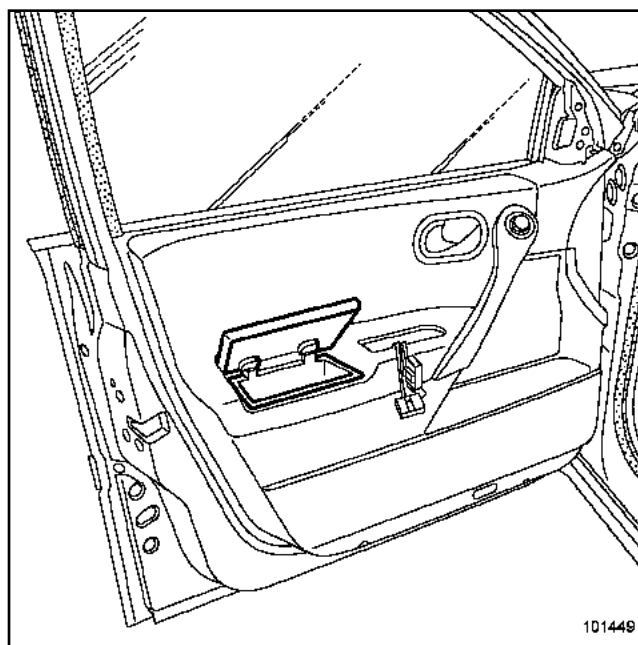
- Unclip the inner cover.

101849



103745

- Protect the trim (e.g. with a mastic knife) and unclip the window riser plate using a pair of unclipping pliers.
- Disconnect the connectors.



101449

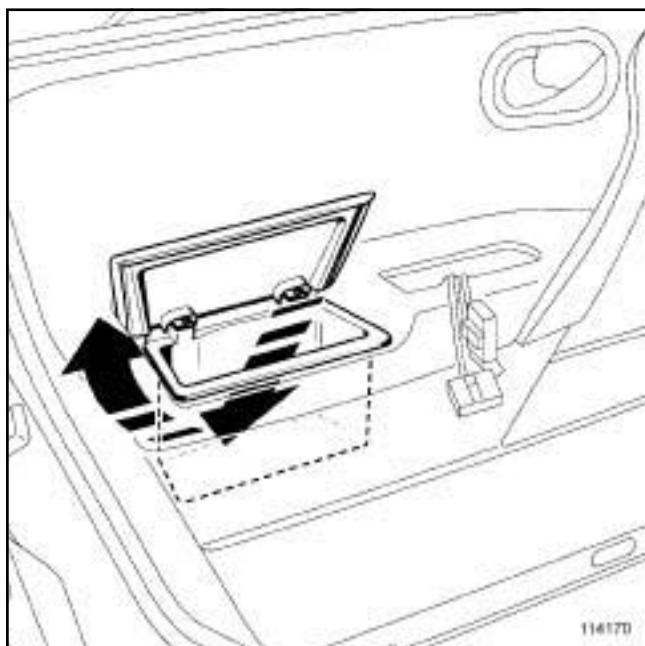
- Remove the clips from inside the glovebox.

SIDE OPENING ELEMENT LINING

Front side door trim: Removal - Refitting

72A

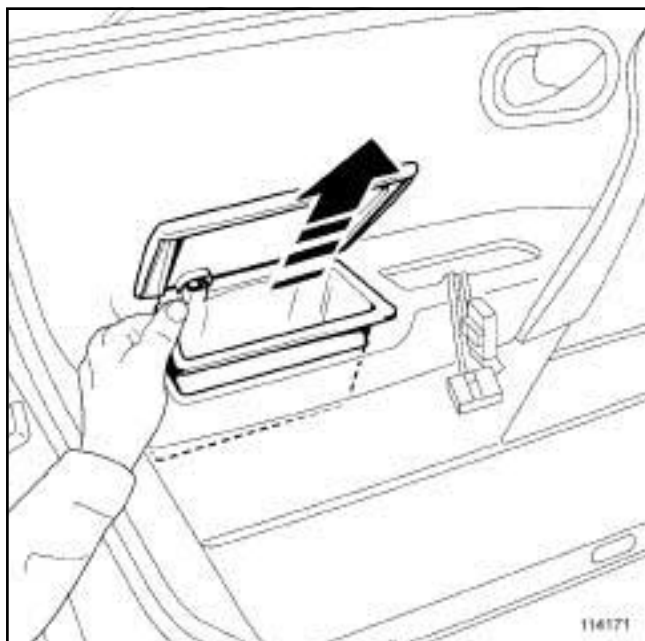
B84 or C84



114170

- Put one hand into the back of the glovebox.

Push your hand into the inner door box section up to the glovebox clip area.

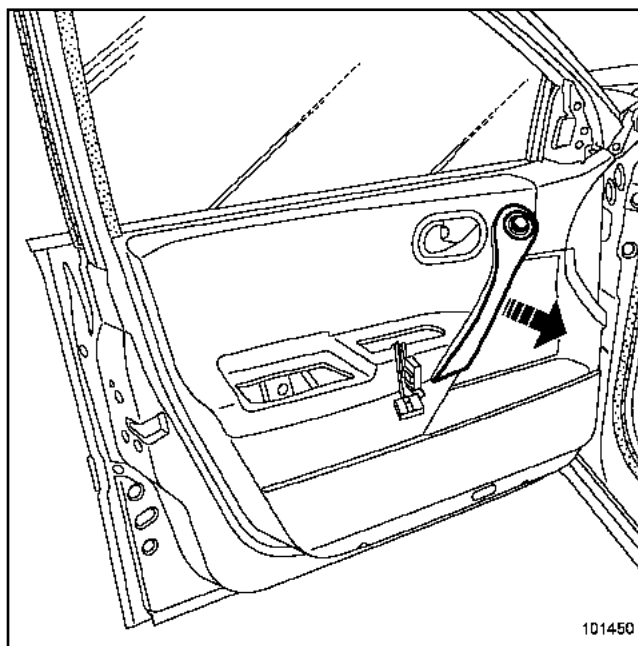


114171

- Remove the glovebox from its housing.

WARNING

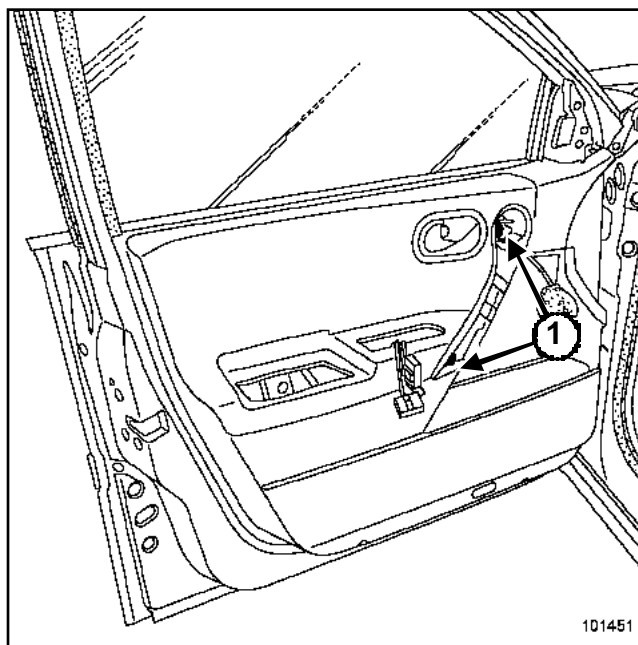
Do not pull on the glovebox cover.



101450

101450

- Unclip the pull handle cover.
- Disconnect the door mirror switch connector.



101451

101451

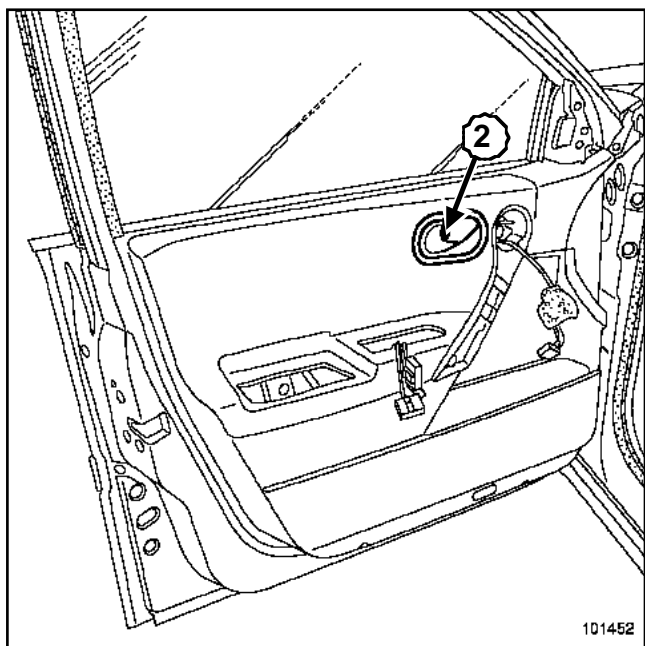
- Remove the bolts (1).

SIDE OPENING ELEMENT LINING

Front side door trim: Removal - Refitting

72A

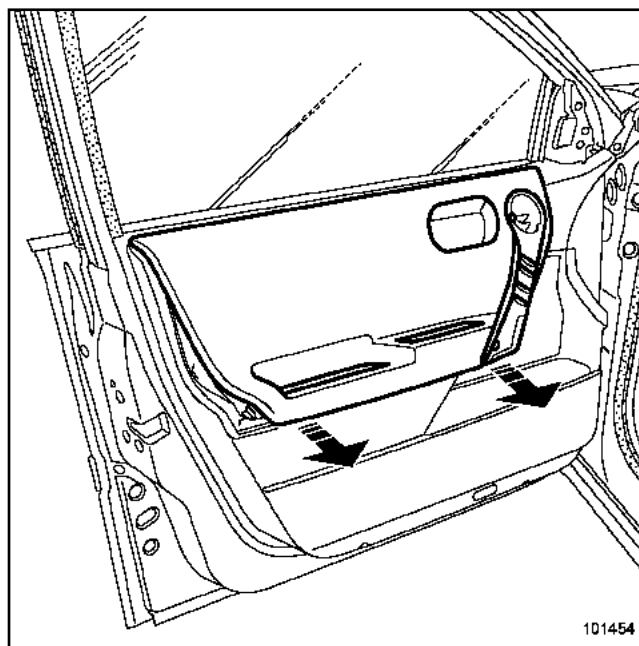
B84 or C84



101452

101452

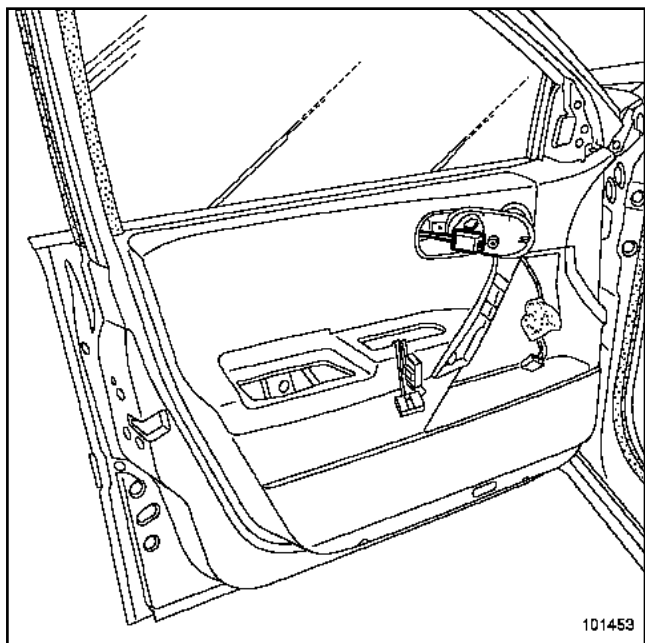
- ❑ Remove:
 - the cover and the bolt (2),
 - the door handle.



101454

101454

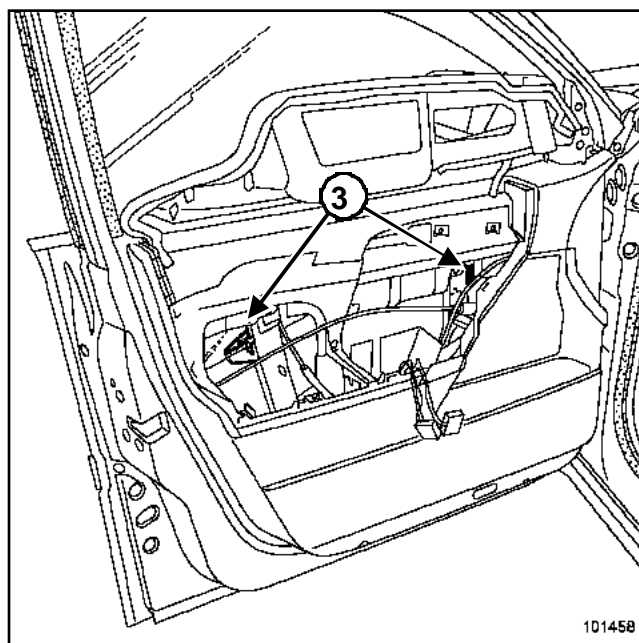
- ❑ Unclip the trim flap with a pair of unclipping pliers (while protecting the trim).
- ❑ Open the flap and hold it open (using masking tape).



101453

101453

- ❑ Using a flat-blade screwdriver, unclip the opening handle cable mounting cover.



101458

101458

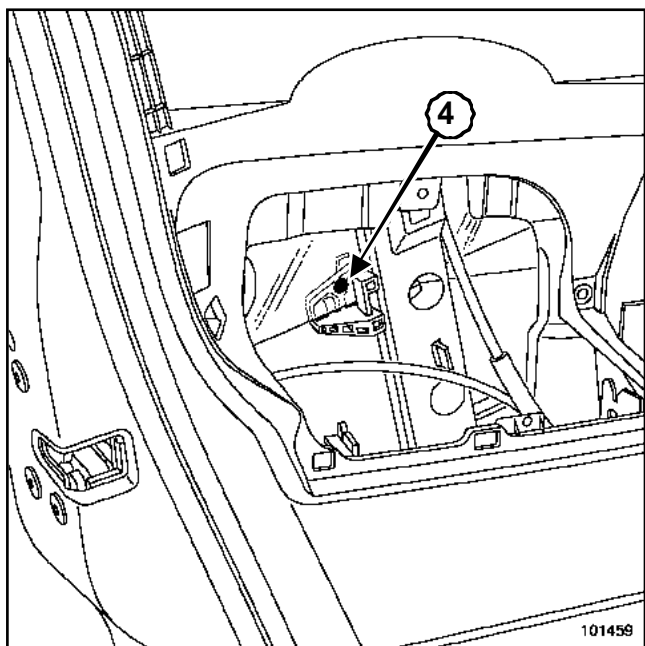
- ❑ Position the window in such a way to gain access to mounting clips (3).

SIDE OPENING ELEMENT LINING

Front side door trim: Removal - Refitting

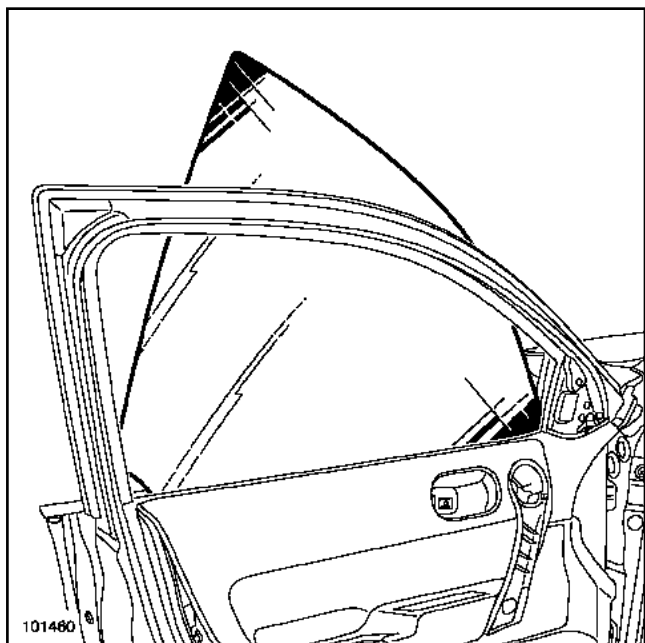
72A

B84 or C84



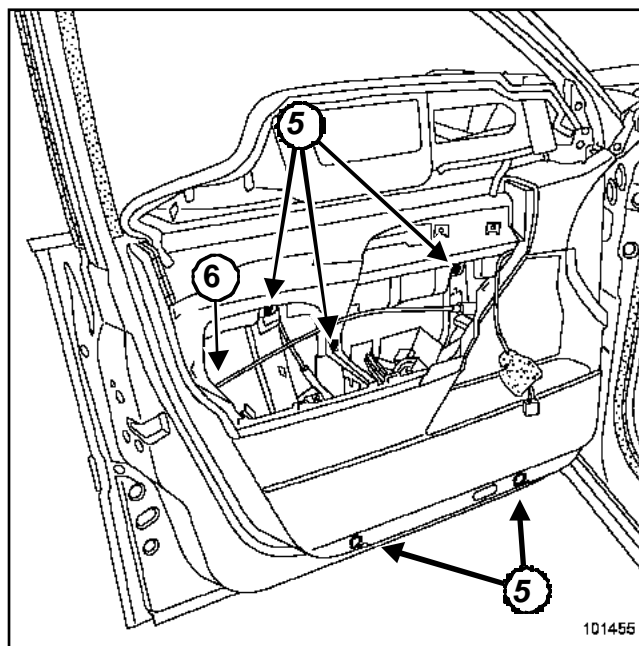
101459

- ❑ Remove the lug (4) by pulling the window upwards.
- ❑ Unclip the speaker grille to access to the right-hand clip.



101460

- ❑ Remove the window.



101455

- ❑ Disconnect lock connector (6) and the handle module connectors (if the vehicle is equipped with the hands-free function).
- ❑ Remove the bolts (5).

Note:

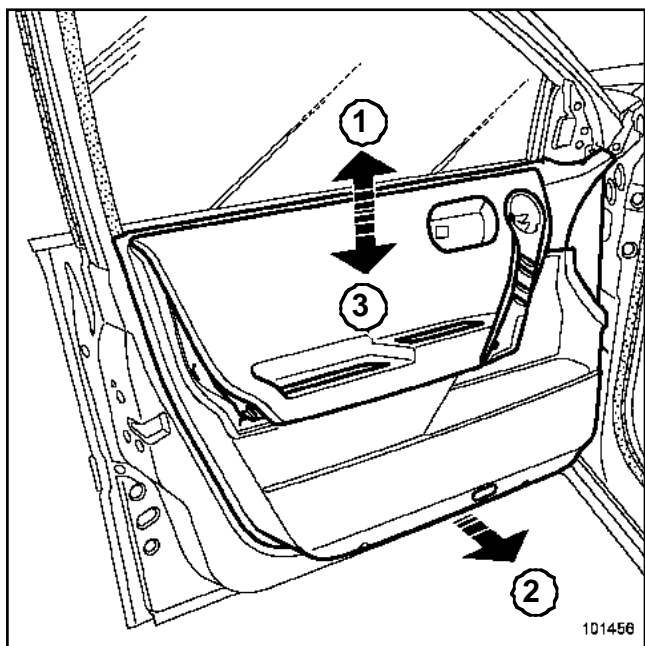
The window riser motor and the wiring harness are attached to the trim.

SIDE OPENING ELEMENT LINING

Front side door trim: Removal - Refitting

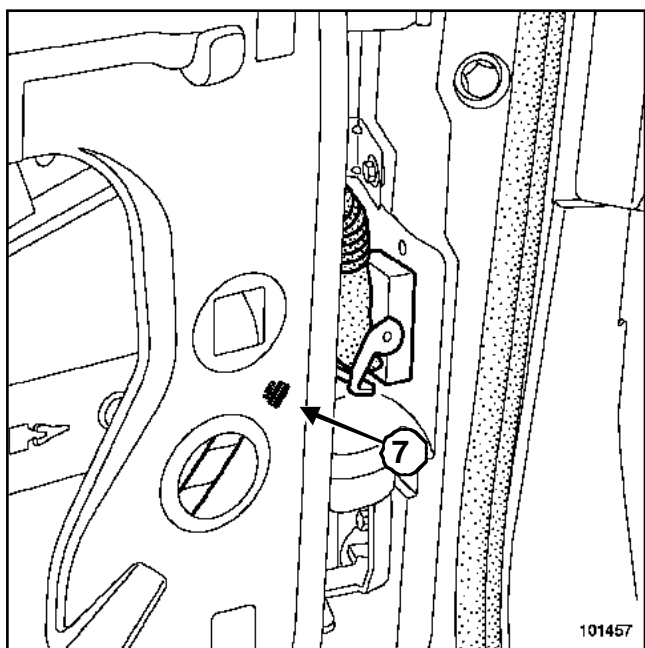
72A

B84 or C84



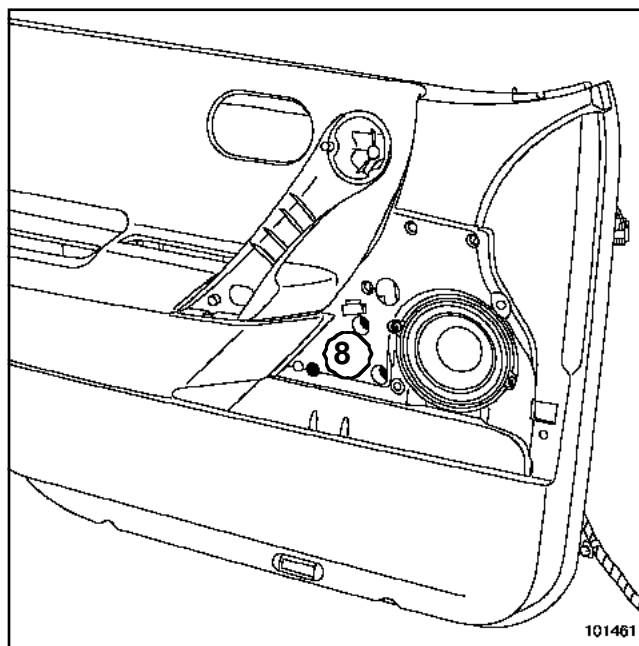
101456
101456

- Remove the trim by pulling it upwards (1).
- Remove the trim.
- Remove the window riser drive carriages from the box section at the lower section (2).
- Remove the trim by pulling it downwards (3).



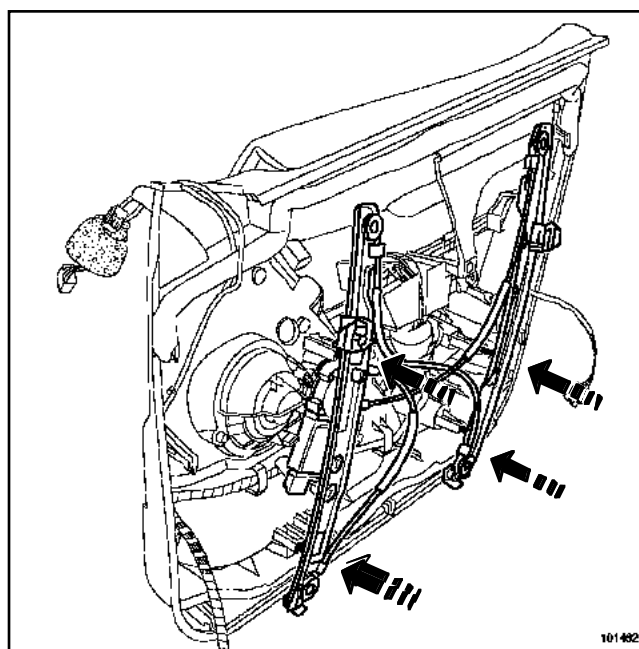
101457
101457

- Disconnect the connector from the A-pillar.
- Unfasten clip (7).
- Remove the « trim/window riser motor/harness » assembly.



101461
101461

- Remove:
 - the three motor mountings (8),
 - the speaker bolts.
- Remove the speaker.



101462
101462

- Disconnect the window riser motor.
- Unclip the four drive carriage mounting bolts from the trim.
- Remove the window riser motor.

SIDE OPENING ELEMENT LINING

Front side door trim: Removal - Refitting

72A

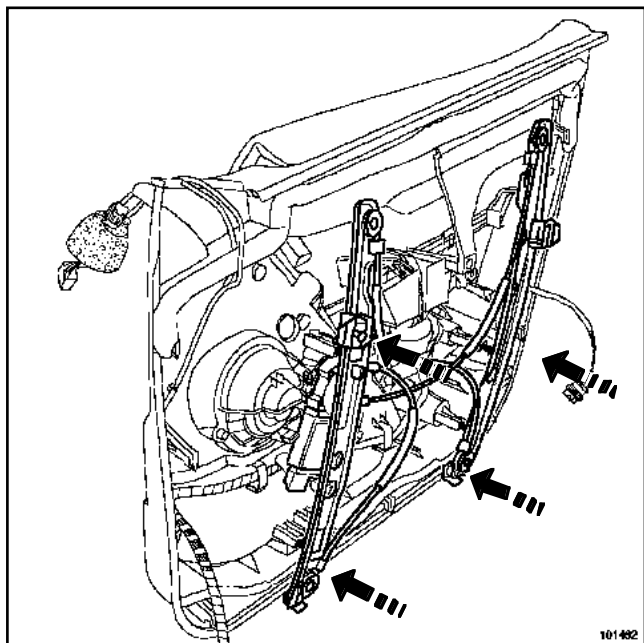
B84 or C84

REFITTING

□

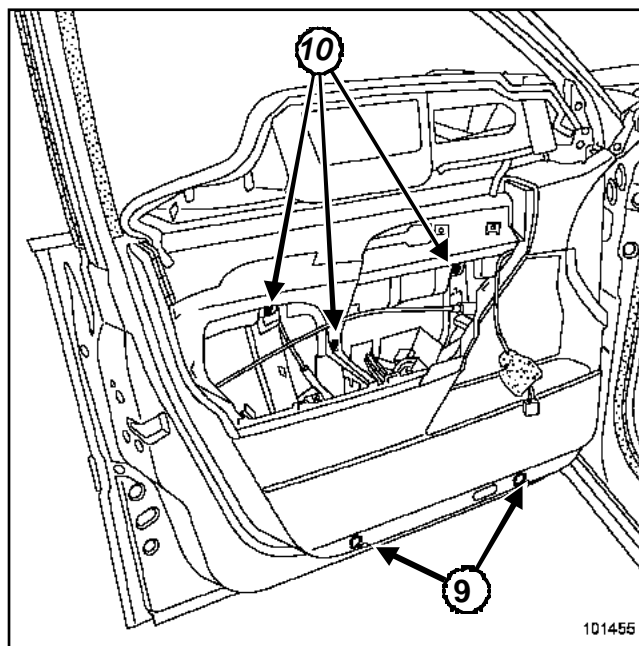
Note:

In the event of a replacement, the trim will be supplied separately. It is therefore important to remember the harness routing.



101462

- Clip the drive carriages onto the trim.
- Position the window riser motor.
- Offer up the assembly to the door.
- Connect the connector to the A-pillar.
- Insert the upper section of the drive carriages into the door box section.
- Fit the lower section of the trim, taking care to insert the window riser drive carriages.
- Lower the trim.



101455

- Fit:
 - the lower bolts (9),
 - the upper bolts (10).
- Proceed in the reverse order to removal.

WARNING

When refitting the window riser plate connectors, replace the adhesive sealing foam around the connectors if necessary.

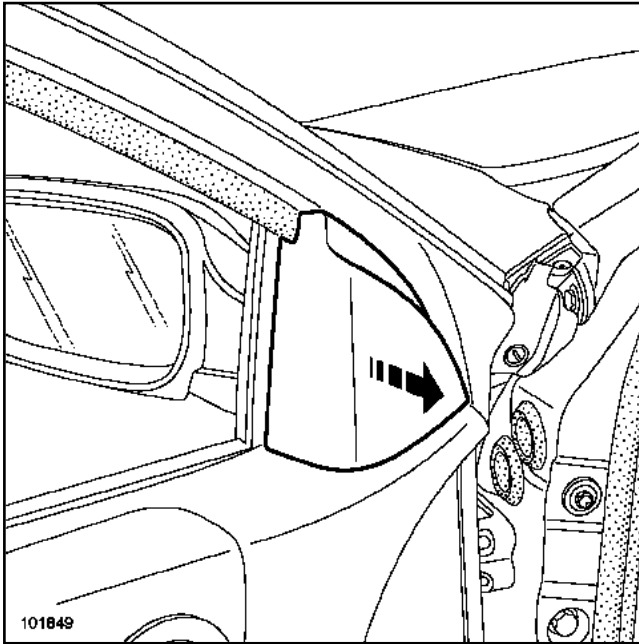
SIDE OPENING ELEMENT LINING

Front door flap: Removal - Refitting

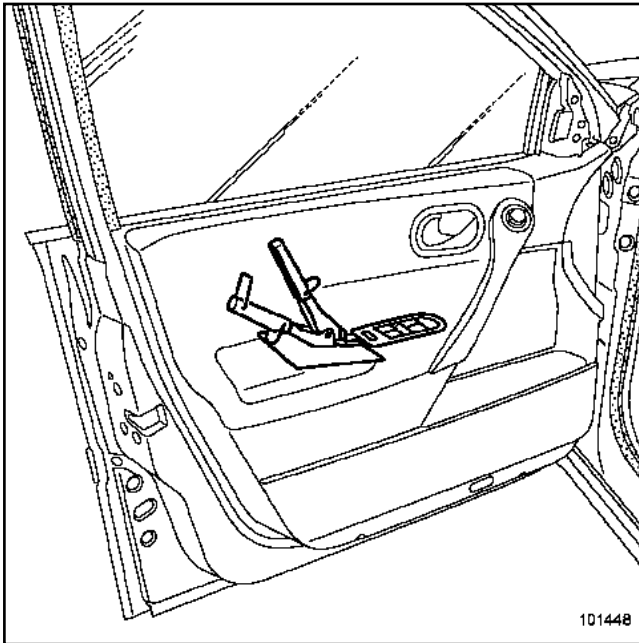
72A

B84 or C84

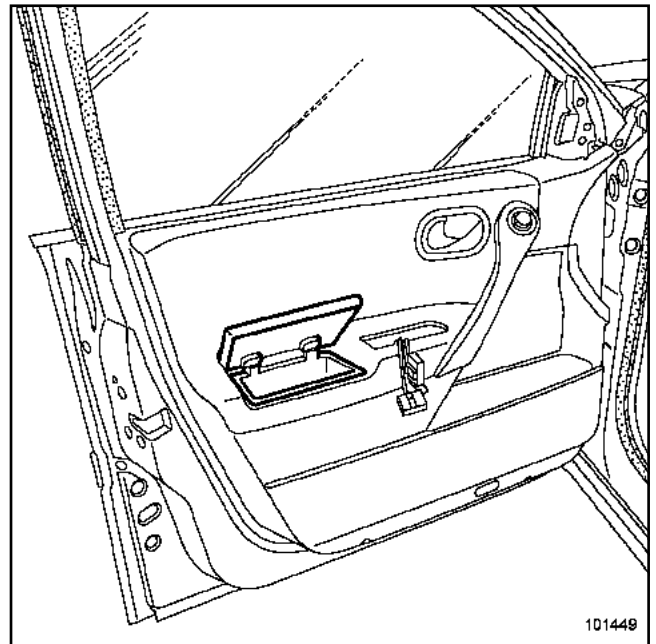
REMOVAL



- ❑ Unclip the inner cover.



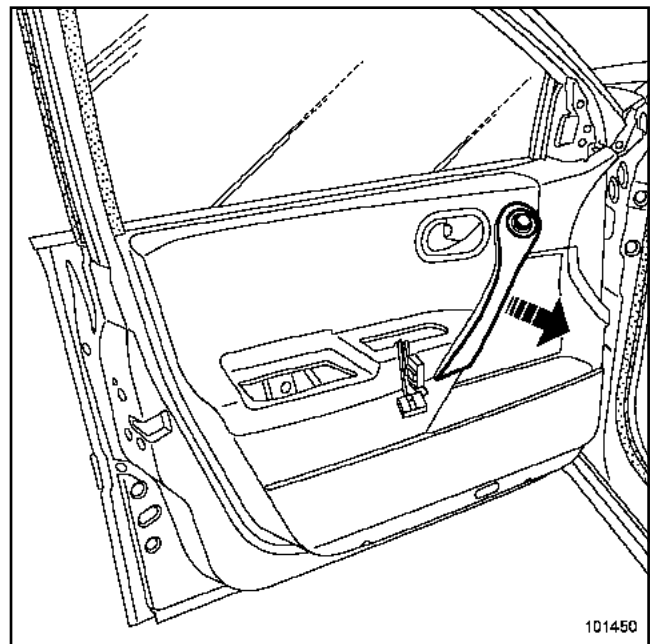
- ❑ Protect the trim (e.g. with a mastic knife) and unclip the window rider plate (at the rear) using a pair of unclipping pliers.
- ❑ Disconnect the connectors.



- ❑ Remove the clips from inside the glovebox.
- ❑ Unclip the glovebox from the door.

WARNING

Do not pull the glovebox cover.



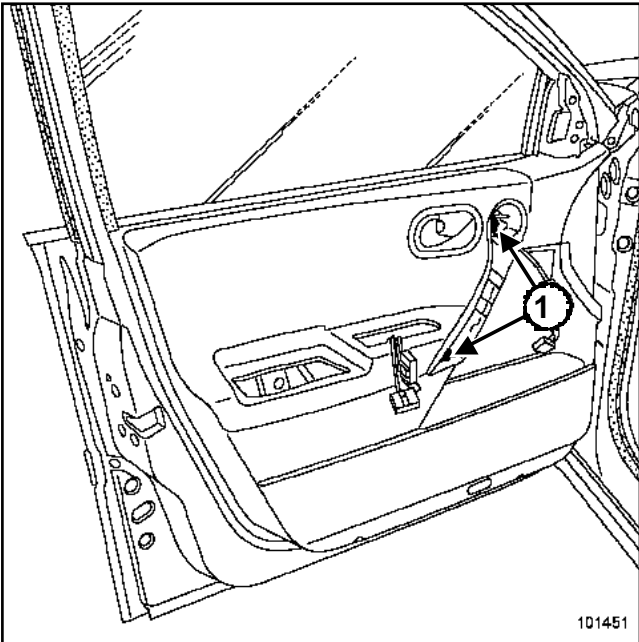
- ❑ Unclip the grab handle cover.
- ❑ Disconnect the door mirror switch connector.

SIDE OPENING ELEMENT LINING

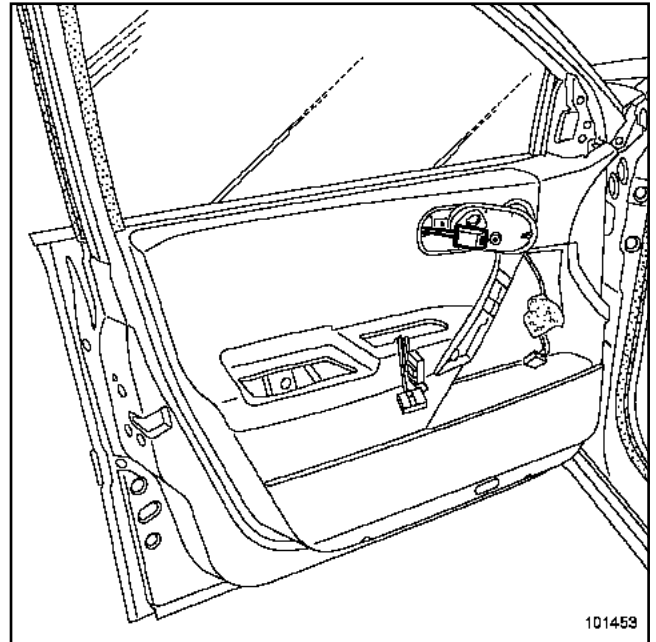
Front door flap: Removal - Refitting

72A

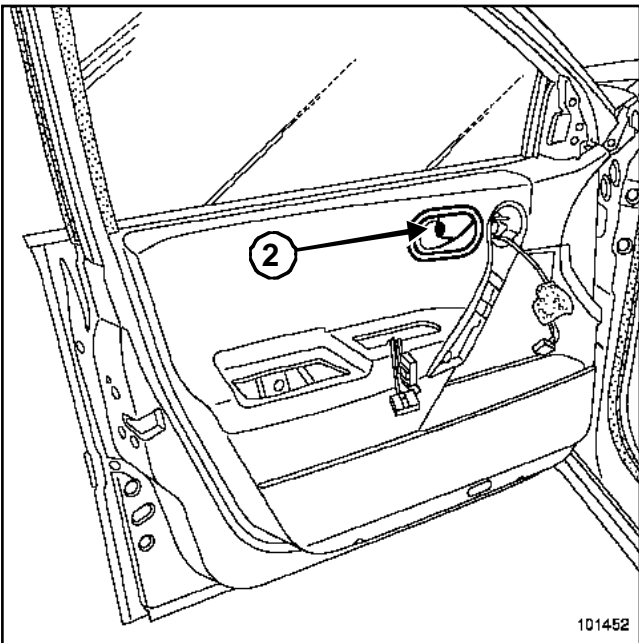
B84 or C84



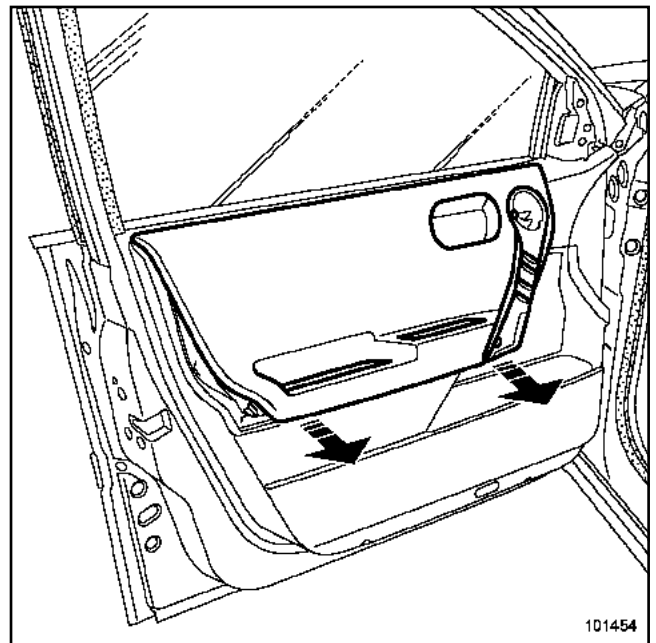
- ❑ Remove bolts (1).



- ❑ Using a flat-blade screwdriver, unclip the opening handle cable mounting cover.



- ❑ Remove the door opening handle cover and bolt (2).



- ❑ Unclip the trim flap with a pair of unclipping pliers (while protecting the trim).
- ❑ Open the flap.

SIDE OPENING ELEMENT LINING

Front door flap: Removal - Refitting

72A

B84 or C84

REFITTING

- Proceed in the reverse order to removal.

WARNING

When refitting the window riser plate connectors, replace the adhesive sealing foam around the connectors if necessary.

SIDE OPENING ELEMENT LINING

Rear side door trim: Removal - Refitting

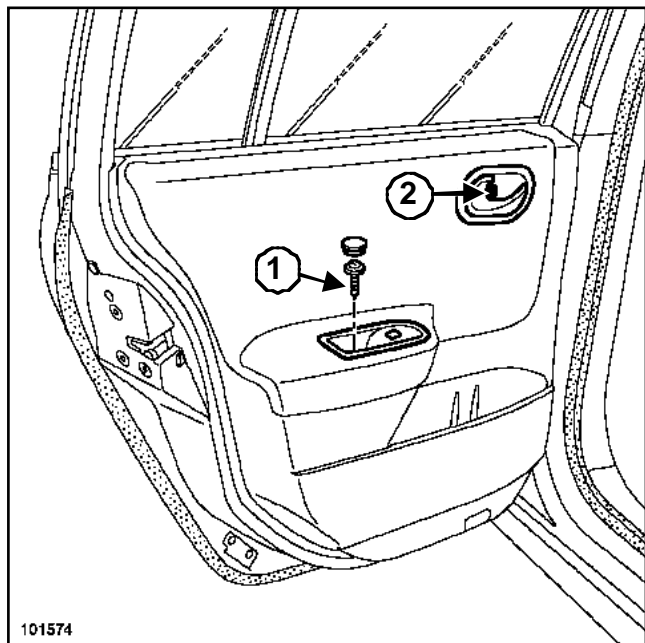
72A

B84

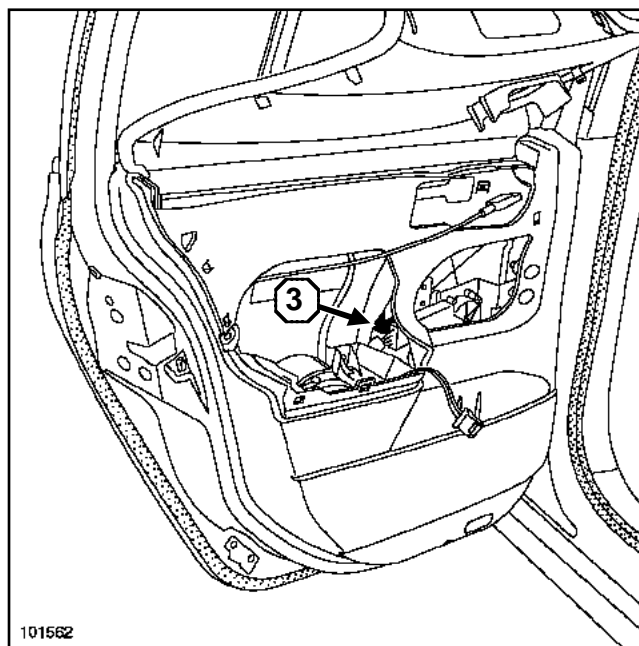
Note:

In the event of a door replacement or operation on the bodywork (see 47A, **Side opening elements, Rear side door**).

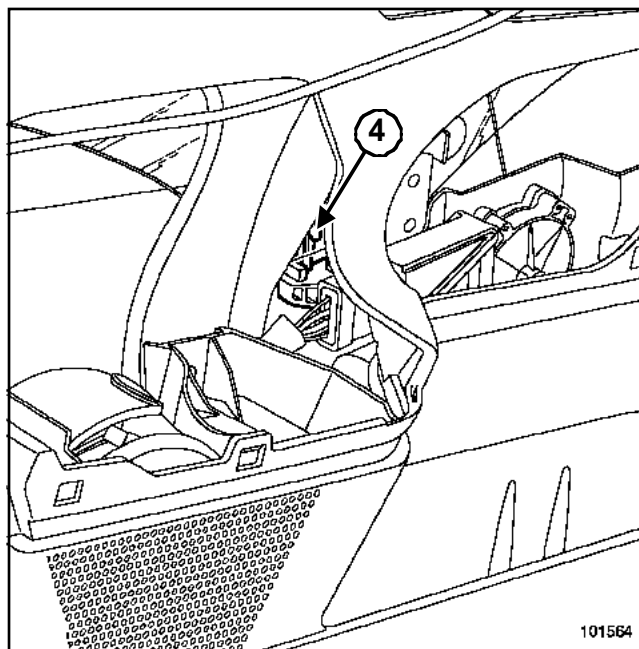
REMOVAL



- Remove the cover and bolt (1) from the window riser plate.
- Remove the plate.
- Remove the door opening handle cover and bolt (2).



- Position the window to gain access to the mounting clip (3).



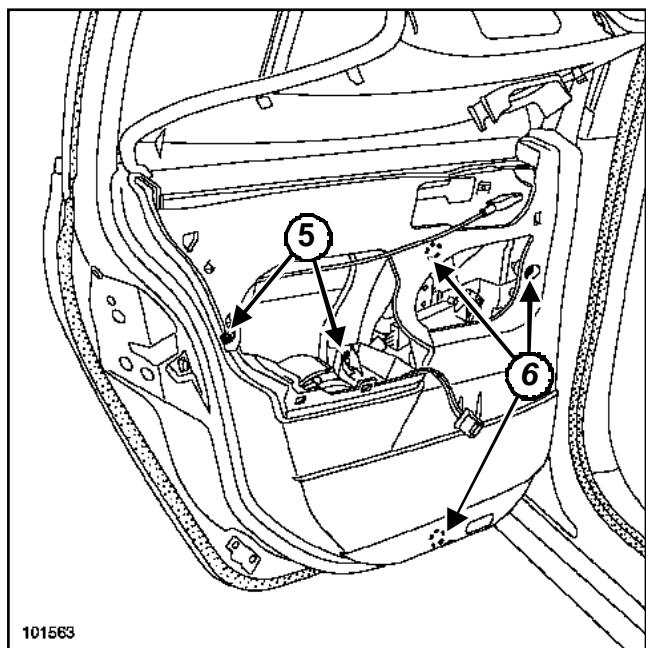
- Remove lug (4) while pulling upwards using a flat-blade screwdriver.
- Lock the window in the fully closed position.

SIDE OPENING ELEMENT LINING

Rear side door trim: Removal - Refitting

72A

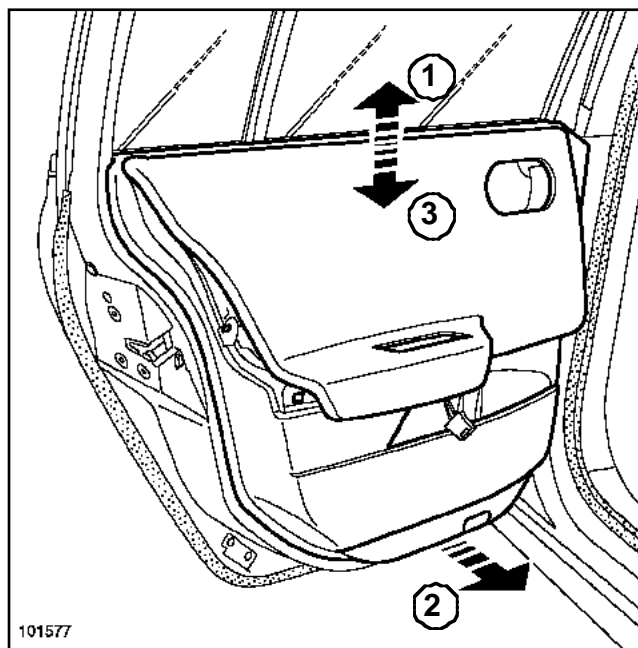
B84



101563

Remove:

- the bolts (5),
- window riser motor bolts (6).



101577

101577

Note:

The window riser motor and the wiring harness are attached to the trim.

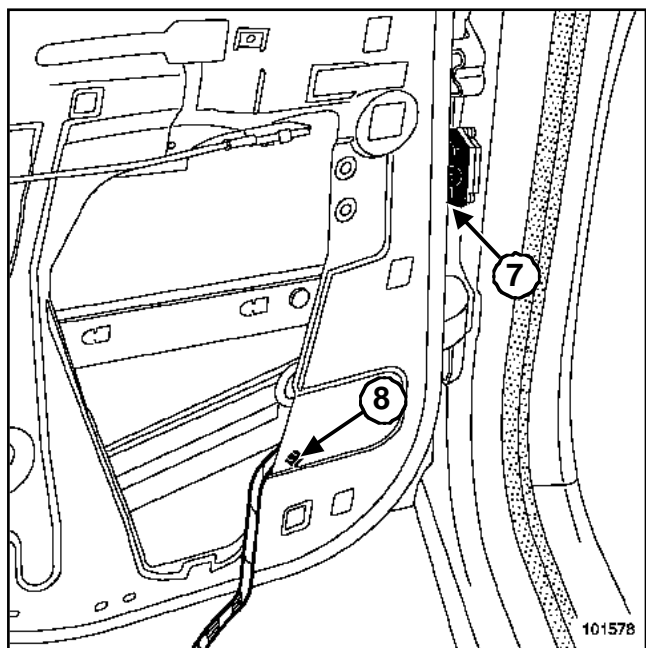
- Remove the trim upwards (1).
- Remove the trim.
- Remove the electric window drive carriage from the box section at the lower section (2).
- Remove the trim downwards (3).

SIDE OPENING ELEMENT LINING

Rear side door trim: Removal - Refitting

72A

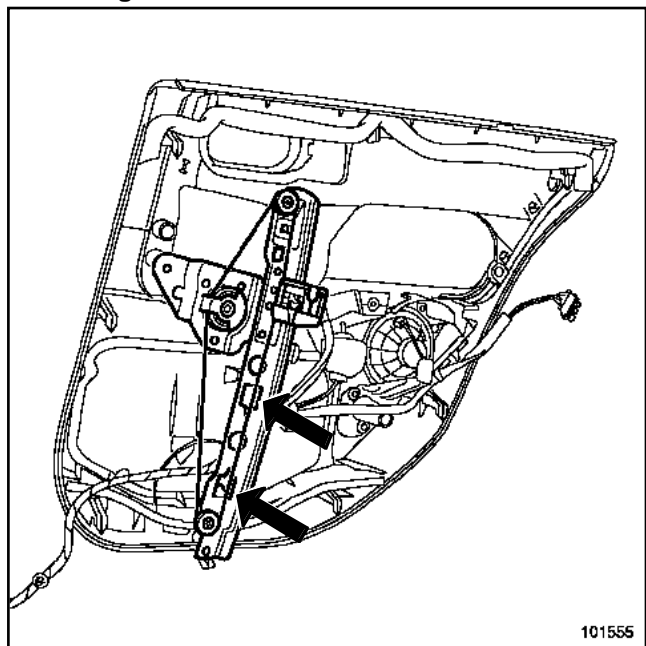
B84



101578

- Disconnect B-pillar connector (7).
- Unclip the clips (8).
- Remove the « trim/window riser motor/harness » assembly.

Removing the window riser motor



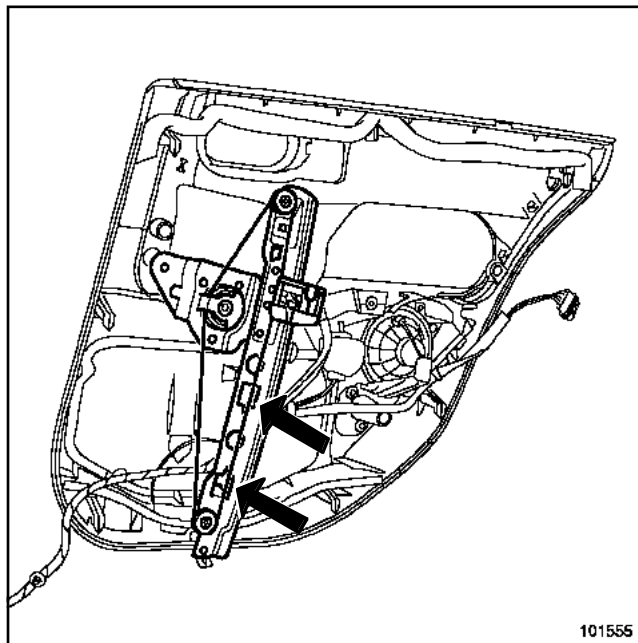
101555

- Disconnect the window riser motor.
- Unclip the two window riser drive carriage mounting bolts from the trim.
- Remove the window riser motor.

REFITTING

Note:

In the event of a replacement, the trim will be supplied separately. It is therefore important to remember the harness routing.



101555

101555

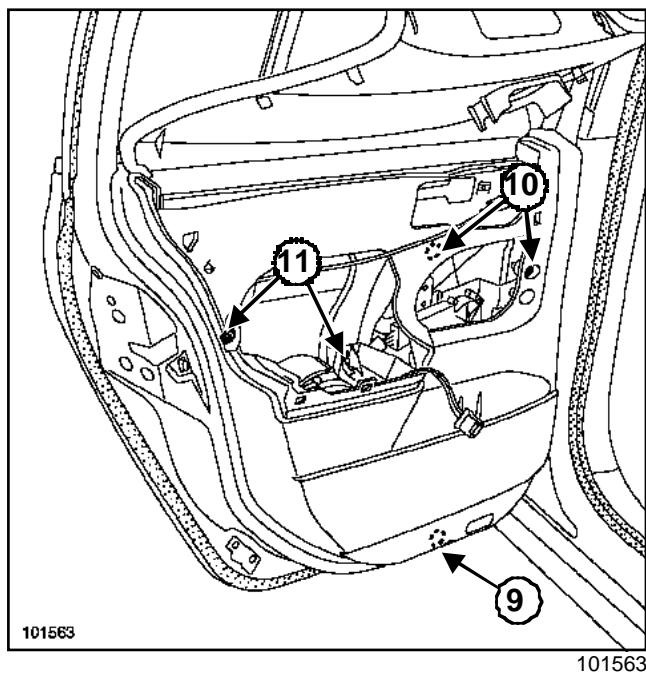
- Clip the motor assembly to the trim.
- Offer up the assembly to the door.
- Insert the upper section of the drive carriages into the door box section.
- Fit the lower section of the trim, taking care to insert the window riser drive carriages.
- Lower the lining.

SIDE OPENING ELEMENT LINING

Rear side door trim: Removal - Refitting

72A

B84



- Fit:
 - lower bolt (9) and upper bolts (10),
 - bolts (11).
- Proceed in the reverse order to removal.

WARNING

When refitting the window riser plate connectors, replace the adhesive sealing foam around the connectors if necessary.

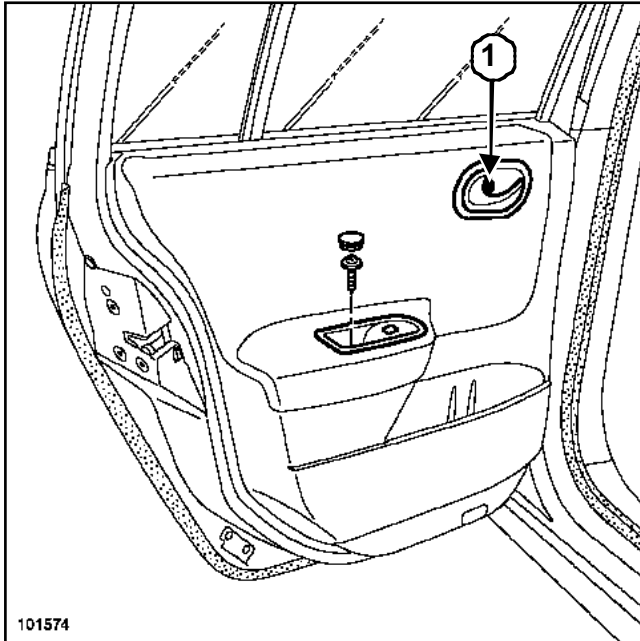
SIDE OPENING ELEMENT LINING

Rear door flap: Removal - Refitting

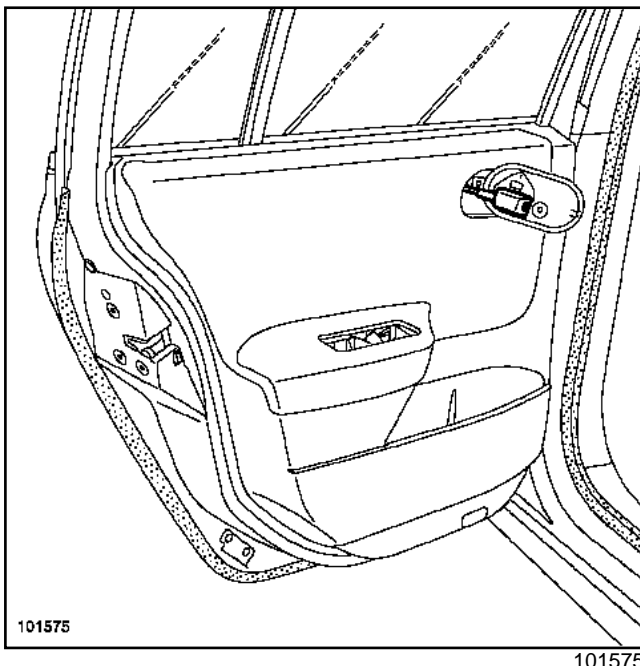
72A

B84

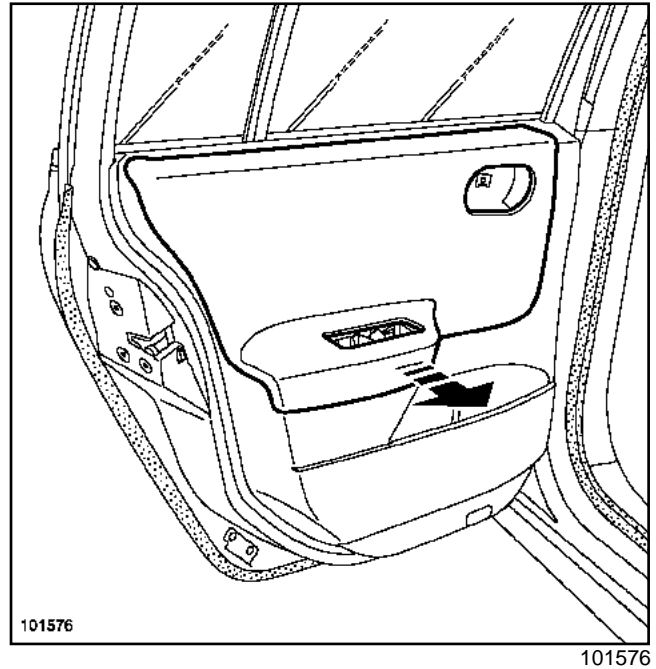
REMOVAL



- Remove:
 - the window riser plate cover,
 - the window riser plate bolt.
- Remove the plate.
- Remove:
 - the cover from the door opening handle,
 - door opening handle bolt (1).



- Using a flat-blade screwdriver, unclip the opening handle cable mounting cover.



- Unclip the trim flap with a pair of unclipping pliers (while protecting the trim).
- Open the flap.

REFITTING

- Proceed in the reverse order to removal.

WARNING

When refitting the window riser plate connectors, replace the adhesive sealing foam around the connectors if necessary.

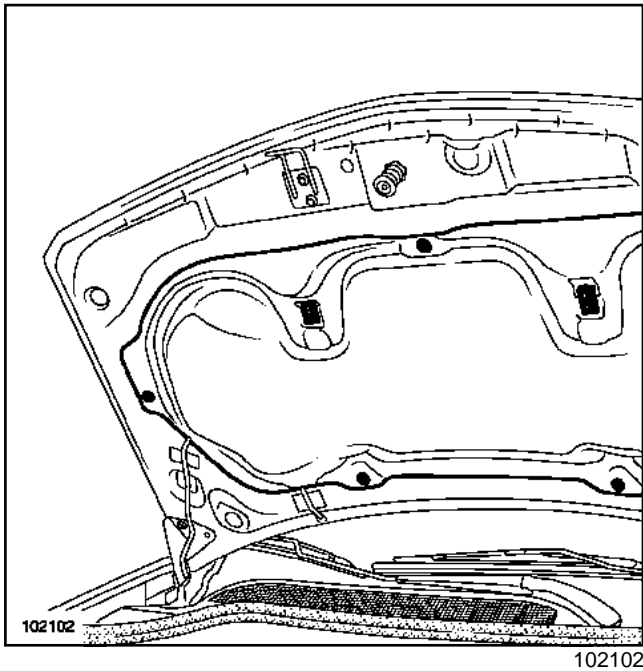
NON-SIDE OPENING ELEMENT LINING

Bonnet soundproofing: Removal - Refitting

73A

B84 or C84

REMOVAL



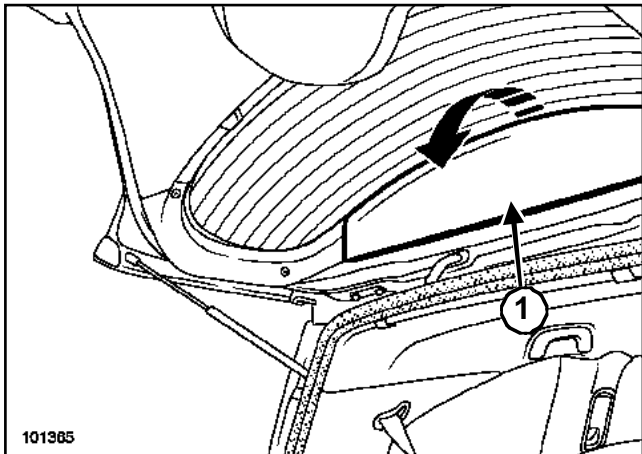
- Unclip the five clips using a pair of unclipping pliers.
- Release the bonnet soundproofing material downwards.

REFITTING

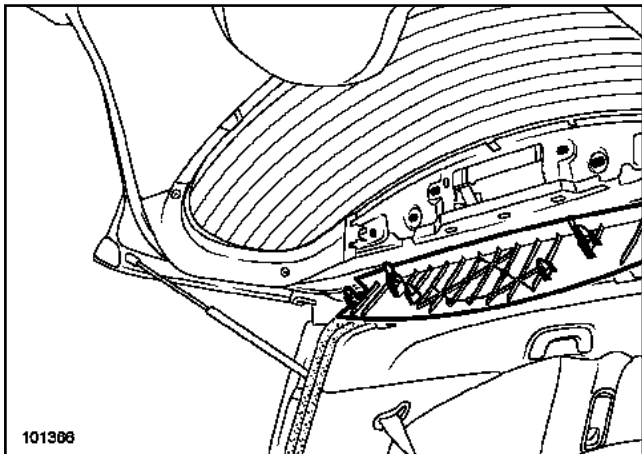
- Replace the clips if necessary.
- To refit, proceed in the reverse order of removal.

B84 or C84

REMOVAL

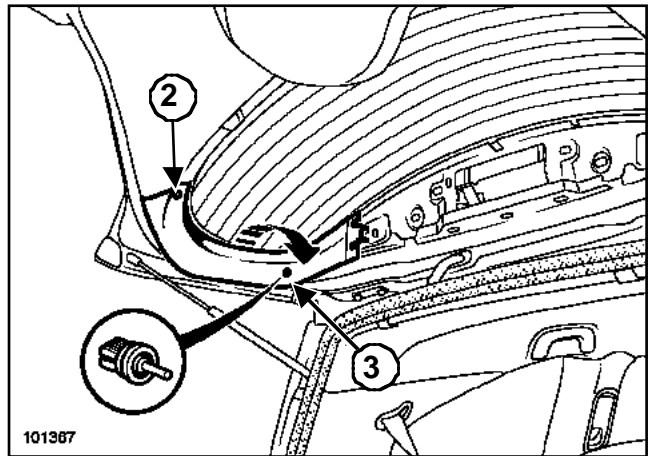


101365



101366

- Unclip upper trim (1) by pulling it.

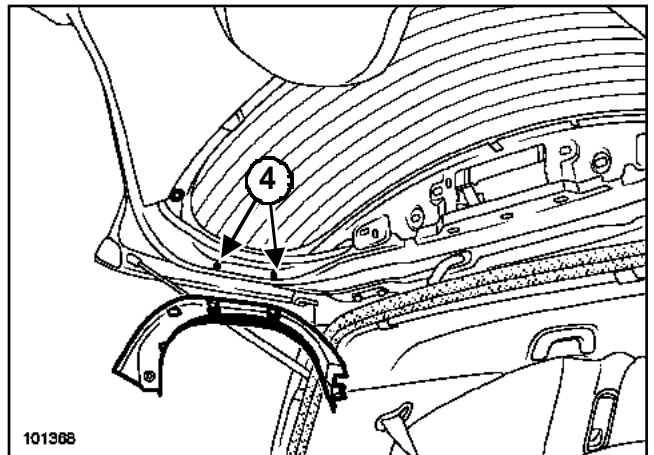


101367

- Remove bolt (2).

Note:

In the event of a faulty rear parcel shelf retaining pin (3), this part is available retail from the Parts Department and can be replaced individually.

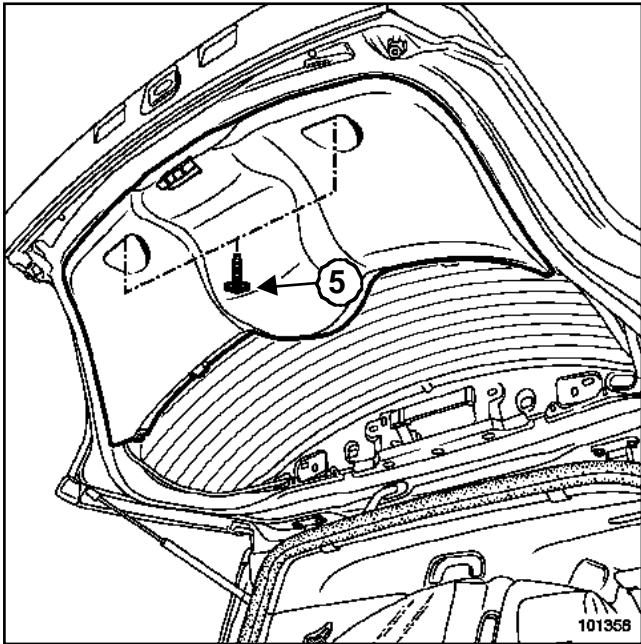


101368

- Release both lower clips (4) to unclip the side trims.

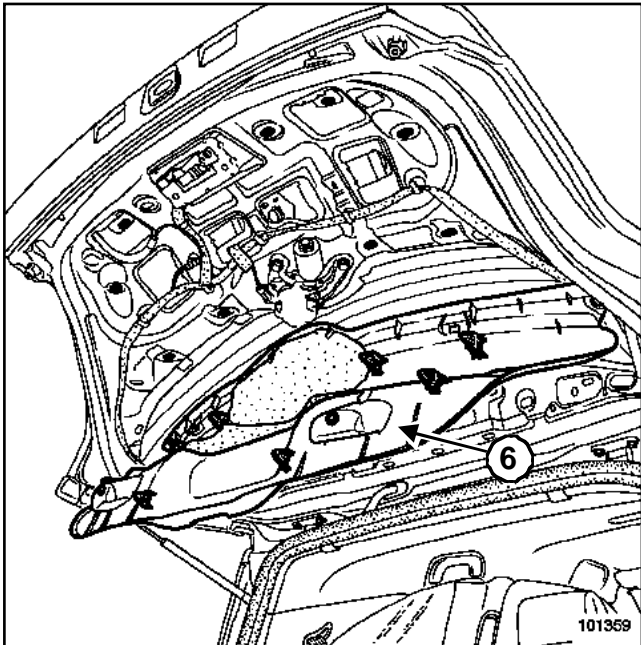
Tailgate lining: Removal - Refitting

B84 or C84



101358

- Remove bolts (5).



101359

- Unclip lower trim (6).

REFITTING

- Proceed in the reverse order to removal.

FRONT SEAT FRAMES AND RUNNERS

Complete front seat: Removal - Refitting

75A

B84 or C84

Equipment required

diagnostic tool

Tightening torques

seat mounting bolts

35 Nm

IMPORTANT

Before carrying out any work on a safety system component, be sure to lock the airbag computer using **diagnostic tool** (refer to **88C, Airbags and pretensioners, airbag computer locking procedure**). When this function is activated, all the trigger lines are inhibited and the airbag warning light on the instrument panel lights up continuously (ignition on).

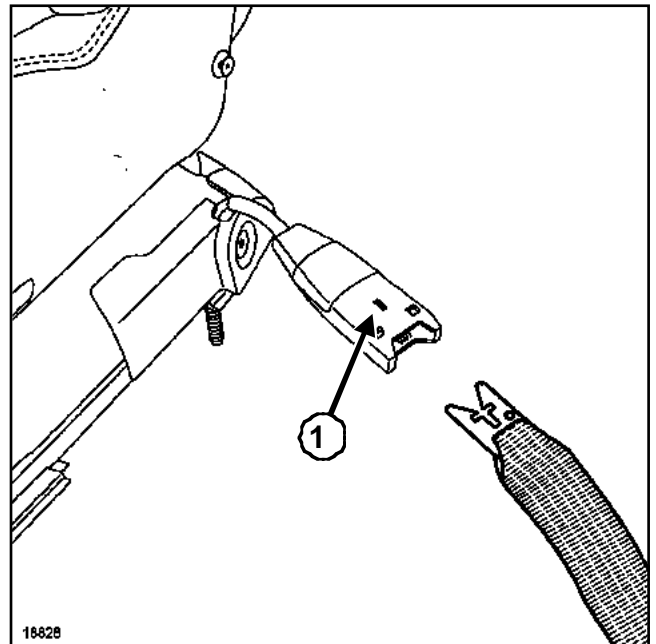
IMPORTANT

It is not permitted to handle the pyrotechnic systems (airbags and pretensioners) near a source of heat or flame since there is a risk of these being triggered.

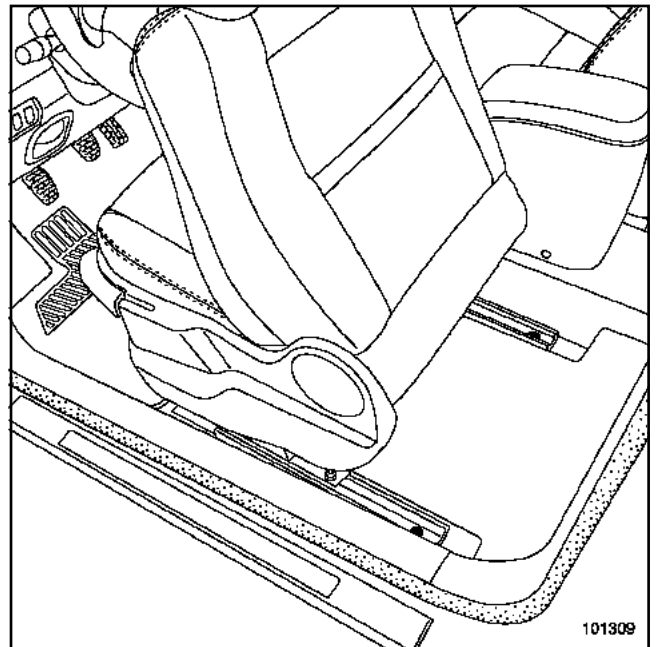
REMOVAL

Protect:

- the front door sill lining,
- the carpet.



- Undo the seat belt by pressing the catch (1).



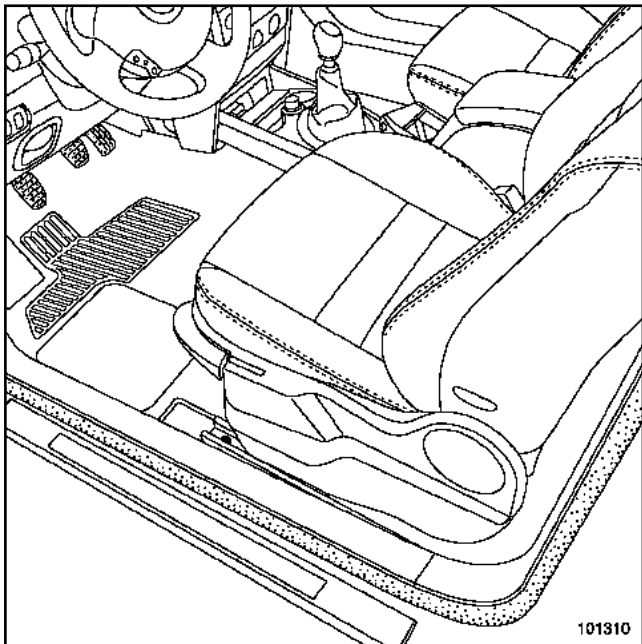
- Move the seat to the forward position.
- Remove the rear mounting bolts.

FRONT SEAT FRAMES AND RUNNERS

Complete front seat: Removal - Refitting

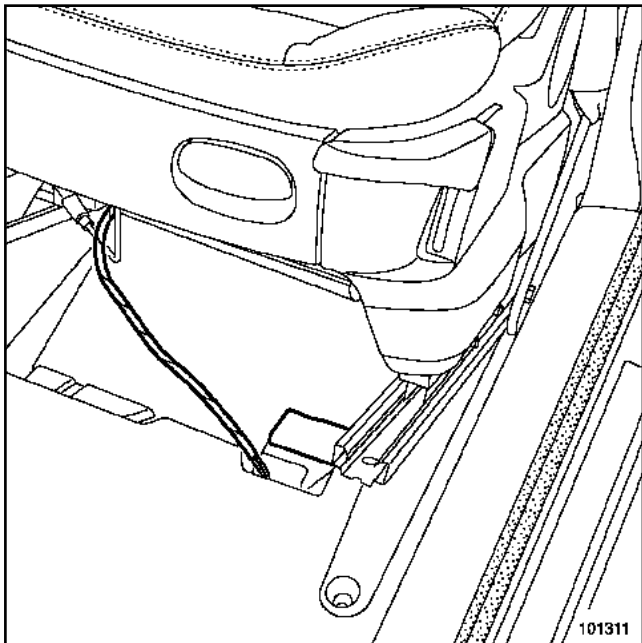
75A

B84 or C84



101310

- Move the seat to the rear position.
- Remove the front mounting bolts.

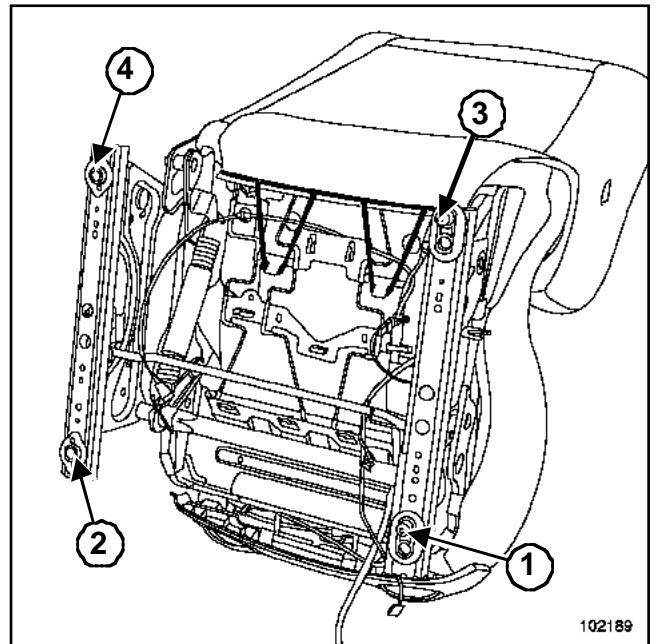


101311

- Disconnect the connector under the seat.
- Remove the seat (this operation requires two people).

REFITTING

- Position and lock the runners as far forward as possible before refitting the seat in the vehicle.



102189

- Proceed in the reverse order to removal.
-

WARNING

Observe the tightening order for the seat bolts.

- Pre-tighten the two front bolts:
 - bolt (1) towards the inside of the vehicle,
 - bolt (2) towards the outside of the vehicle.
- Move the seat forward, checking that the runners are positioned symmetrically.
- Tighten to torque the **seat mounting bolts (35 Nm)**:
 - bolt (3) towards the inside of the vehicle,
 - bolt (4) towards the outside of the vehicle.
- Move the seat forward.
- Tighten to torque the two front bolts (1) and (2).

B84 or C84

Special tooling required

Car. 1597	Lever for removing rear turning handle clips
------------------	--

Equipment required

diagnostic tool

Tightening torques

seatback mounting nuts	66 Nm
seatback mounting bolts	25 Nm
anti-submarining airbag mounting bolts	8 Nm

REMOVAL

□

IMPORTANT

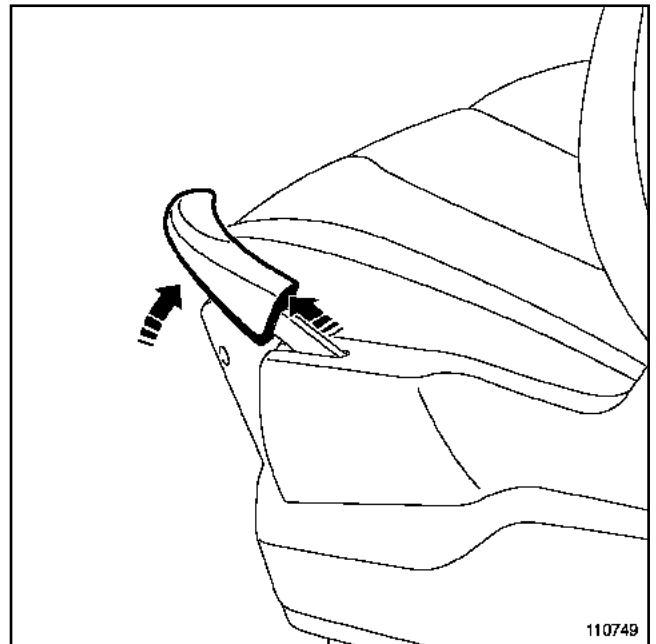
Before carrying out any work on a safety system component, be sure to lock the airbag computer using **diagnostic tool** (refer to **88C, Airbags and pretensioners, Airbag computer locking procedure**). When this function is activated, all the trigger lines are inhibited and the airbag warning light on the instrument panel lights up continuously (ignition on).

IMPORTANT

It is prohibited to handle the pyrotechnic systems (airbags and pretensioners) near a source of heat or flame due to the risk of triggering them.

□ Remove:

- the seat (see **75A, Front seat frames and runners, Complete front seat**,
- the headrest.



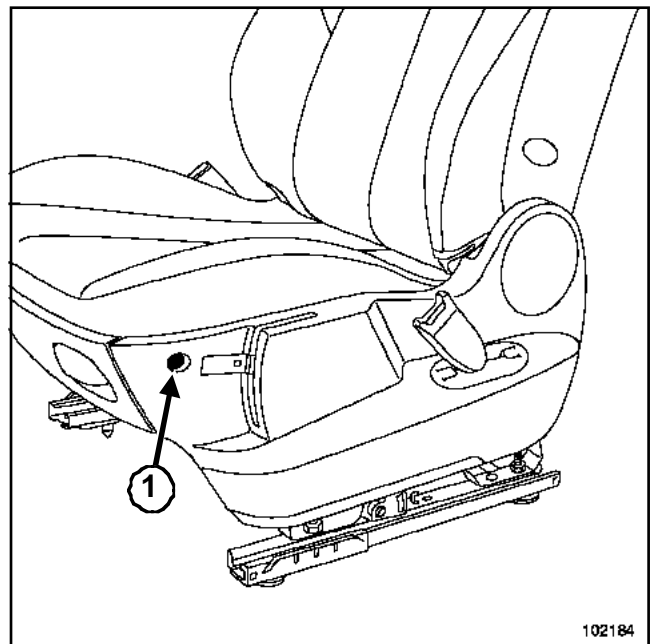
110749

110749

□

Note:

Protect the handle of the raising control (using masking tape) and tap the rear section of the control whilst holding it in a slightly raised position.

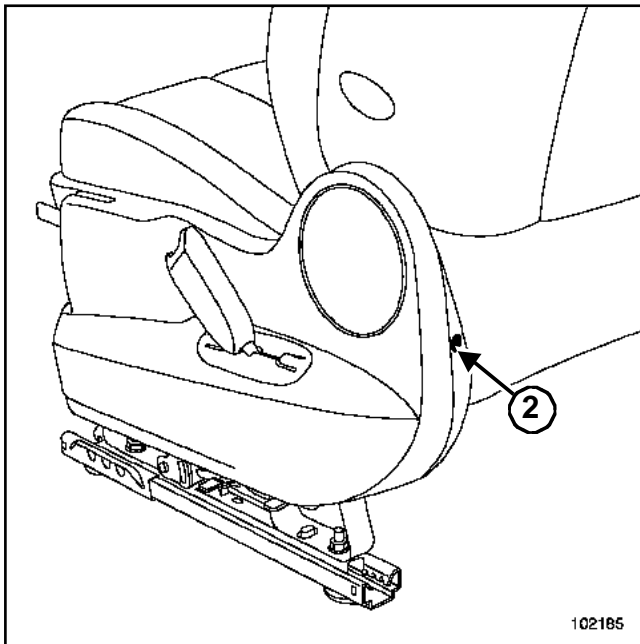


102184

102184

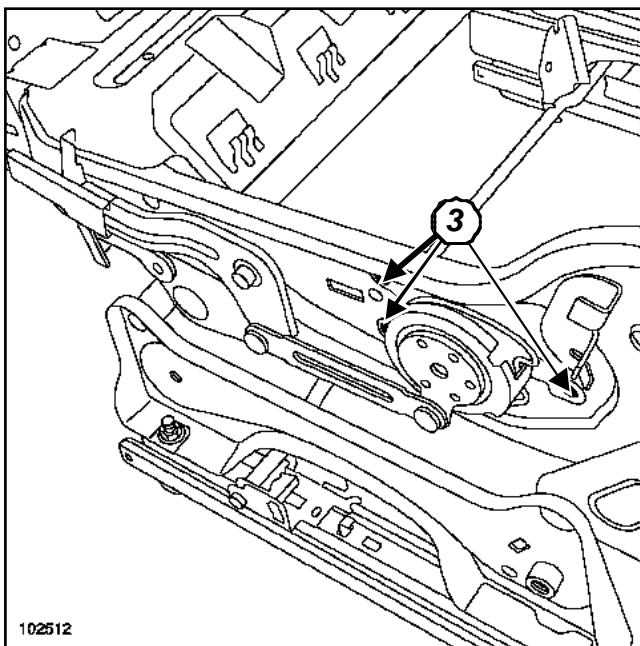
□ Remove housing bolt (1).

B84 or C84

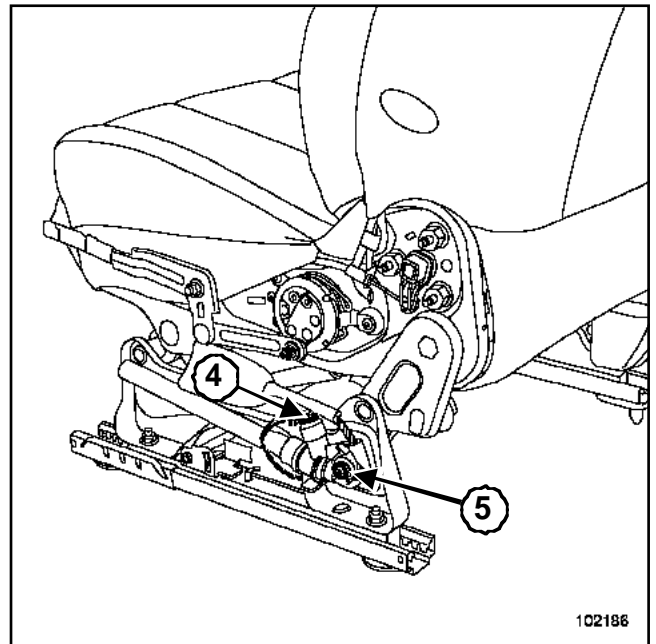


- Remove housing bolt (2).
- Remove the housing.

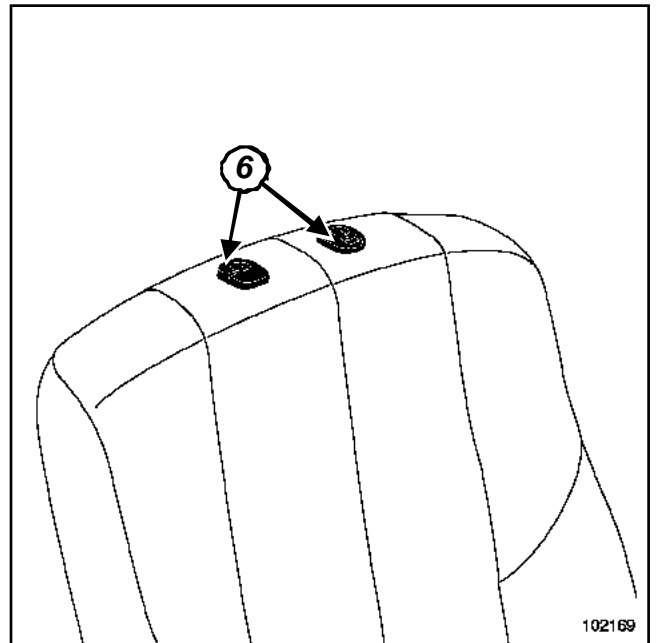
I - REMOVING THE RAISING MECHANISM



- Adjust the seat base to the upper position (spring tensioned as much as possible).
- Remove:
 - height adjustment mechanism rivets (3),
 - the mechanism and the control.

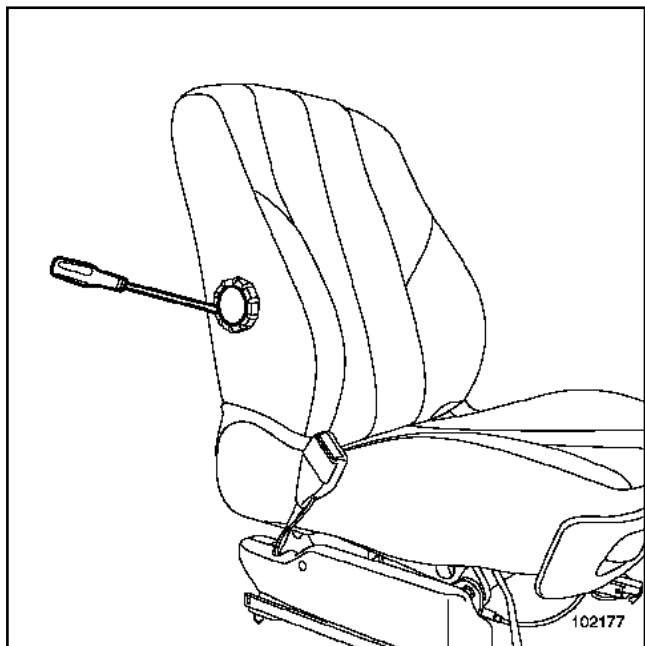


- Disconnect pretensioner connector (4)
- Remove pretensioner bolt (5).



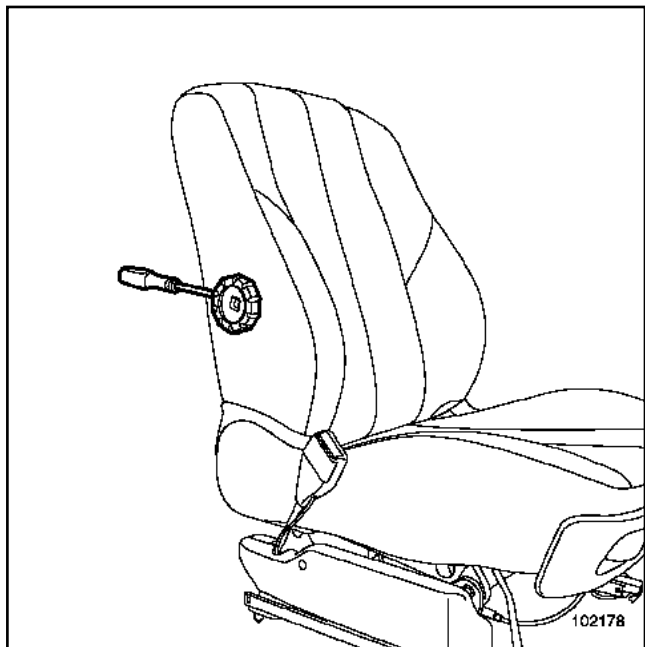
- remove headrest guide covers (6).

B84 or C84



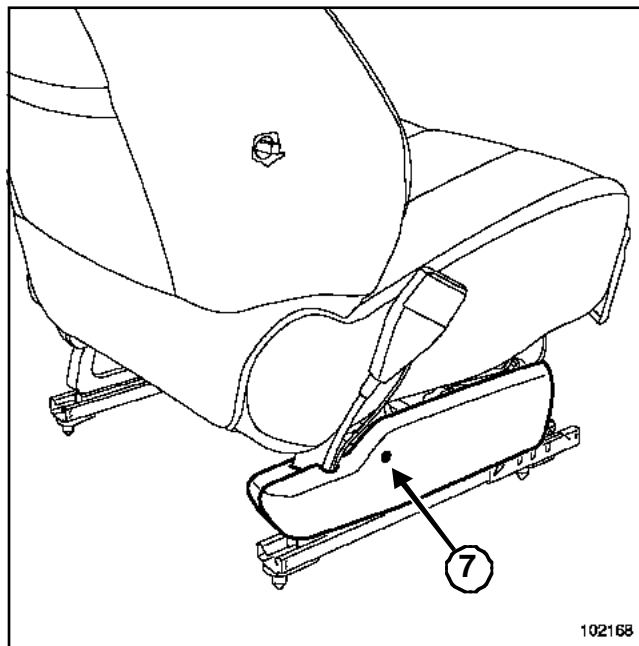
102177

- Remove the back adjustment tumblewheel mounting cover, using tool (Car. 1597).



102178

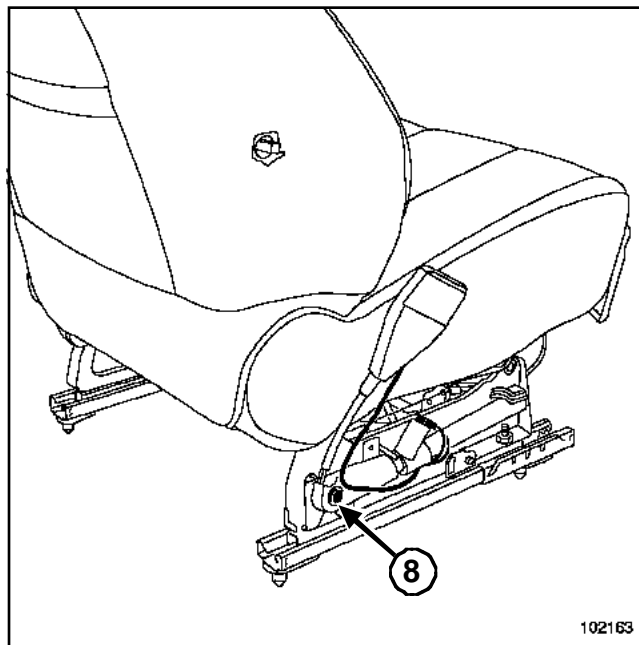
- Remove the lumbar region adjustment tumblewheel using a flat-blade screwdriver.



102168

102168

- Remove housing bolt (7).
- Remove the housing.

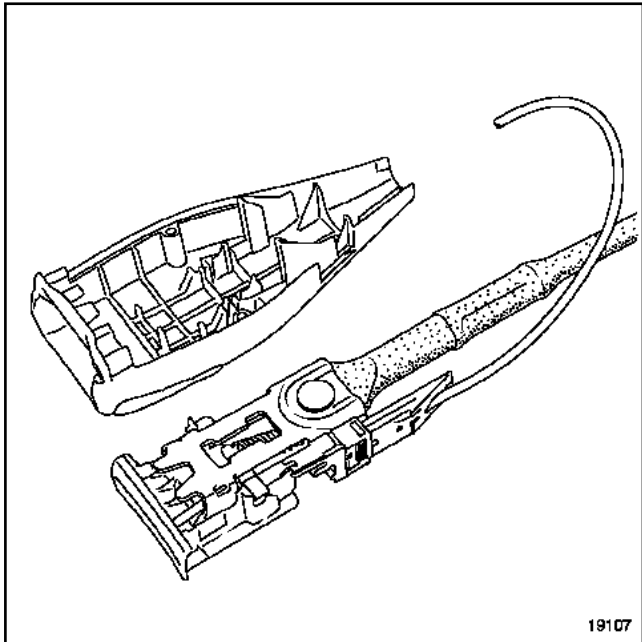


102163

102163

- Disconnect the pretensioner connector.
- Remove bolt (8).

B84 or C84



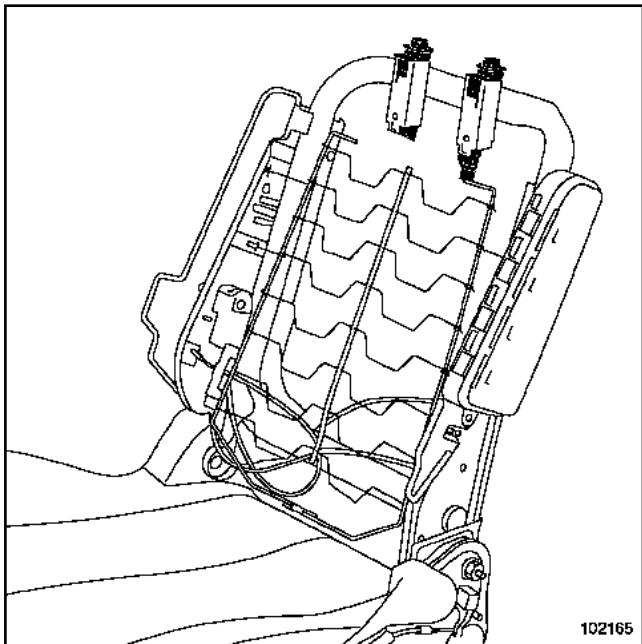
19107



Note:

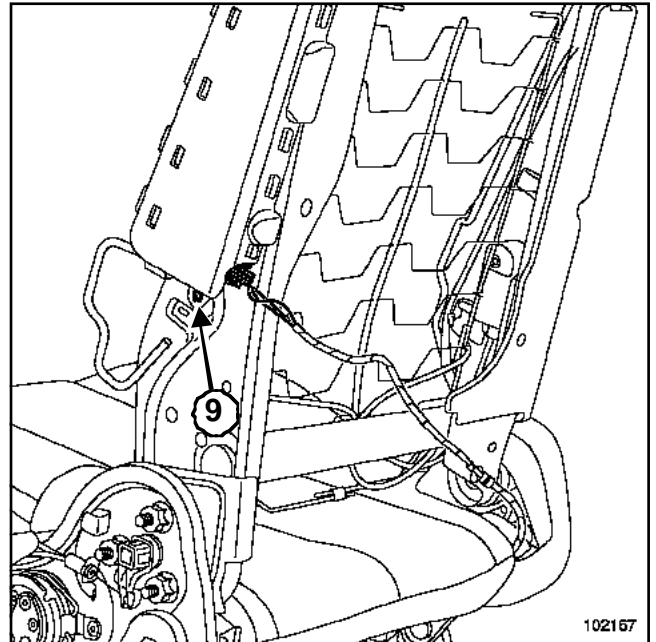
To unclip the connector, remove the mounting bolts from the two buckle half-shells.

- Remove the seatback trim (see 77A, **Front seat trims, Seatback trim**).



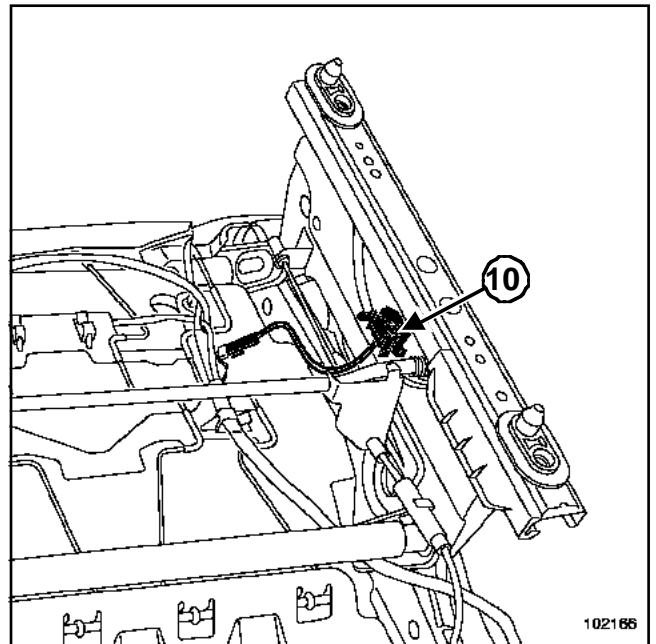
102165

- Remove the headrest guides.



102167

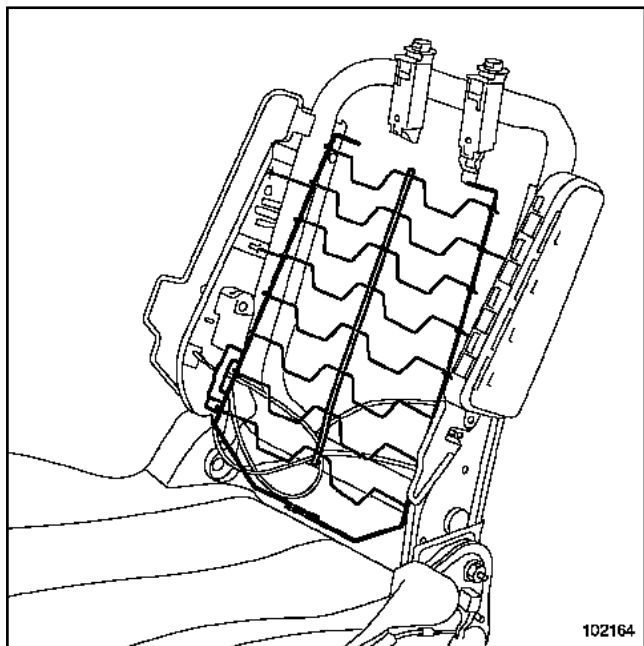
- Disconnect:
 - the connector,
 - the airbag terminal.
- Drill out the rivet (9).
- Remove the airbag.



102166

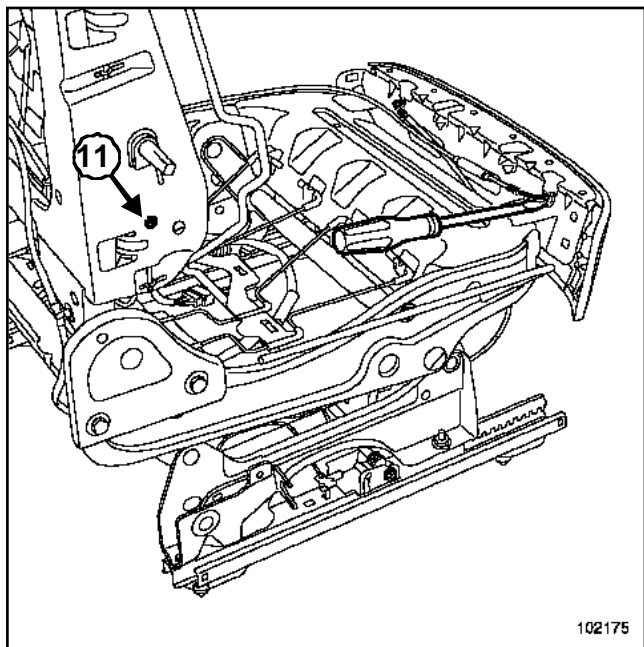
- Disconnect the terminal.
- Unclip the switch (10).
- Remove the seat base trim (see 77A, **Front seat trims, Seat base trim**).

B84 or C84



102164

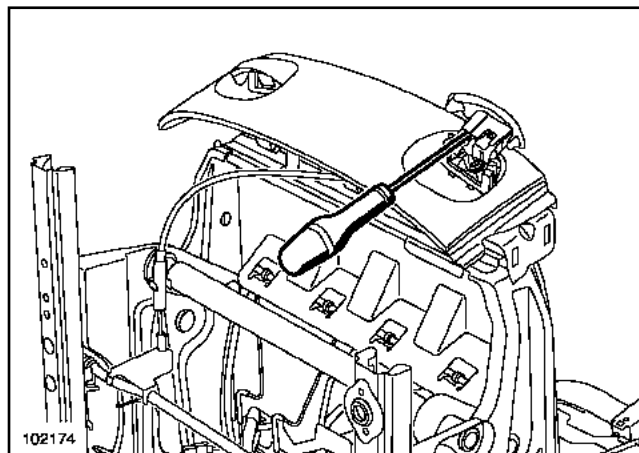
- Remove the back adjustment mechanism cover.



102175

102175

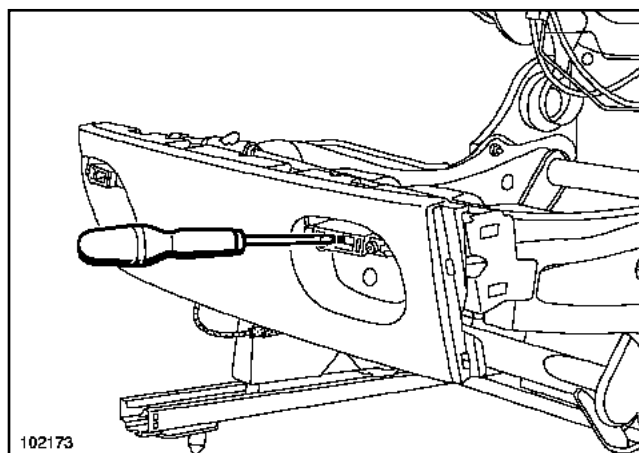
- Remove the control cable sheath stops.
- Drill out lumbar region adjustment mechanism rivet (11).
- Remove the mechanism.



102174

102174

- Remove the runner adjustment handle mounting bolt.
- Remove the handle (identical operation for the seat-back adjustment handle).

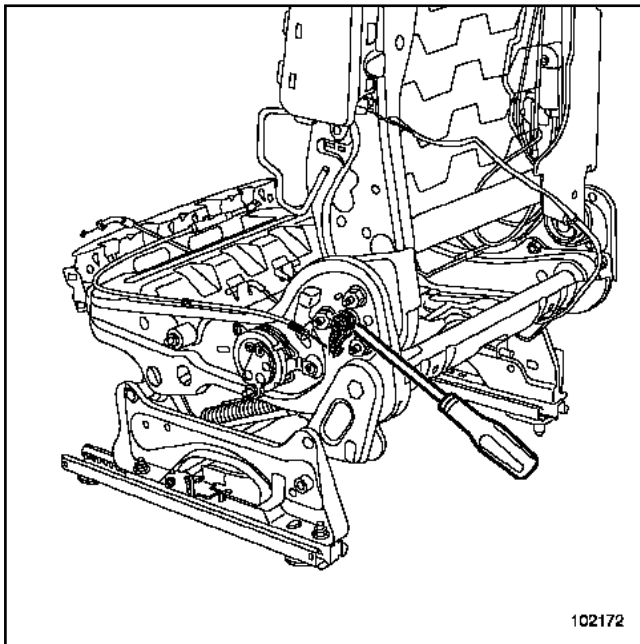


102173

102173

- Remove the unlocking control cables.
- Remove the front housing.

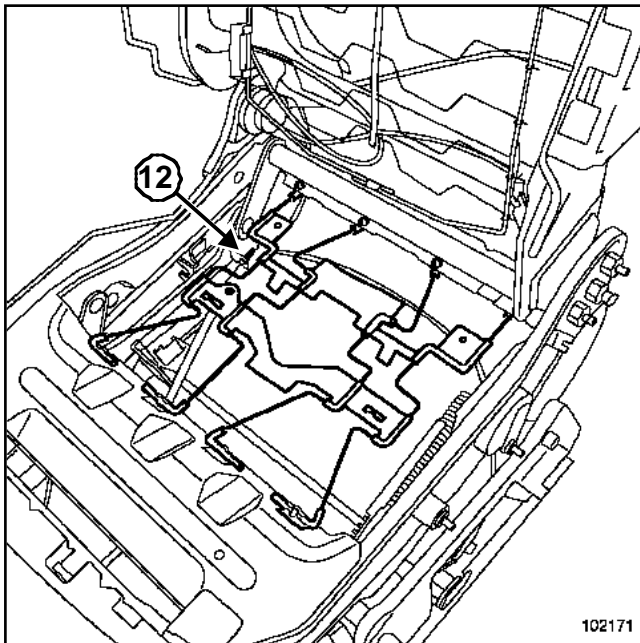
B84 or C84



102172

102172

- Unclip the seatback unlocking linkage.
- Remove the cable.



102171

102171

- Unclip:
 - the cover,
 - the cable stops (12).

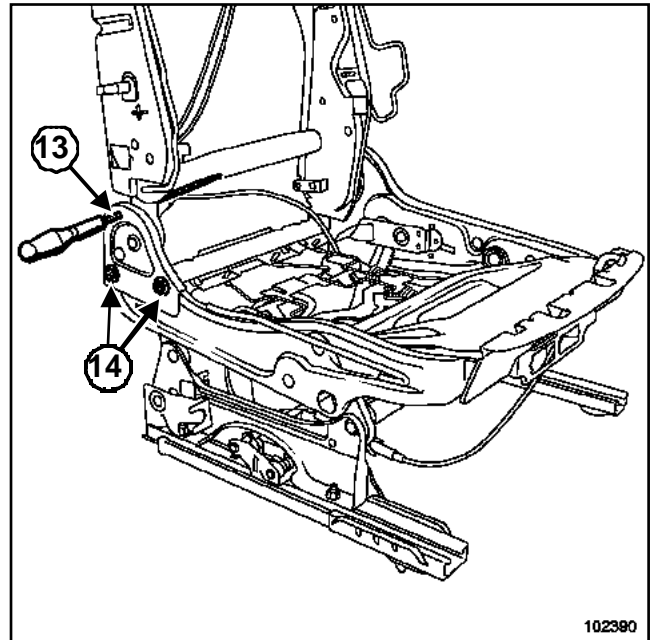
II - REMOVING THE « SEATBACK/SEAT BASE » FRAMES



IMPORTANT

Insert a metal pin across the frame through opening (13) and strap it in place if necessary.

Check that the pin is secure before carrying out any work.



102390

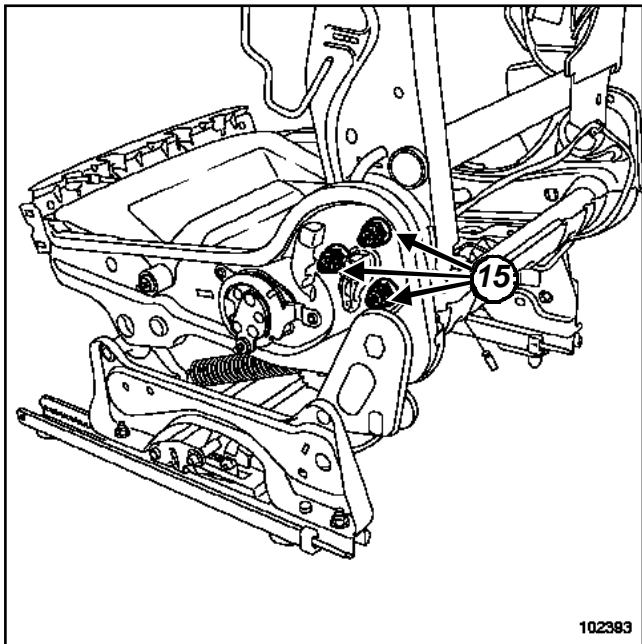
102390

- Remove bolts (14).

WARNING

Keep the rod in place during removal.

B84 or C84



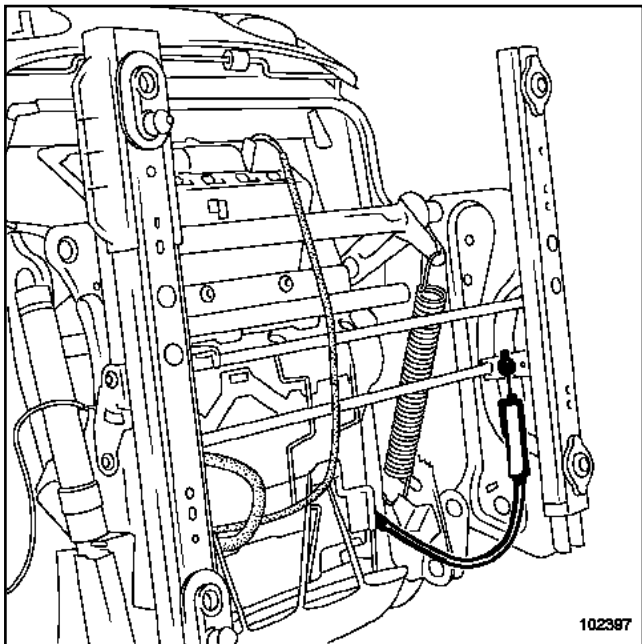
102393

Remove:

- the bolts (15),
- the backrest frame.

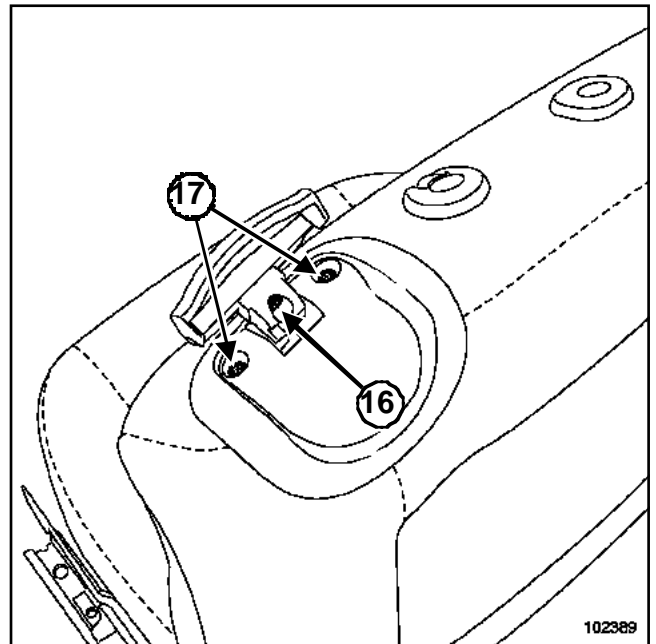
III - SPECIAL NOTES ON THE 3-DOOR VERSION

- Removal is identical to the 5-door version, except for the following special notes:



102397

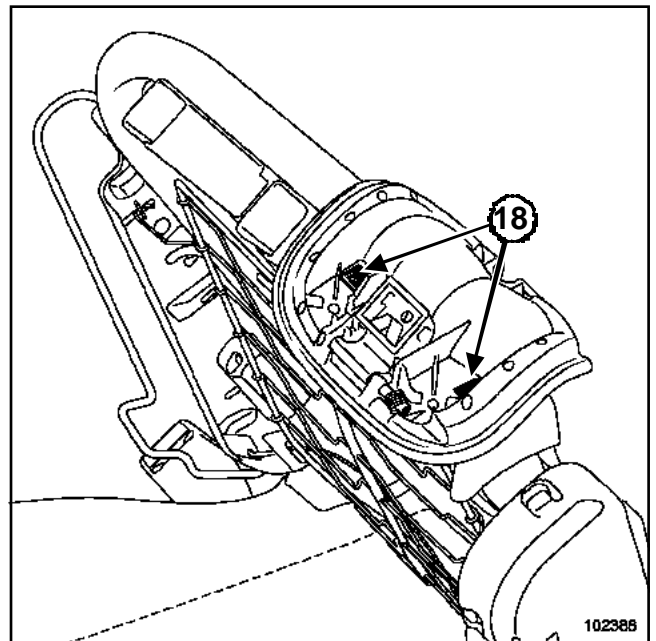
- Unclip the cable stop to free the seatback unlocking control.



102389

Remove:

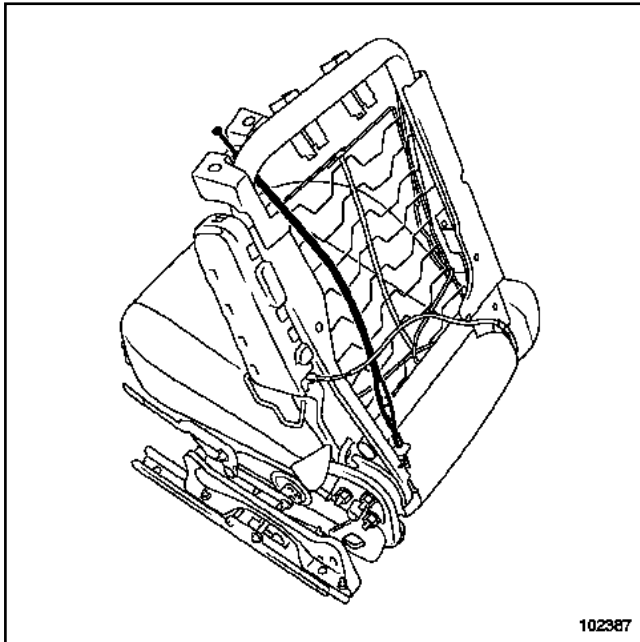
- handle bolt (16),
- handle trim bolts (17).



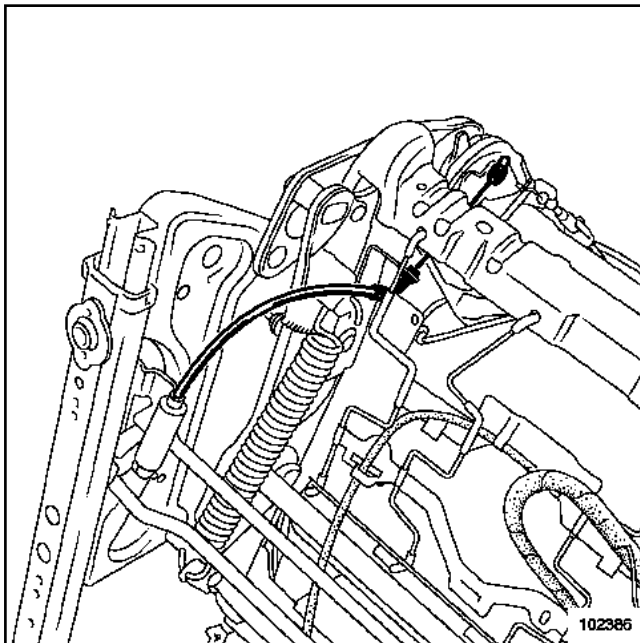
102388

- Release the seatback unlocking mechanism cable stop.
- Unclip mechanism support (18) using a screwdriver.

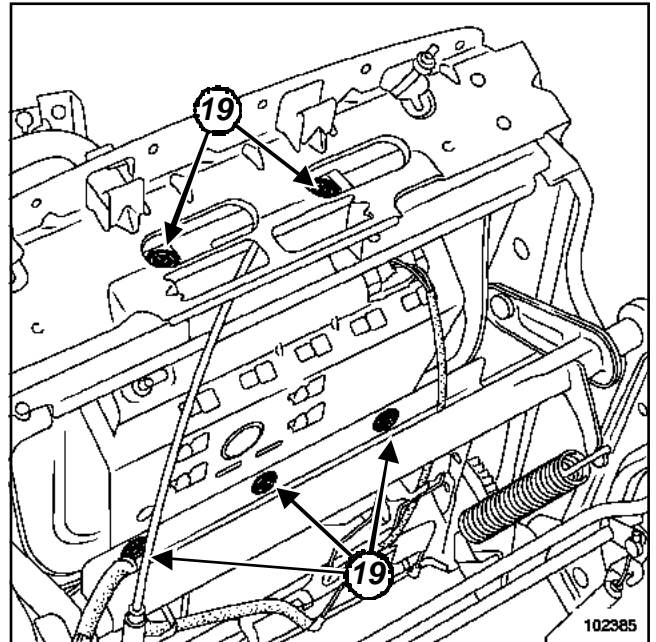
B84 or C84



- Unclip the cable stops.
- Remove the cable.



- Unclip the cable stops.
- Remove the runner adjustment mechanism cable.



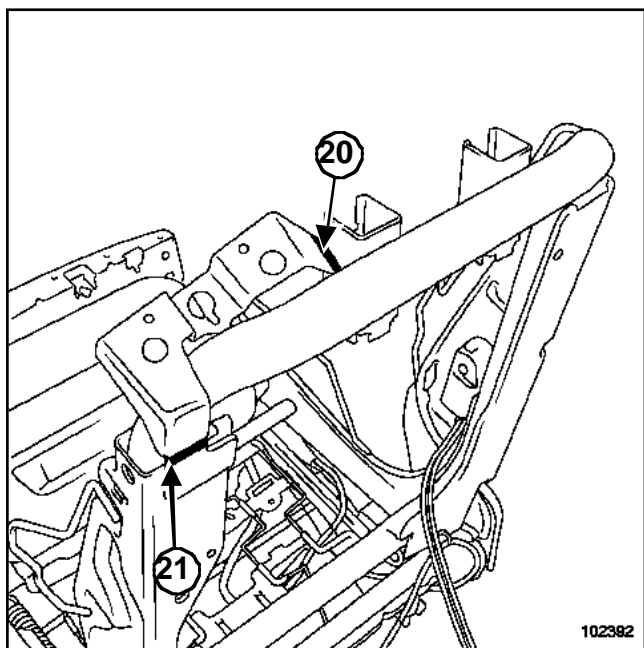
- Remove anti-submarining airbag mounting bolts (19).

REFITTING

Note:

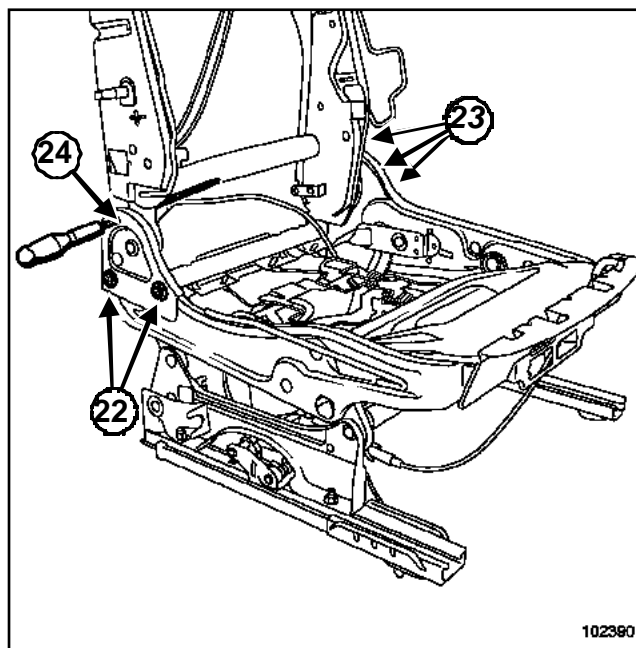
In the event of a seatback frame replacement, the Parts Department will only supply seatback frames for the 3-door version; the following modifications will therefore be necessary if the frame is to be fitted to a 5-door version.

B84 or C84



102392

- Cut the seatback unlocking mechanism plate in accordance with markings (20) and (21).



102390

102390

□

WARNING

Do not remove the plastic clip at (24).

Check that it is secure before carrying out any work; if in any doubt, insert a pin in both sides of frames (24).

- Pre-tightening and tightening the frame mountings:
 - pre-tightening of nuts (23) to **20 Nm**,
 - pre-tightening of bolts (22),
 - Tighten to torque:
 - the **seatback mounting nuts (66 Nm)**
 - the **seatback mounting bolts (25 Nm)**
- Cut the plastic clip at (24).

B84 or C84

SPECIAL NOT ON REFITTING THE ANTI-SUBMARINING AIRBAG

- Tighten to torque the **anti-submarining airbag mounting bolts (8 Nm)**.

Bolt tightening order:

- the left-hand front bolt,
- the front right-hand bolt,
- the rear centre bolt,
- the rear right-hand and left-hand bolts.

- Proceed in the reverse order to removal.

-

WARNING

Before refitting the seatback cover, check that the Velcro strips are properly fastened to the seatback foam pad.

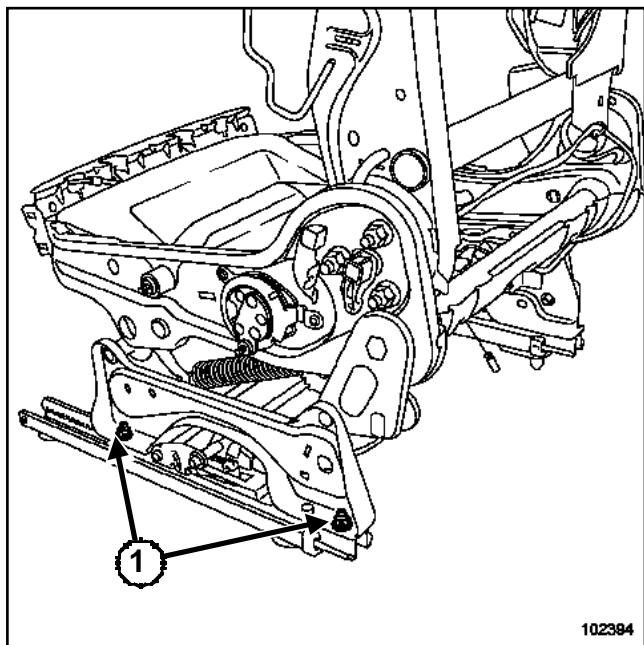
B84 or C84

Tightening torques

runner mounting nuts	21 Nm
----------------------	-------

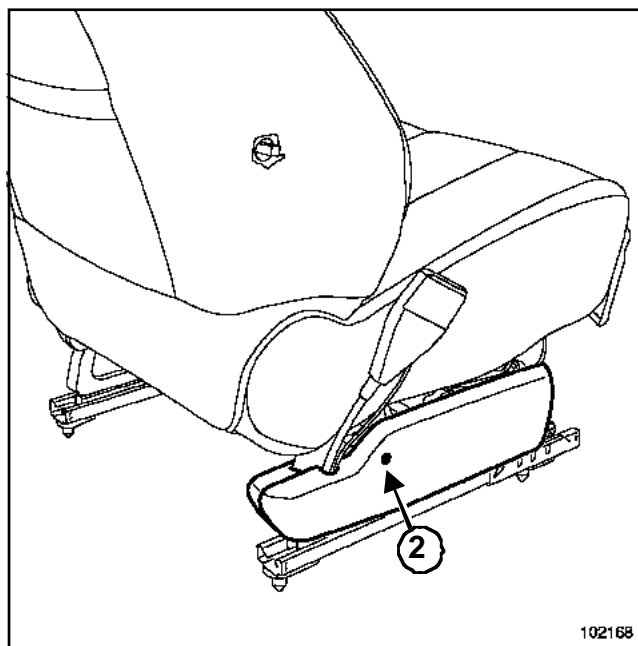
REMOVAL

- Remove the seat (see 75A, Front seat frames and runners, Complete front seat).



102394

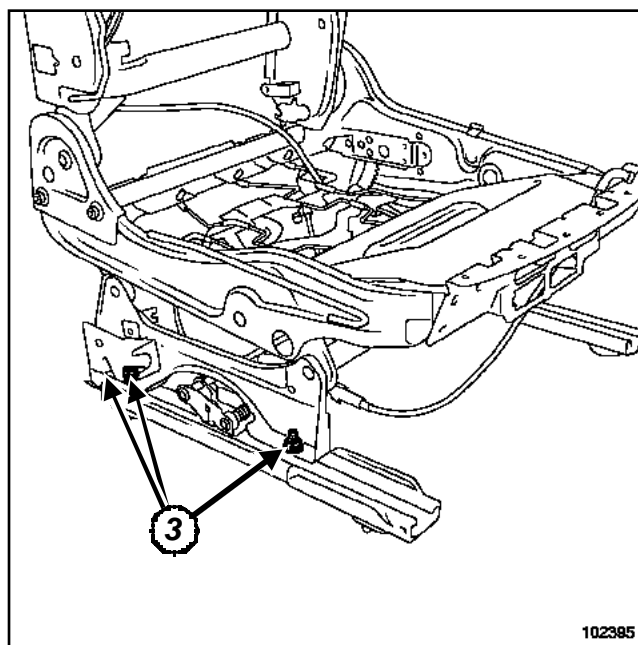
- Remove nuts (1) (it is not necessary to remove the trims from the seat).



102168

102168

- Remove bolt (2).
- Remove the housing.



102395

102395

- Remove nuts (3) (it is not necessary to remove the trims from the seat).

REFITTING

- Tighten to torque the runner mounting nuts (21 Nm).
- Proceed in the reverse order to removal.

REAR SEAT FRAMES AND RUNNERS

Rear bench seatback: Removal - Refitting

76A

B84 or C84

Tightening torques

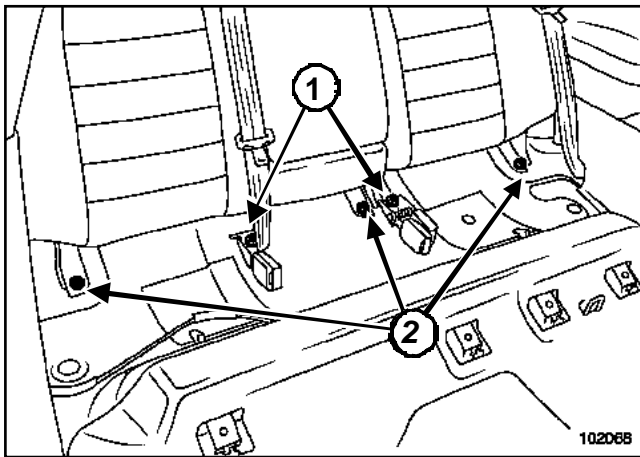
seatback front bolts	44 Nm
seatback rear bolts	21 Nm
seat belt mounting bolts	21 Nm

REMOVAL

- ❑ Remove the seat bases for easier access to the seatback mountings.

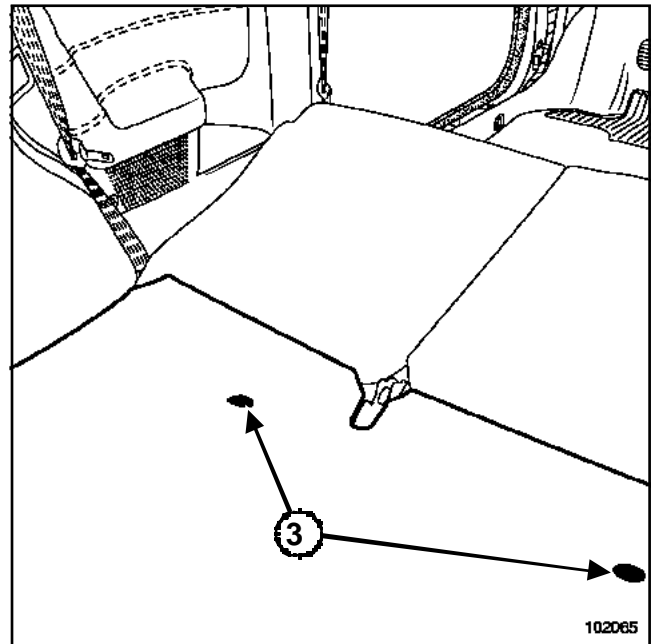
Note:

The 1/3 and 2/3 seatbacks can be removed separately.



102068

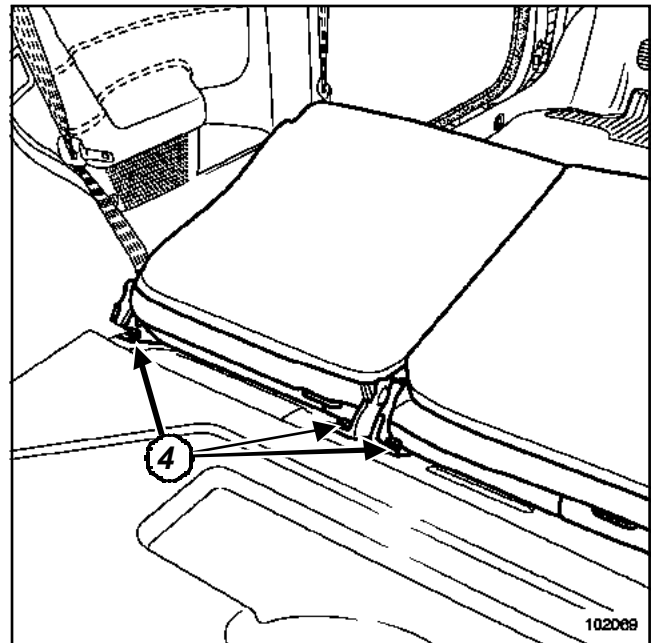
- ❑ Remove:
 - seat belt bolts (1),
 - seatback front bolts (2).
- ❑ Tilt the seatback.



102065

102065

- ❑ Release clips (3) from the luggage compartment carpet using a pair of unclipping pliers.



102069

102069

- ❑ Undo rear mountings (4) without removing them.
- ❑ Remove the seatbacks.

REFITTING

- ❑ Position and fit the seatbacks using the mountings (without tightening them).
- ❑ Refit the front section mountings.

REAR SEAT FRAMES AND RUNNERS

Rear bench seatback: Removal - Refitting


76A

B84 or C84

- Tighten to torque:
 - the **seatback front bolts (44 Nm)**,
 - the **seatback rear bolts (21 Nm)**,
 - the **seat belt mounting bolts (21 Nm)**.

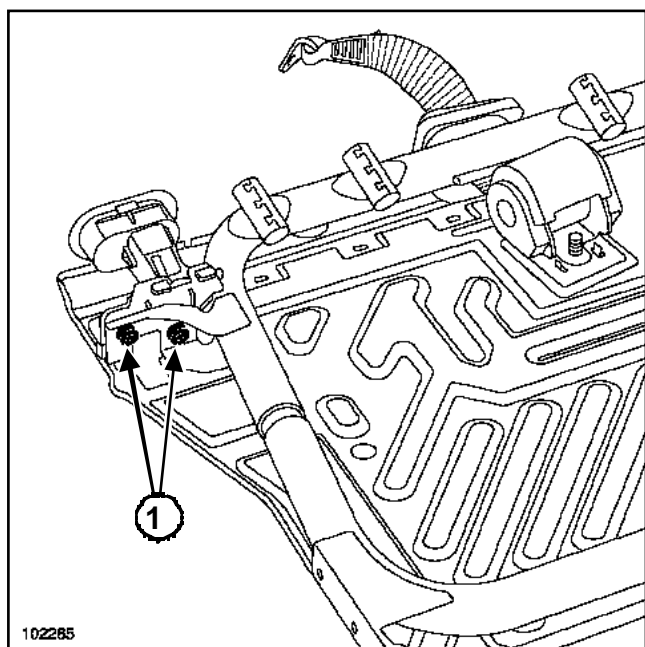
Rear bench seatback locking: Removal - Refitting

B84 or C84

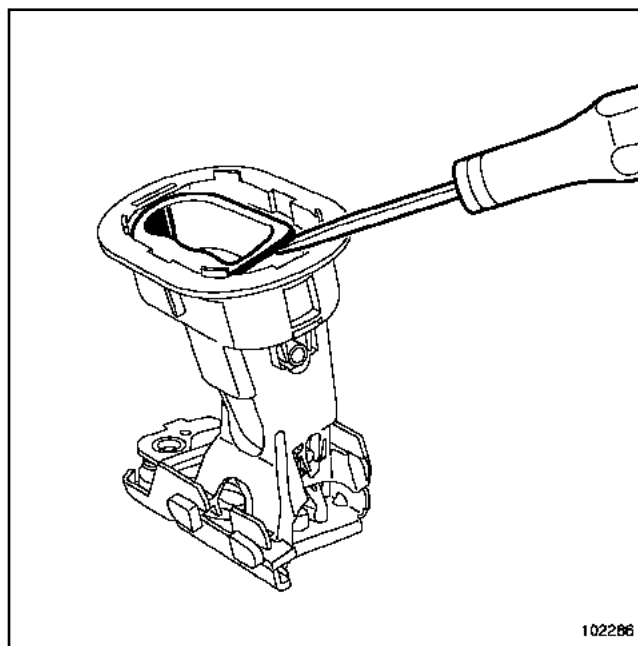
Tightening torques 		
seatback locking mechanism bolts		18 Nm
striker panel mounting bolts		44 Nm

REMOVAL

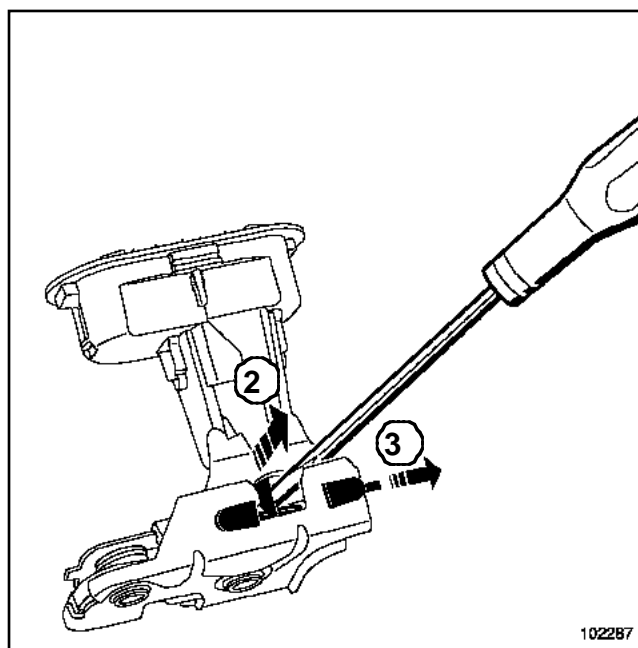
- Remove the seatback trim (see 78A, Rear seat trims, Seatback trim).



- Remove bolts (1).
- Remove the seatback locking mechanism.

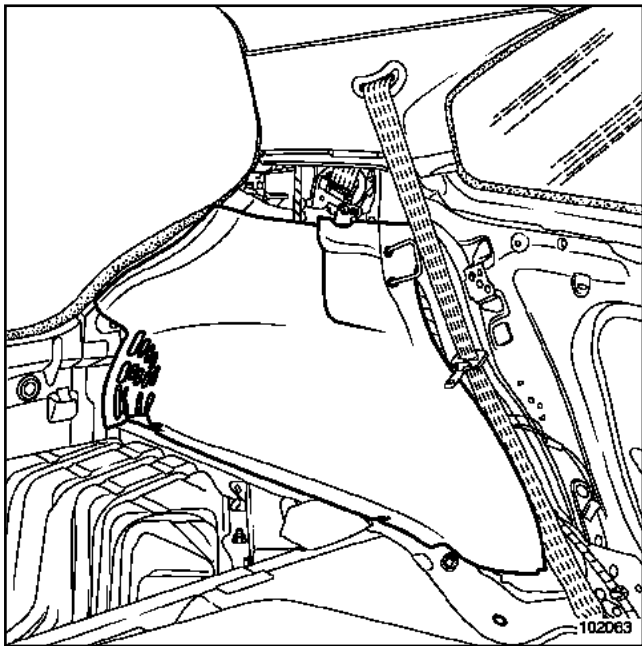


- Unclip the seatback unlocking control.



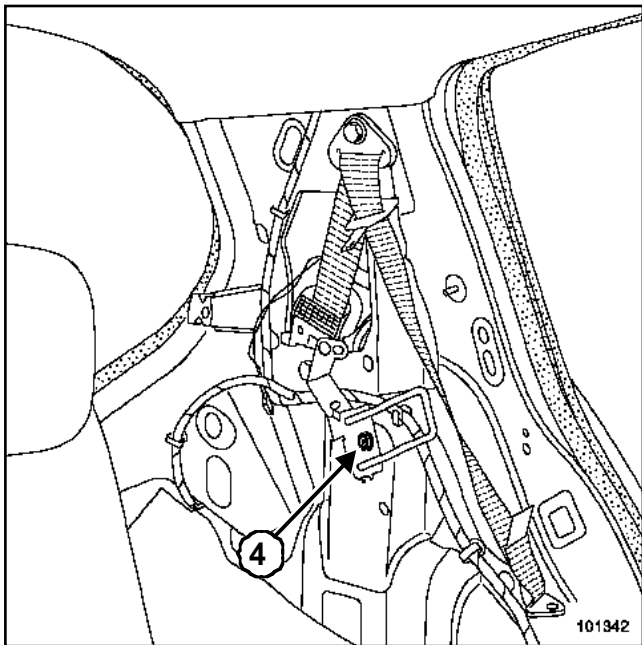
- Press on the screwdriver (2).
- Remove locking control (3).

B84 or C84



102063

- Remove the wheel arch trim (see 71A, **Body internal trim, Wheel arch trim**).



101342

- Remove seatback striker panel mounting bolt (4).

REFITTING

- Proceed in the reverse order to removal.
- Tighten to torque:
 - the **seatback locking mechanism mounting bolts (18 Nm)**,
 - the **striker panel mounting bolts (44 Nm)**.

REAR SEAT FRAMES AND RUNNERS

Rear bench seat base: Removal - Refitting

76A

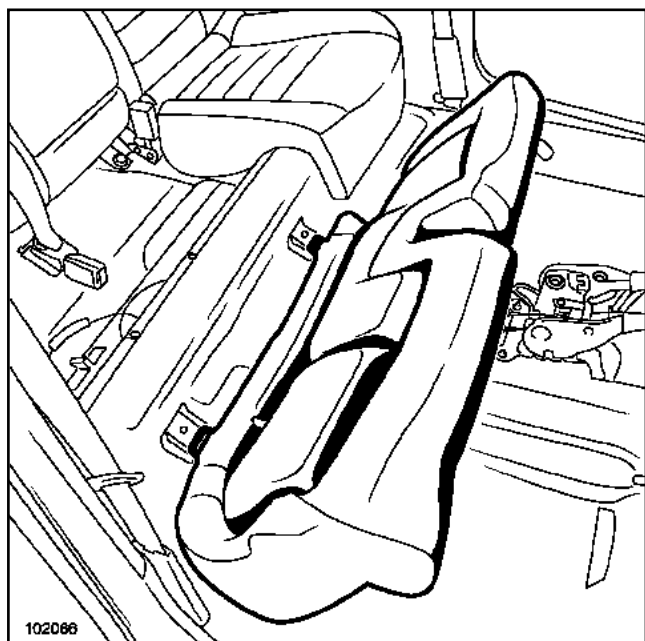
B84 or C84

REMOVAL

□

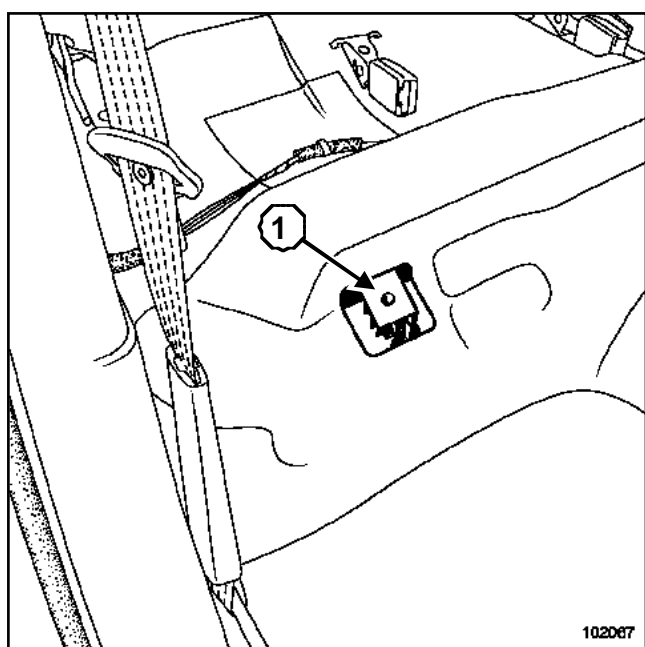
Note:

Removal is the same as for a 1/3 and 2/3 seat base.



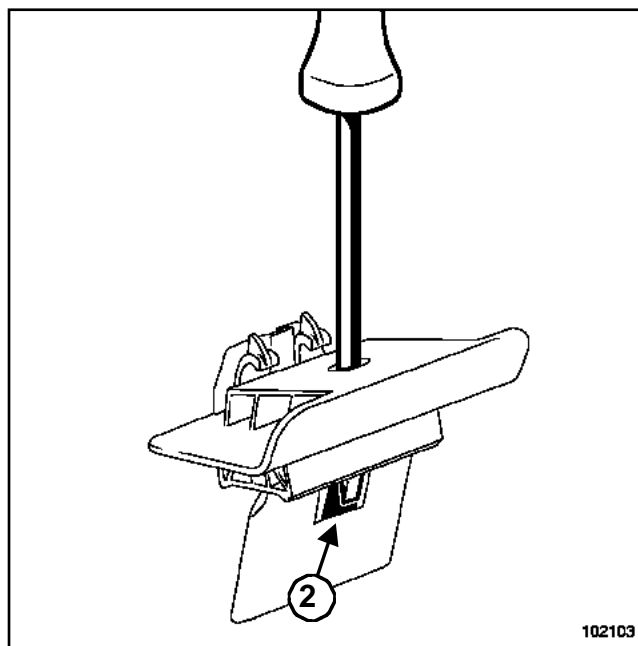
102066

- Tip up the seat base.
- Unclip the seat base.



102067

- Insert a flat-blade screwdriver into opening (1).



102103

102103

- Press on the clip (2).
- Remove the clip.

REFITTING

- Make sure the clips are in good condition before re-fitting the seat base.
- Proceed in the reverse order to removal.

REAR SEAT FRAMES AND RUNNERS

Rear bench seatback frame 1/3 and 2/3: Removal - Refitting

76A

B84 or C84

Special tooling required

Car. 1558 Clips for zip fasteners

Tightening torques

inertia reel mounting bolts	25 Nm
-----------------------------	-------

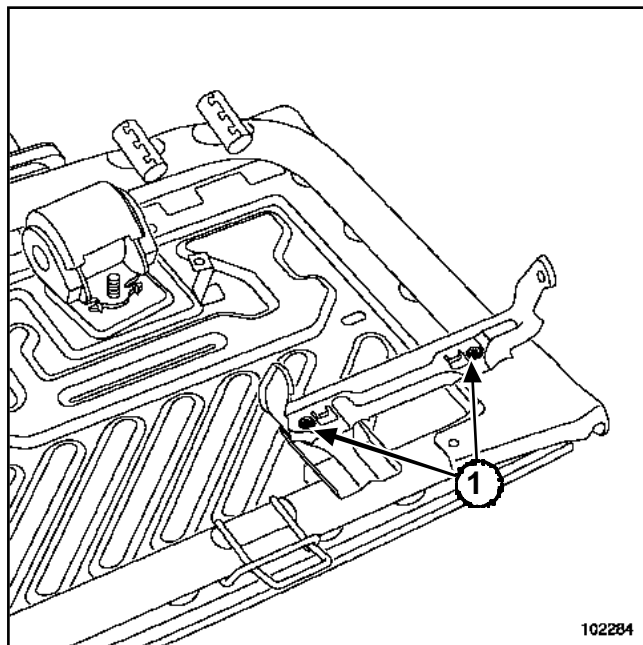
seatback locking mechanism mounting bolts	18 Nm
---	-------

seatback frame mounting bolts	35 Nm
-------------------------------	-------

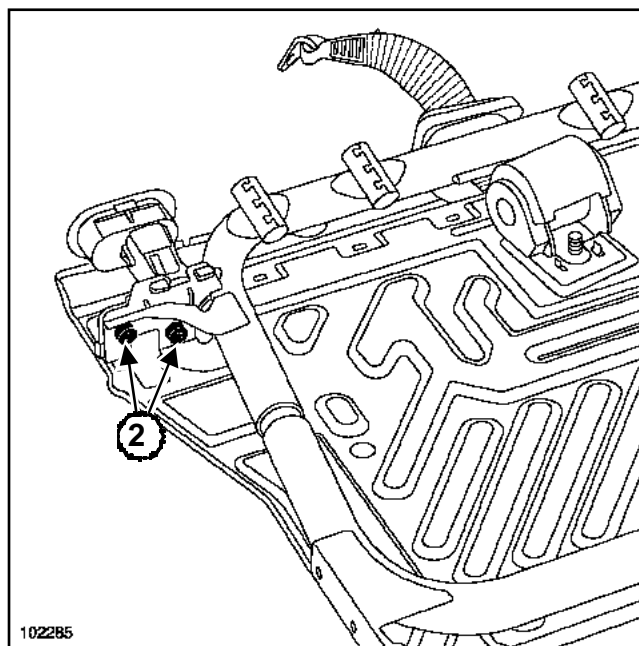
armrest mounting mounting bolts	18 Nm
---------------------------------	-------

REMOVAL

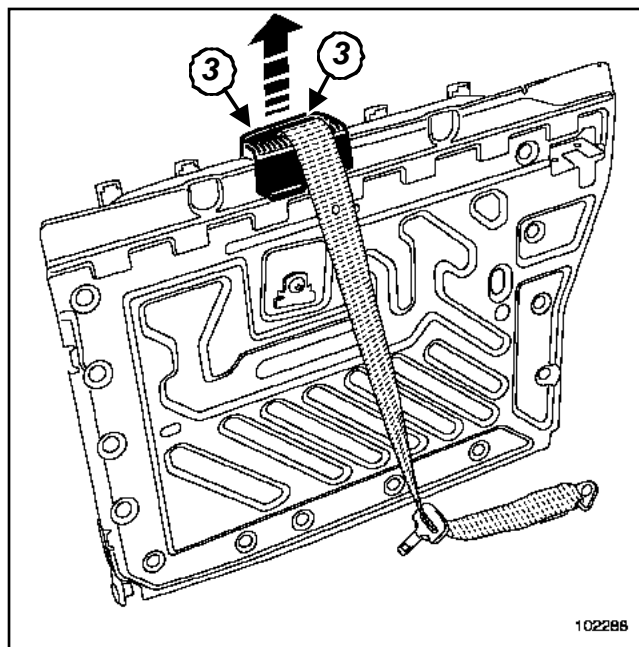
- Remove the seatback trim (see 78A, Trims and upholstery, Seatback trim).



- Remove armrest mounting bolts (1).

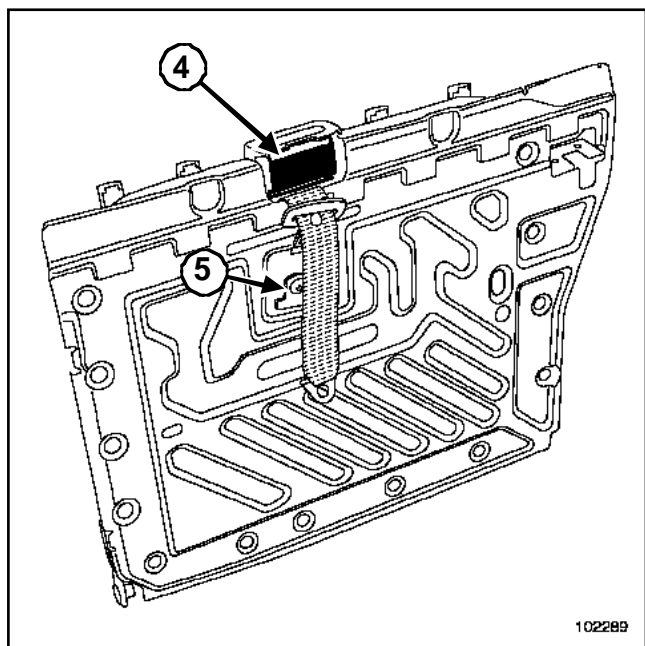


- Remove bolts (2) from the seatback locking mechanism.



- Remove bolts (3).
- Remove the strap cover.

B84 or C84



102289

- Remove:
 - the trim (4),
 - bolt (5).
- Remove the inertia reel.

REFITTING

- Proceed in the reverse order to removal.
- Use tool (**Car. 1558**) for the zip fastener on the cover.
- Tighten to torque:
 - inertia reel mounting bolts (25 Nm),
 - seatback locking mechanism mounting bolts (18 Nm),
 - seatback frame mounting bolts (35 Nm),
 - armrest mounting mounting bolts (18 Nm).

FRONT SEAT TRIM

Front seatback trim: Removal - Refitting

77A

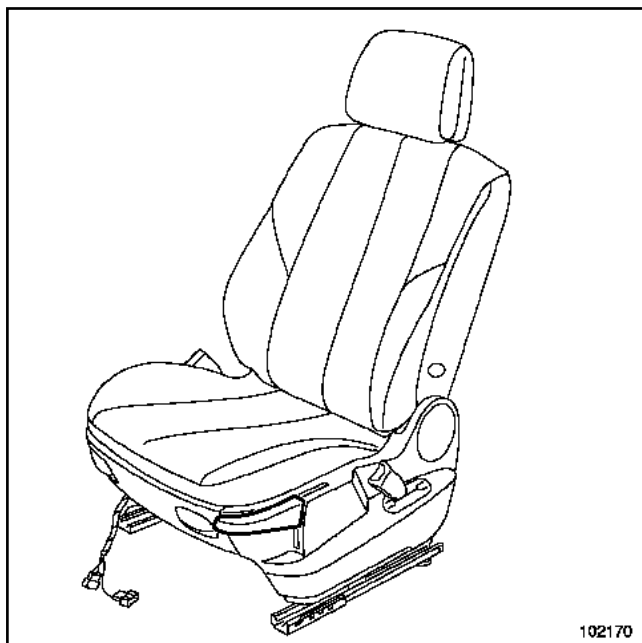
B84 or C84

Special tooling required

Car. 1597

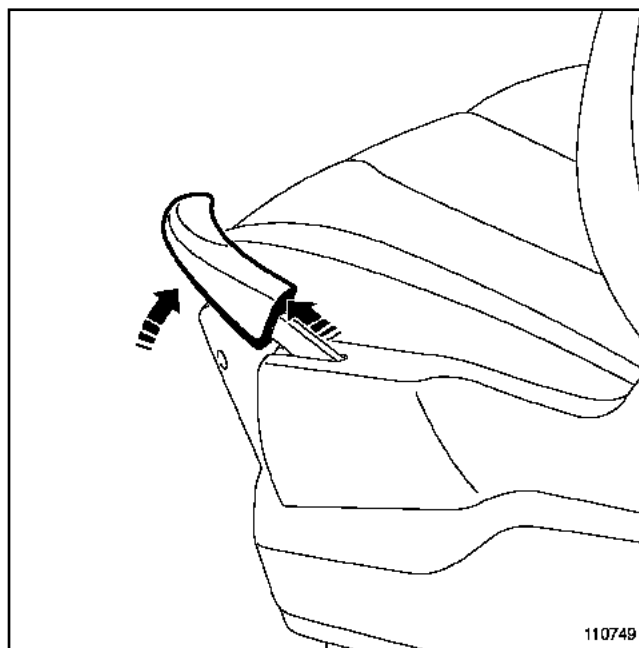
Lever for removing rear turning handle clips

REMOVAL



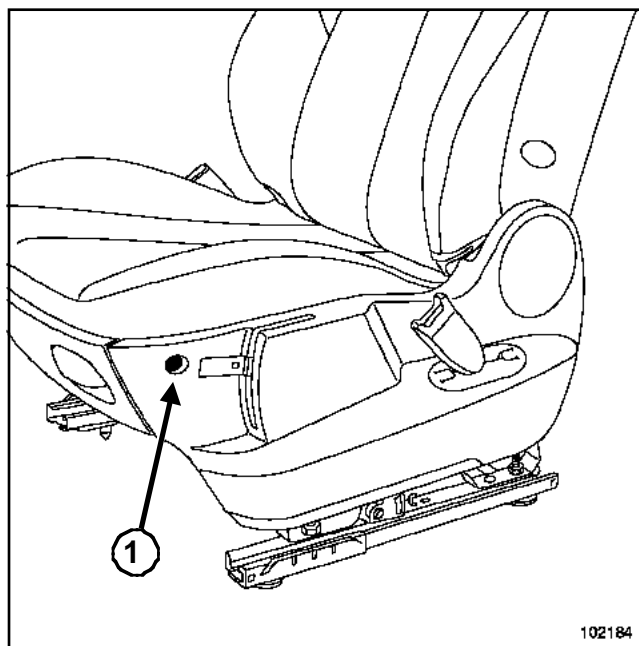
❑ Remove:

- the seat in accordance with the safety instructions (see **75A, Front seat frames and runners, Complete seat**),
- the headrest.



Note:

Protect the handle of the raising control (using masking tape) and tap the rear section of the control whilst holding it in a slightly raised position.



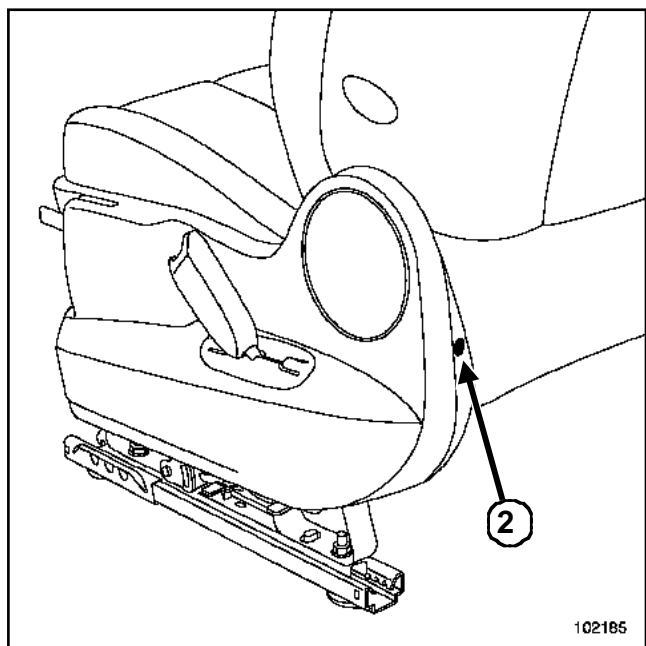
- ❑ Remove housing bolt (1).

FRONT SEAT TRIM

Front seatback trim: Removal - Refitting

77A

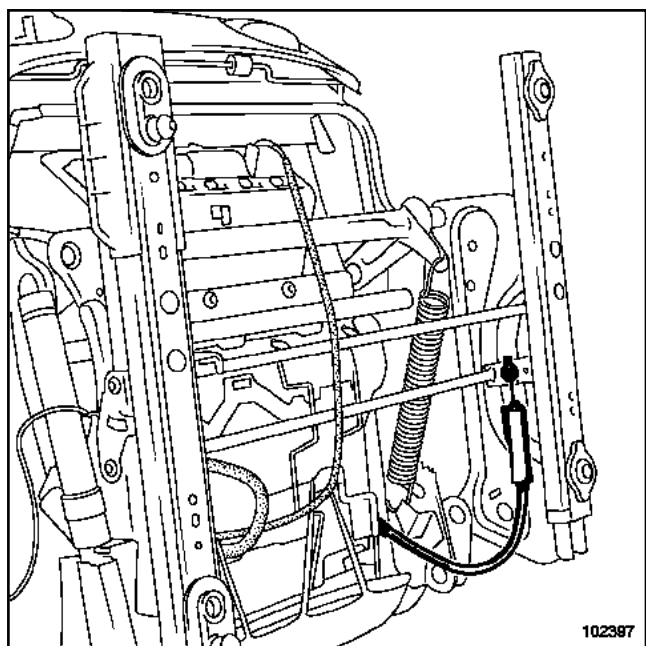
B84 or C84



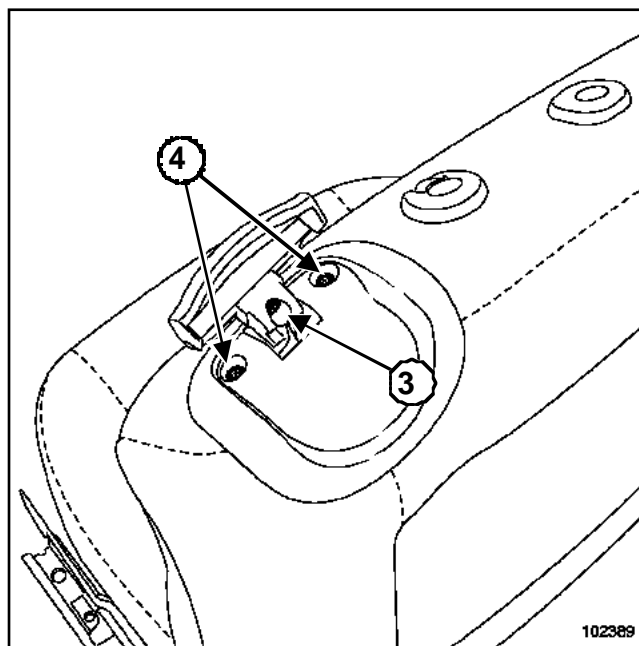
- ❑ Remove housing bolt (2).
- ❑ Remove the housing .

SPECIAL NOTES ON THE 3-DOOR VERSION

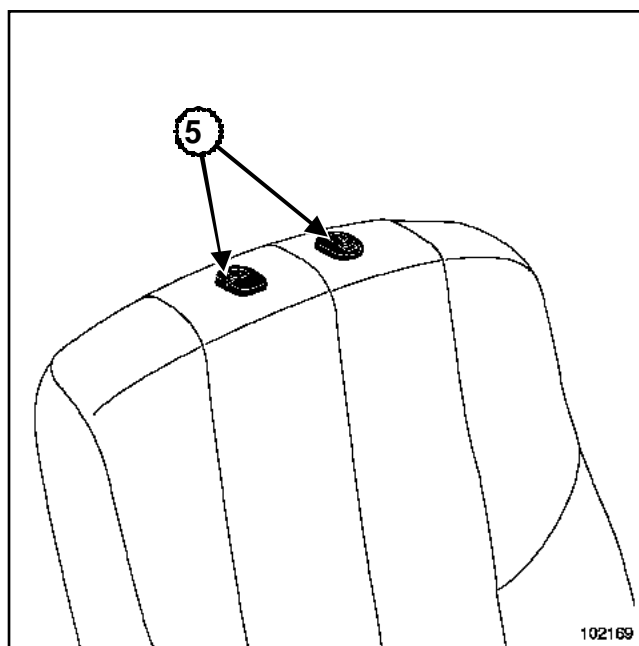
C84



- ❑ Unclip the cable stop to free the seatback unlocking control.



- ❑ Remove:
 - handle bolt (3),
 - handle trim bolts (4).



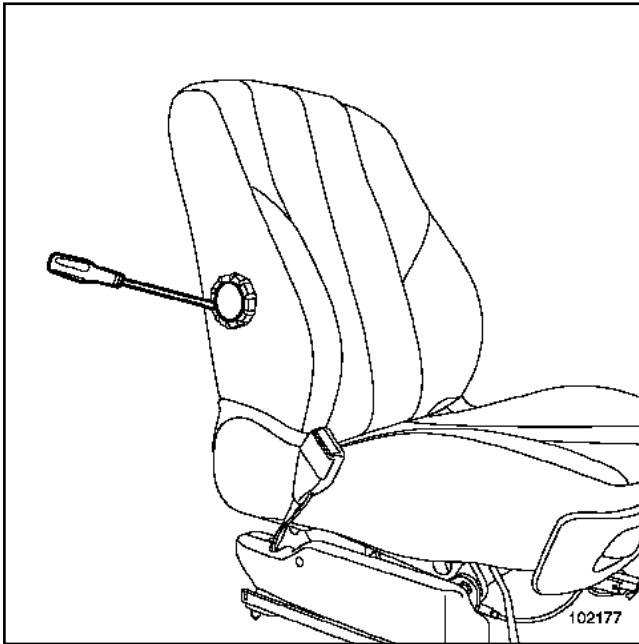
- ❑ Remove headrest guide covers (5).

FRONT SEAT TRIM

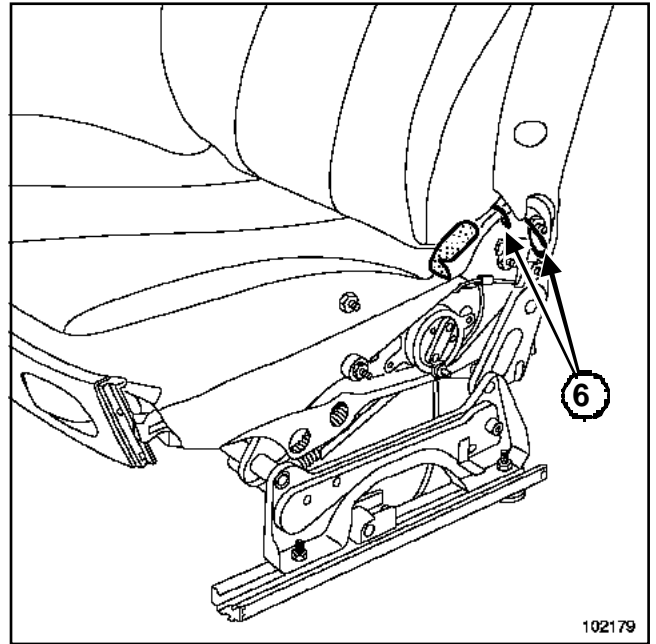
Front seatback trim: Removal - Refitting

77A

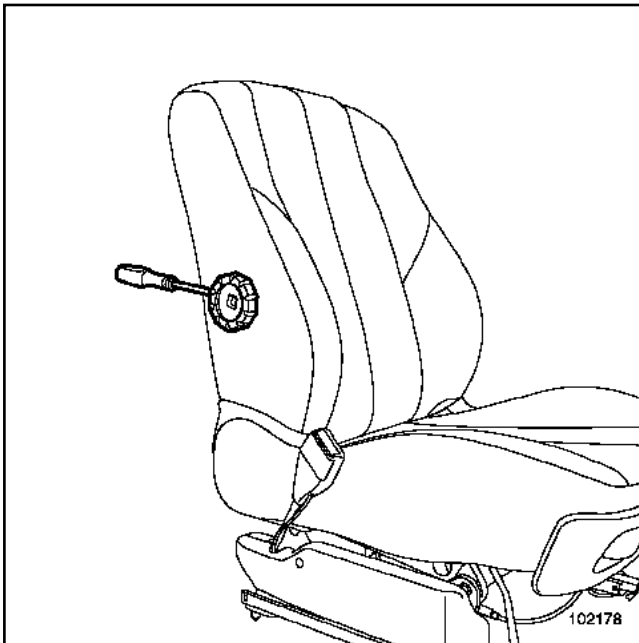
B84 or C84



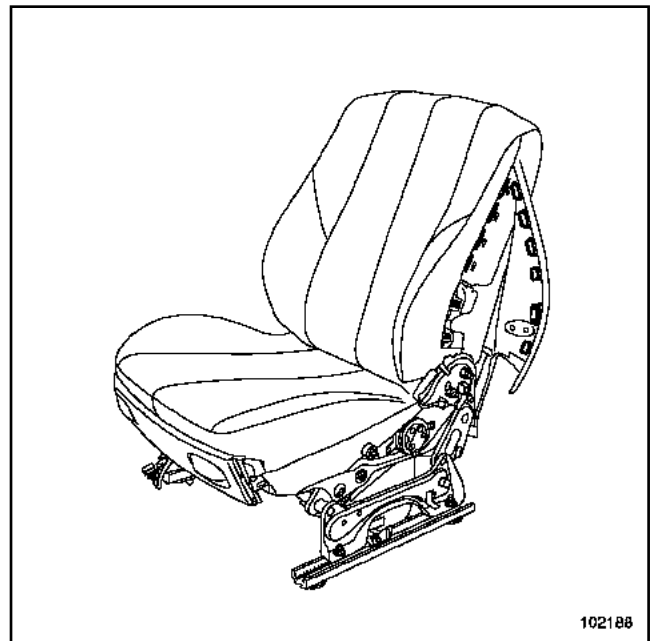
- ❑ Remove the lumbar region adjustment tumblewheel mounting cover using tool (Car. 1597).



- ❑ Remove:
 - cover rubber bands (6),
 - the cover flap.



- ❑ Remove the lumbar region adjustment tumblewheel using a screwdriver.



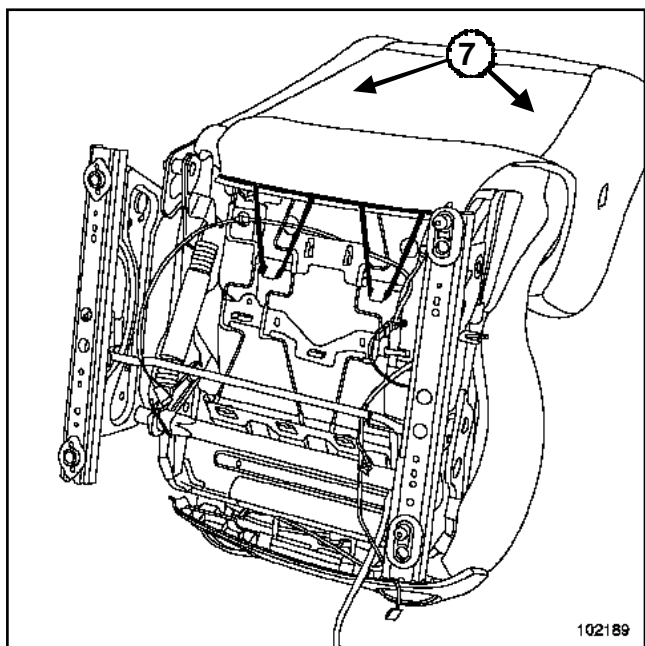
- ❑ Unclip the cover clips from the airbag.

FRONT SEAT TRIM

Front seatback trim: Removal - Refitting

77A

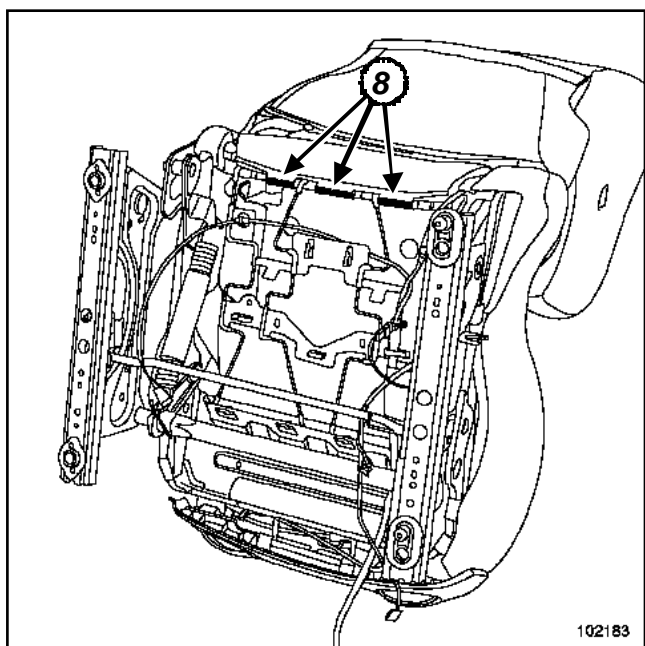
B84 or C84



102189

102189

- Remove the seatback cover lower retaining rubber bands.
- Unclip cover mounting clips (7) from the dorsal region.



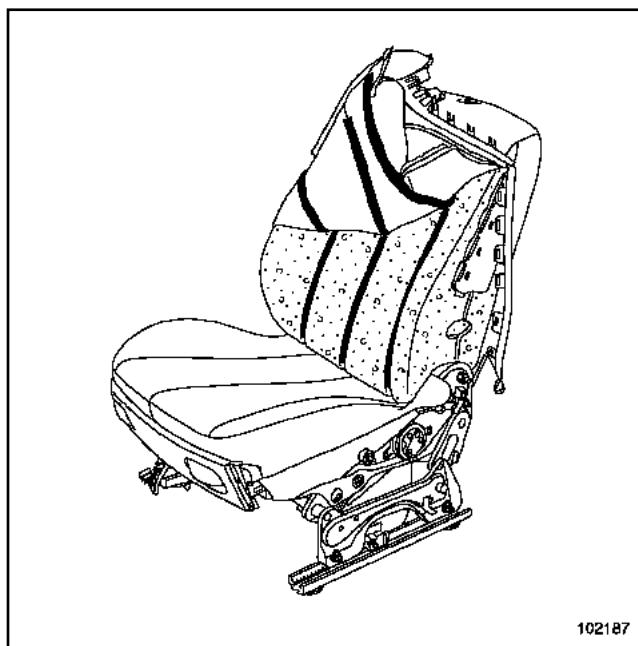
102183

102183

- Remove cover retaining strips (8).

WARNING

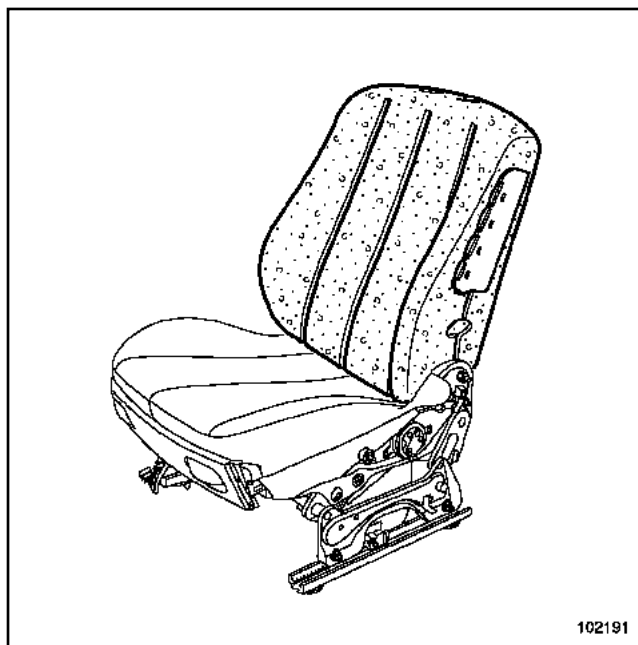
Carefully release the cover, holding the Velcro strips on the foam pad, in order not to damage the seatback foam.



102187

102187

- Carefully remove the seatback cover at the headrests.



102191

102191

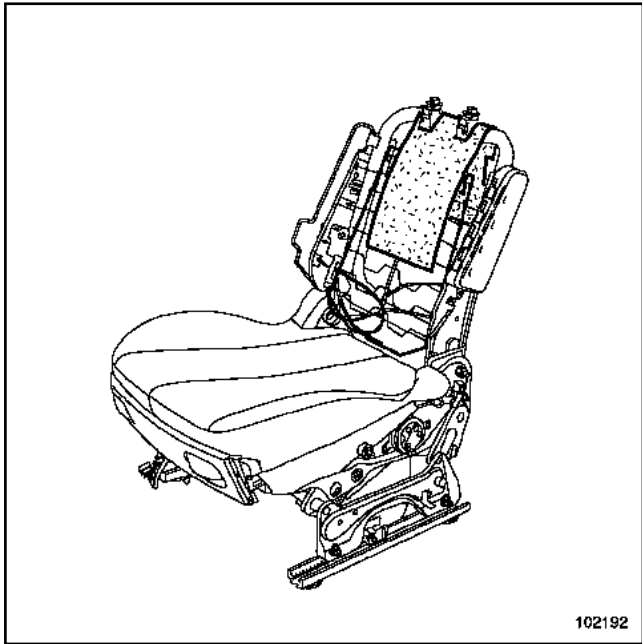
- Remove the foam pad, taking care to avoid damaging the headrest guides.

FRONT SEAT TRIM

Front seatback trim: Removal - Refitting

77A

B84 or C84



102192

- Remove the seatback frame felt.

REFITTING

- Proceed in the reverse order to removal.

WARNING

Before refitting the seatback cover, check that the Velcro strips are properly fastened to the seatback foam pad.

FRONT SEAT TRIM

Front seat base trim: Removal - Refitting

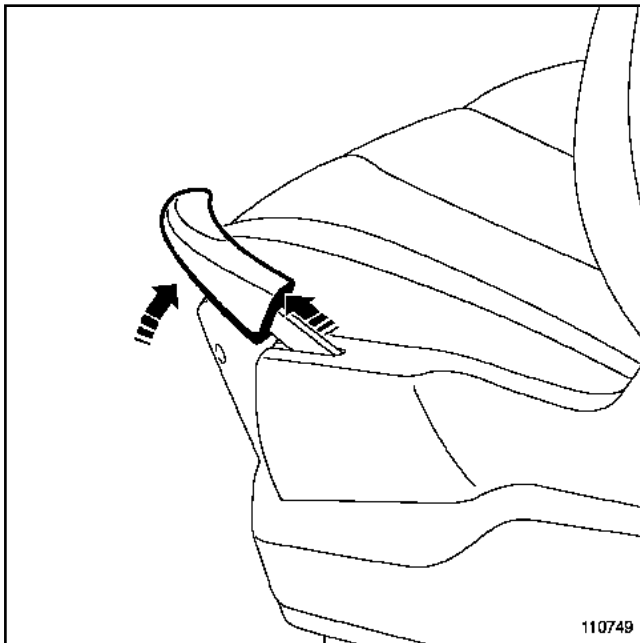
77A

B84 or C84

REMOVAL



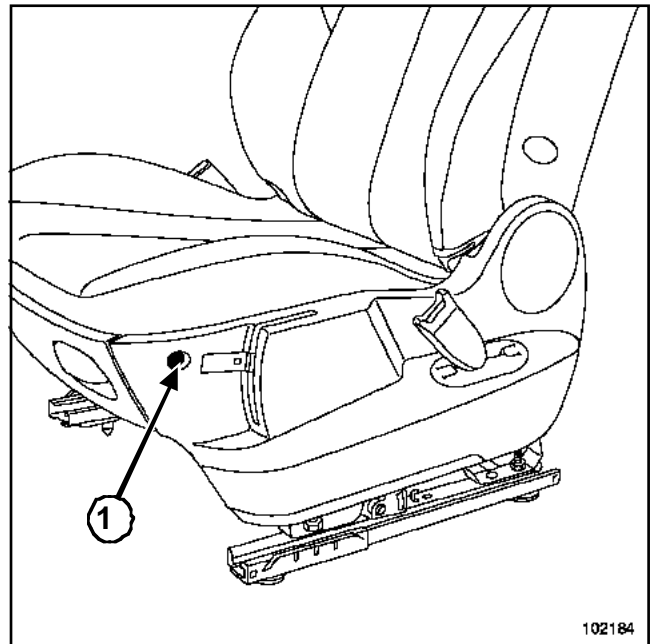
- Remove the seat in accordance with the safety instructions (see 75A, **Front seat frames and runners, Complete seat**),



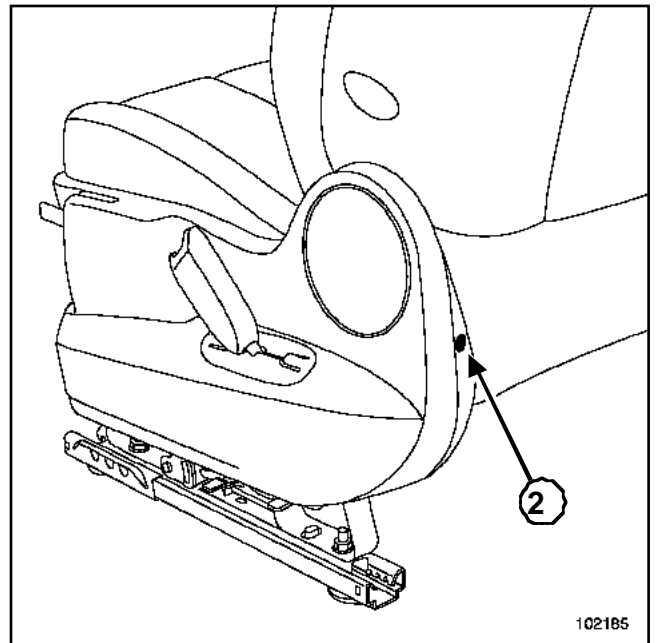
□

Note:

Protect the handle of the raising control (using masking tape) and tap the rear section of the control whilst holding it in a slightly raised position.



- Remove housing bolt (1).



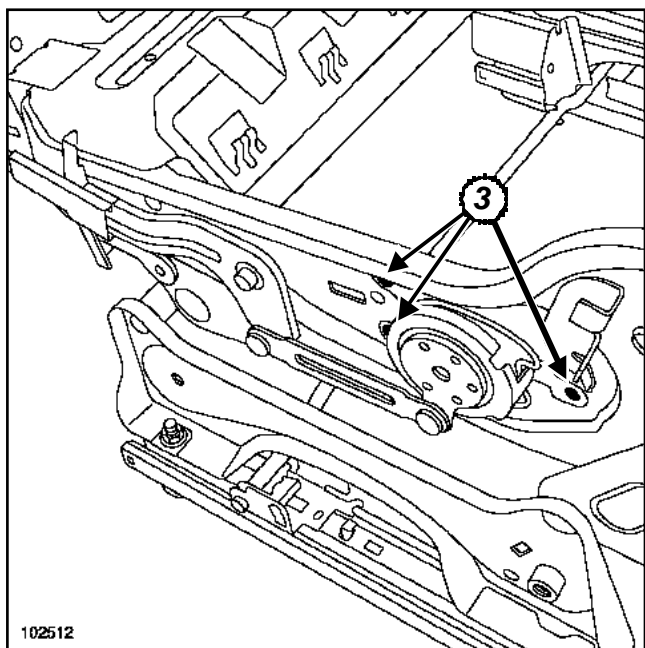
- Remove housing bolt (2).
- Remove the housing.

FRONT SEAT TRIM

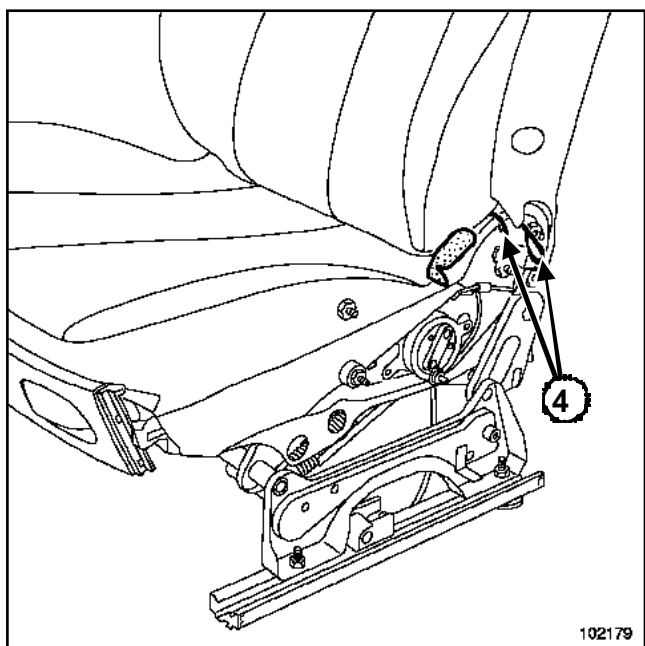
Front seat base trim: Removal - Refitting

77A

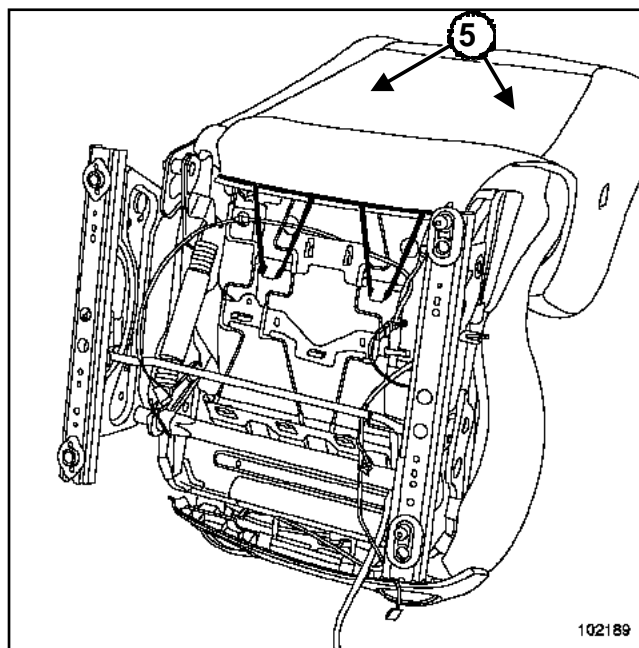
B84 or C84



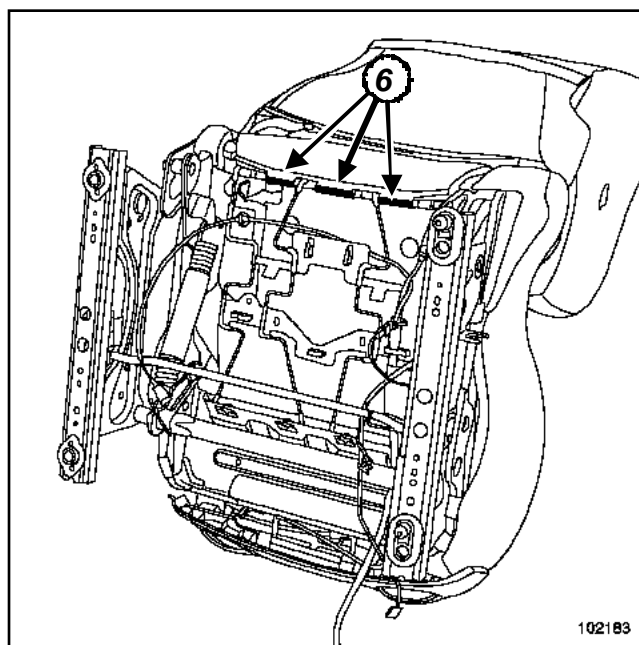
- Adjust the seat base to the upper position (spring detensioned as much as possible).
- Remove:
 - height adjustment mechanism rivets (3),
 - the mechanism,
 - the control.
- Clean the shaft splines.



- Remove:
 - cover rubber bands (4),
 - the cover flap.



- Remove the seatback cover lower retaining rubber bands.
- Unclip the retaining clips (5) at the back of the cover.



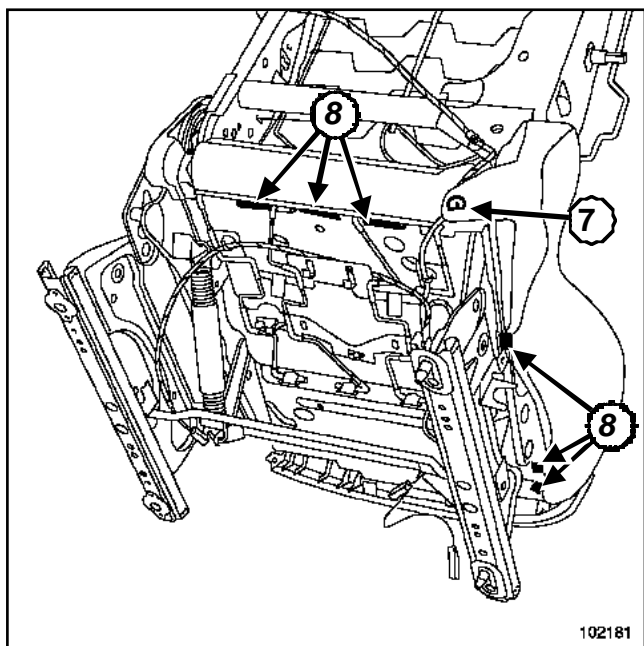
- Remove the seatback cover retaining strips (6).

FRONT SEAT TRIM

Front seat base trim: Removal - Refitting

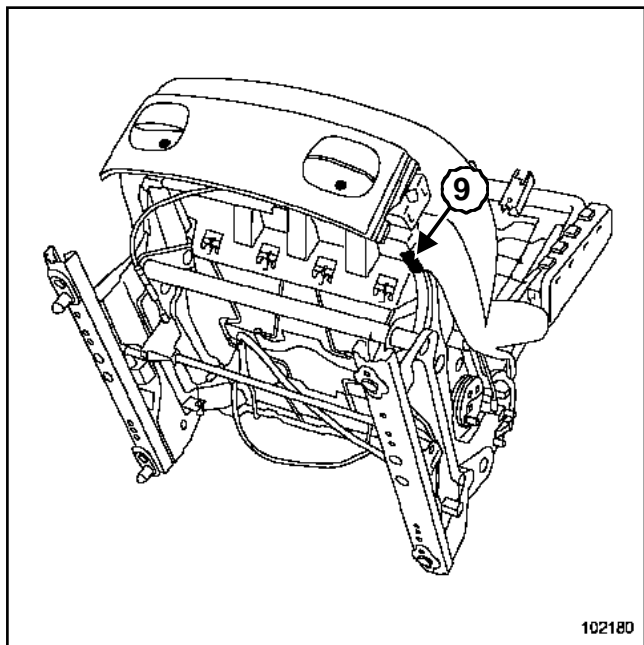
77A

B84 or C84



102181
102181

- Remove clip (7).
- Remove cover retaining strips (8).

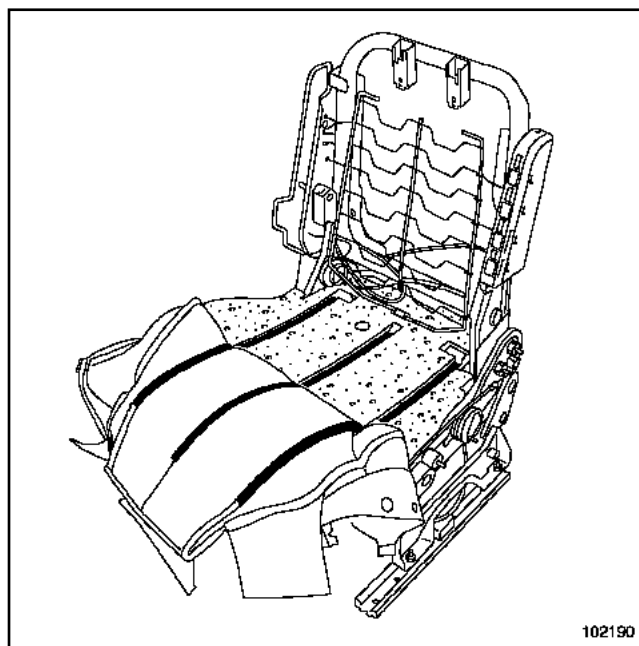


102180
102180

- Remove cover retaining strip (9).

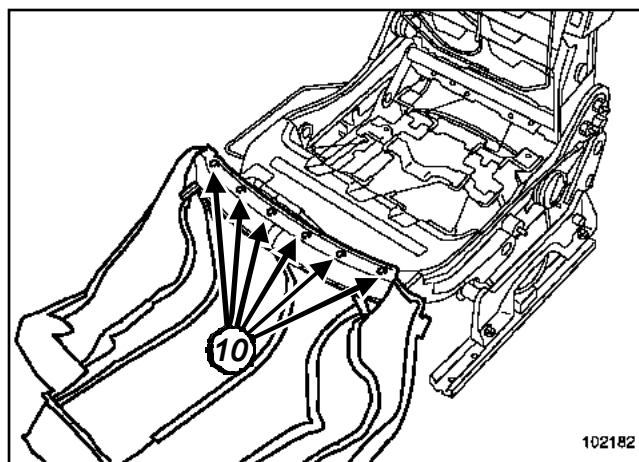
WARNING

Carefully release the cover, holding the Velcro strips on the foam pad in order not to damage the seat base foam.



102190
102190

- Remove:
 - the seat base cover,
 - the foam.



102182
102182

- Remove cover clips (10).

REFITTING

- Proceed in the reverse order to removal.

WARNING

Before refitting the seat base cover, check that the Velcro strips are properly fastened to the seatback foam.

REAR SEAT LINING

78A

1/3 and 2/3 rear bench seat seatback trim: Removal - Refitting

B84 or C84

Special tooling required

Car. 1558

Clips for zip fasteners

Tightening torques

seatback frame mounting bracket bolt

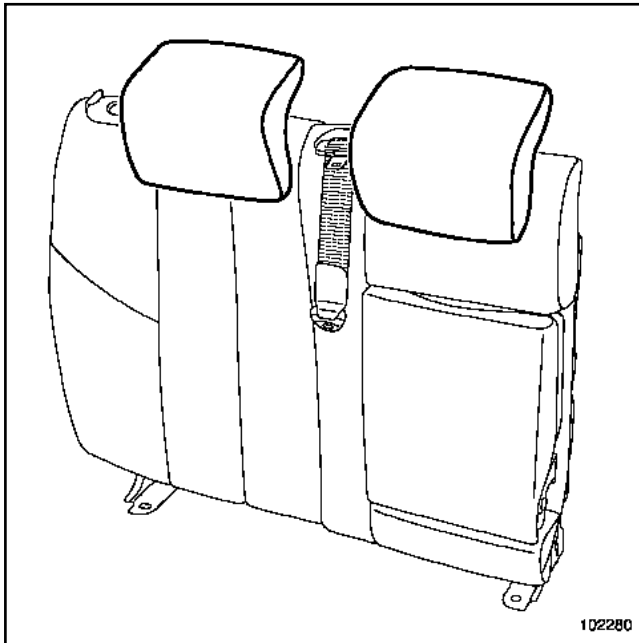
35 Nm

armrest mounting bolt

18 Nm

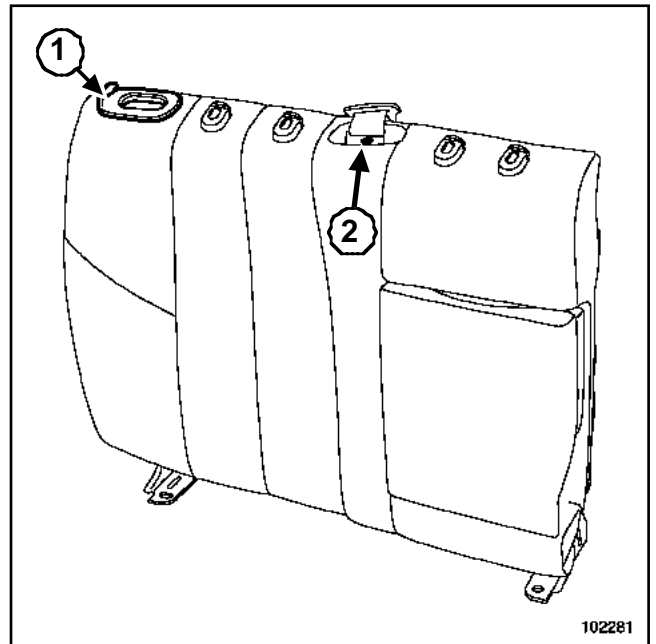
REMOVAL

- ❑ Remove the seatback (see 76A, Rear seat frames and runners, Complete 1/3-2/3 seatback).



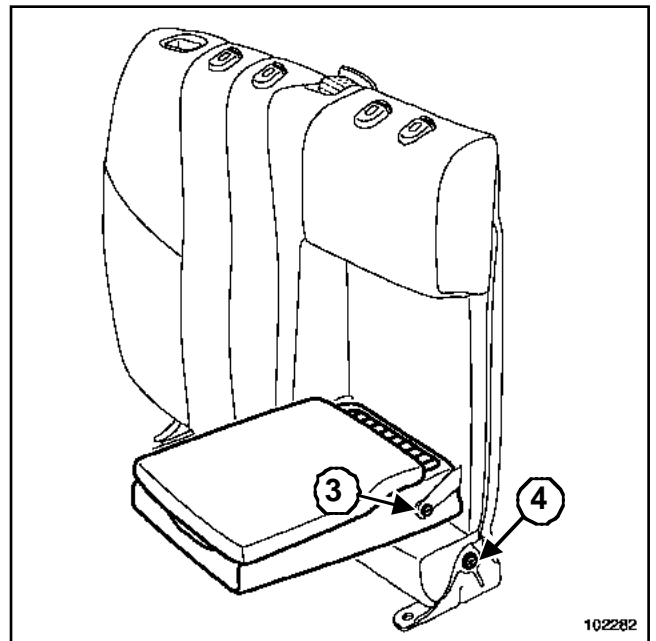
102280

- ❑ Remove the headrests.



102281

- ❑ Unclip unlocking mechanism trim (1).
- ❑ Remove bolt (2).
- ❑ Remove the trim from the seat belt strap.



102282

- ❑ Remove bolts (3) and (4).
- ❑ Remove:
 - the armrest from its mounting,
 - the seatback mounting bracket .

REAR SEAT LINING

78A

1/3 and 2/3 rear bench seat seatback trim: Removal - Refitting

B84 or C84



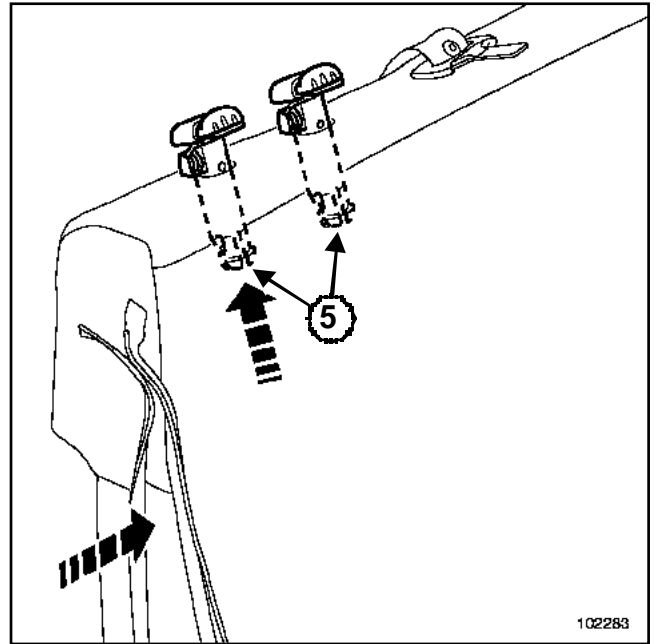
102276

- ❑ Open the zip fasteners.



102277

- ❑ Partially remove the cover to access the headrest guides.



102283

102283

- ❑ Apply pressure to guide clips (5).
- ❑ Remove the headrest guides carefully to avoid damaging the upper section of the cover.



102278

102278

- ❑ Unclip the cardboard trim.

WARNING

When separating the « cover from the foam », hold the Velcro strips (to avoid damaging the foam).

REAR SEAT LINING

1/3 and 2/3 rear bench seat seatback trim: Removal - Refitting

78A

B84 or C84



102279

- Remove the Velcro strips.

REFITTING

- Tighten to torque:
 - the **seatback frame mounting bracket bolt (35 Nm)**,
 - the **armrest mounting bolt (18 Nm)**.
- Proceed in the reverse order to removal.
- Use tool (**Car. 1558**) (blue) for the zip fastener on the cover.

1/3 and 2/3 rear bench seat trim: Removal - Refitting

B84 or C84

REMOVAL

- ❑ Remove the seat base (see 76A, Rear seat frames and runners, Complete seat base).



102273

- ❑ Remove the cover retaining strips.

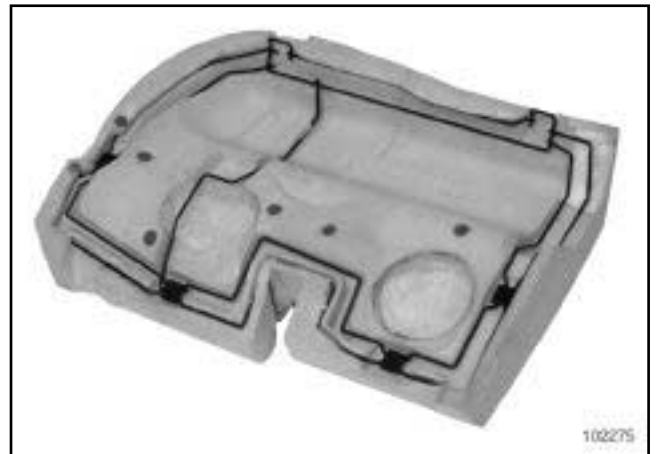
WARNING

When separating the « cover from the foam », hold the Velcro strips (to avoid damaging the foam).



102274

- ❑ Remove the Velcro strips.



102275

102275

- ❑ Remove the frame.

REFITTING

- ❑ Proceed in the reverse order to removal.

REAR SEAT LINING

78A

Rear bench seat single unit seatback trim: Removal - Refitting

B84 or C84

Special tooling required

Car. 1558

Clips for zip fasteners

Tightening torques

seatback frame mounting bracket bolts

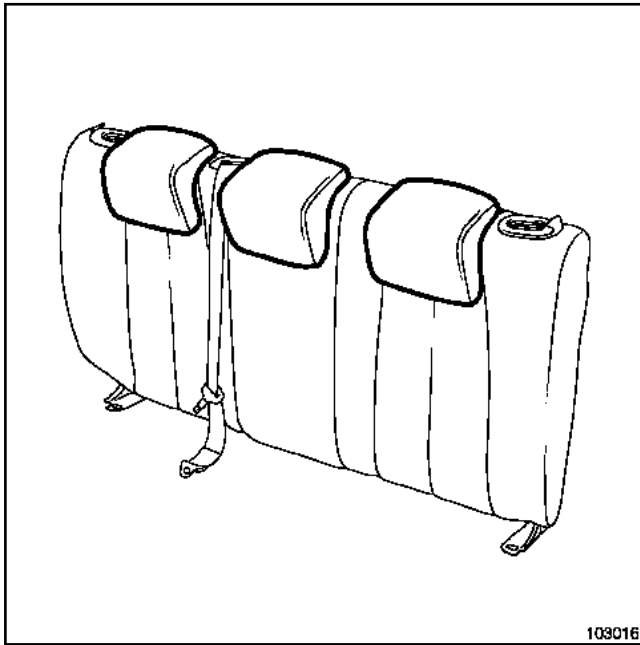
35 Nm

armrest mounting bolt

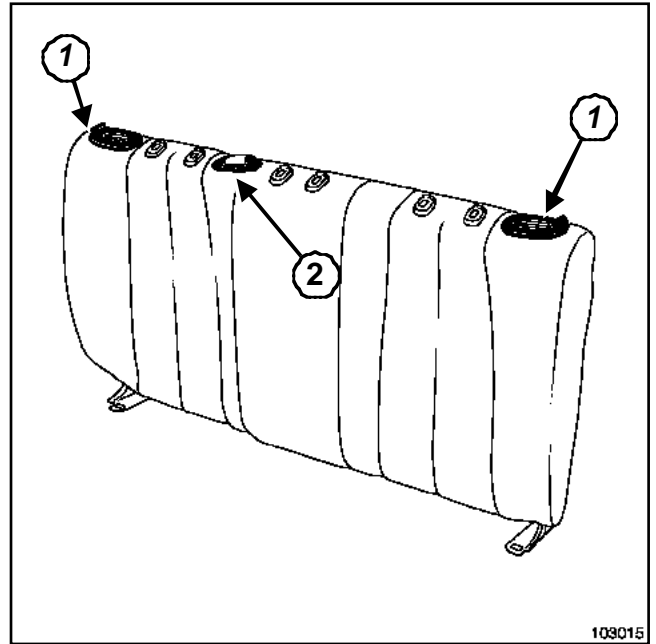
18 Nm

REMOVAL

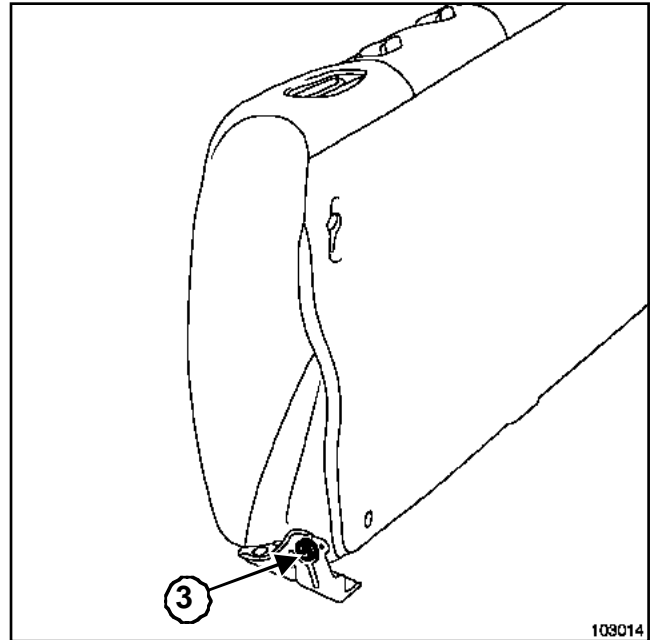
- Remove the seatback (see 76A, Rear seat frames and runners, Complete seat base).



- Remove the headrests.



- Unclip unlocking control trims (1).
- Remove bolt (2).
- Remove the trim from the seat belt strap.



- Remove bolts (3).

REAR SEAT LINING

Rear bench seat single unit seatback trim: Removal - Refitting

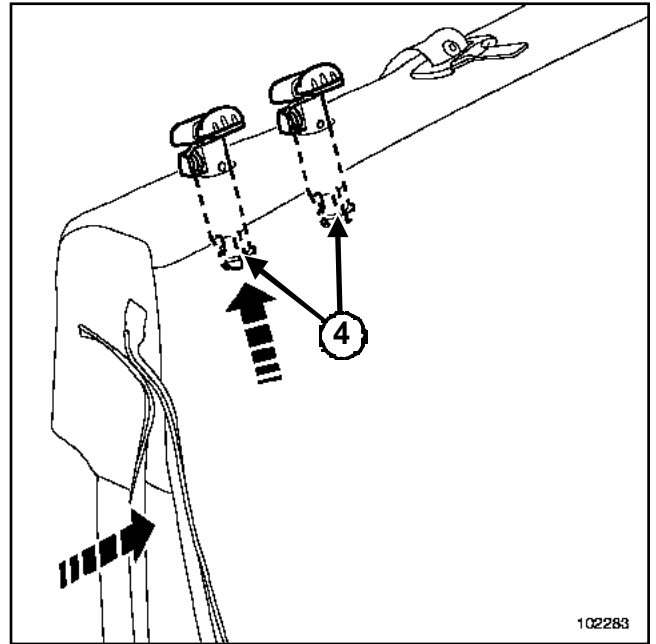
78A

B84 or C84



103011

- Open the zip fasteners.
- Remove clips.
- Partially remove the cover to access the headrest guides.



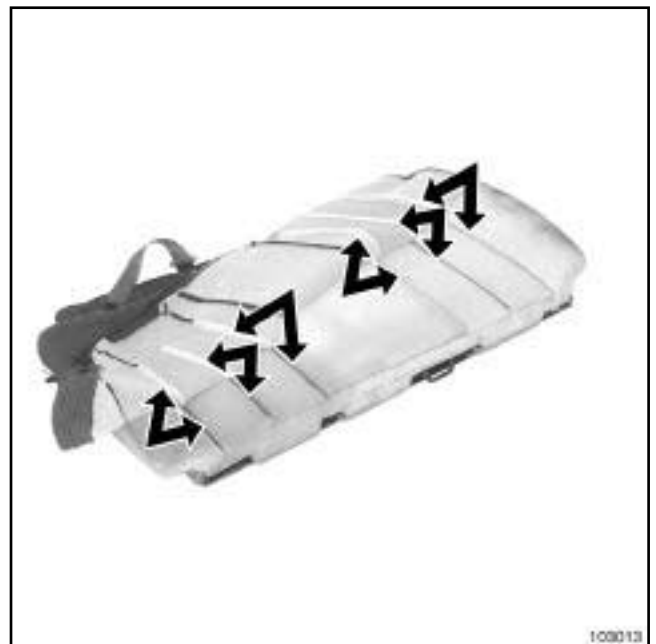
102283

102283

- Apply pressure to guide clips (4).
- Remove the headrest guides carefully to avoid damaging the upper section of the cover.

WARNING

When separating the « cover from the foam », hold the Velcro strips (to avoid damaging the foam).



103013

103013

- Remove the Velcro strips.

REAR SEAT LINING

Rear bench seat single unit seatback trim: Removal - Refitting

78A

B84 or C84

REFITTING

- Proceed in the reverse order to removal.
- Use tool **(Car. 1558)** (blue) for the zip fastener on the cover.
- Tighten to torque:
 - the **seatback frame mounting bracket bolts (35 Nm)**
 - the **armrest mounting bolt (18 Nm)**

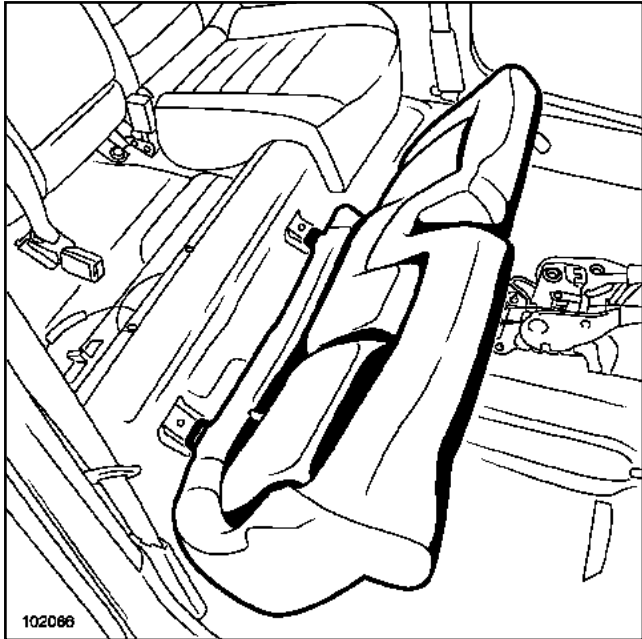
REAR SEAT LINING

78A

Rear bench seat single unit seat base trim: Removal - Refitting

B84 or C84

REMOVAL



102066

- Tip up the seat base.
- Unclip the seat base.



103008
103008

- Remove the cover retaining strips.
-

WARNING

When separating the « cover from the foam », hold the Velcro strips (to avoid damaging the foam).



103009
103009

- Remove the Velcro strips.



103010
103010

- Remove the frame.

REFITTING

- Proceed in the reverse order to removal.